

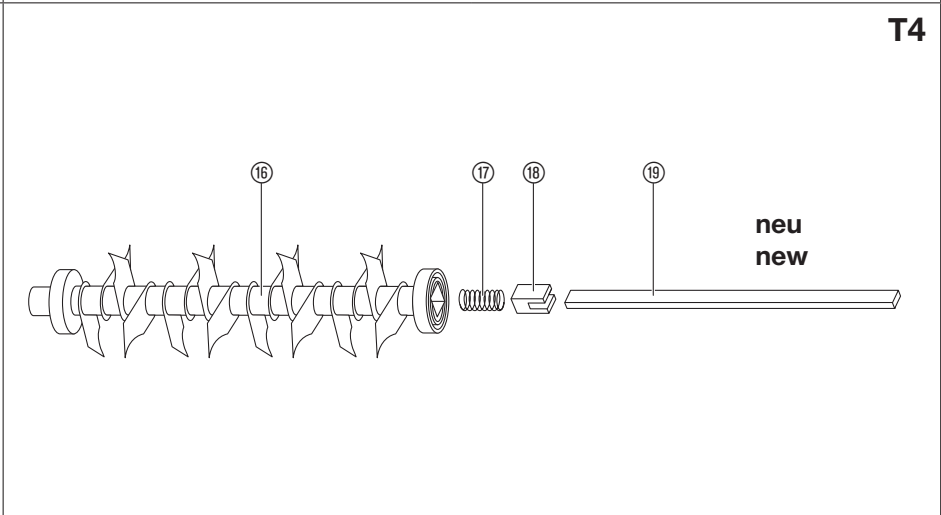
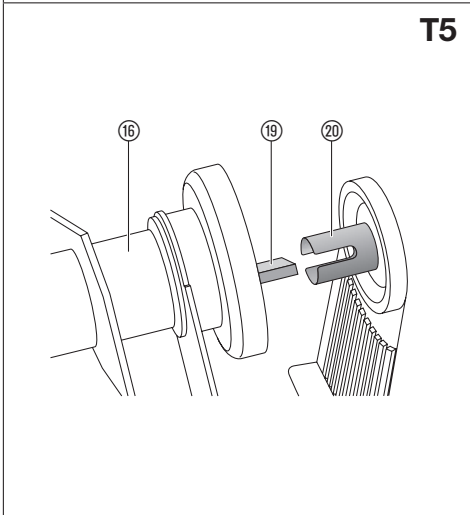
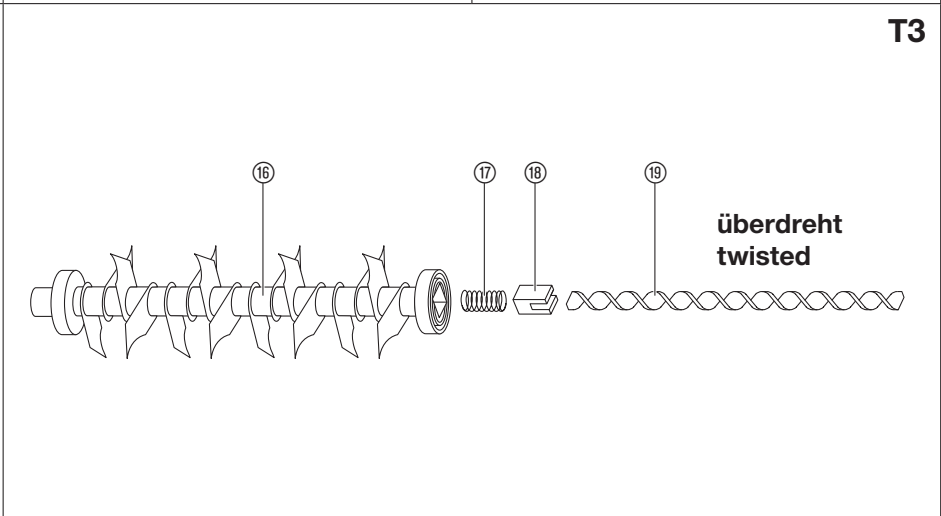
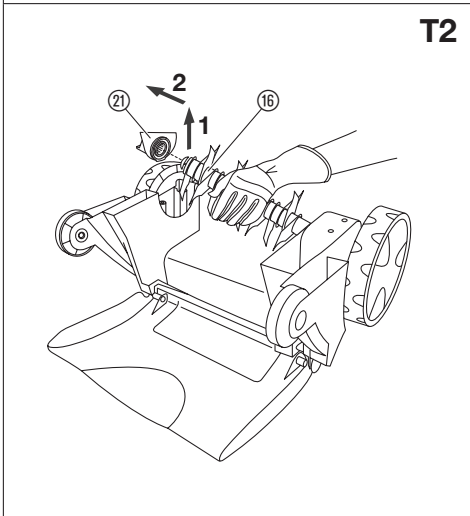
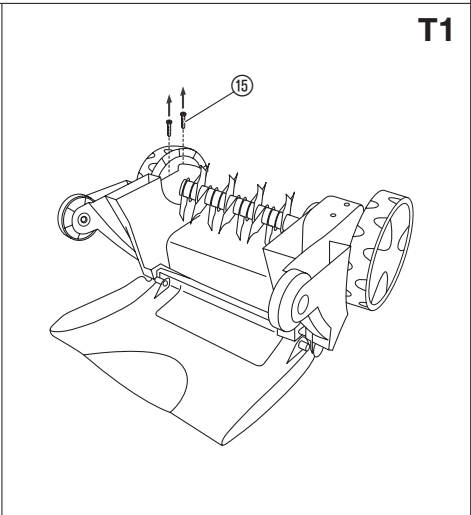
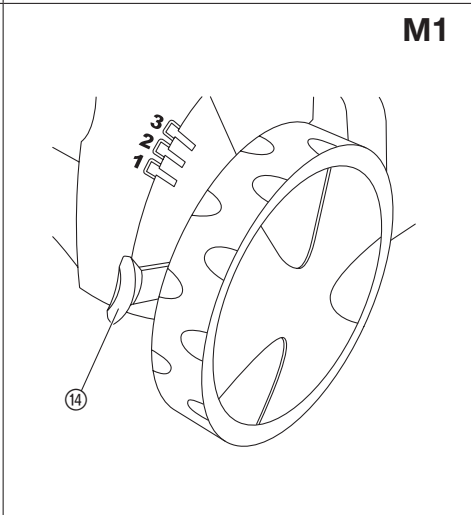
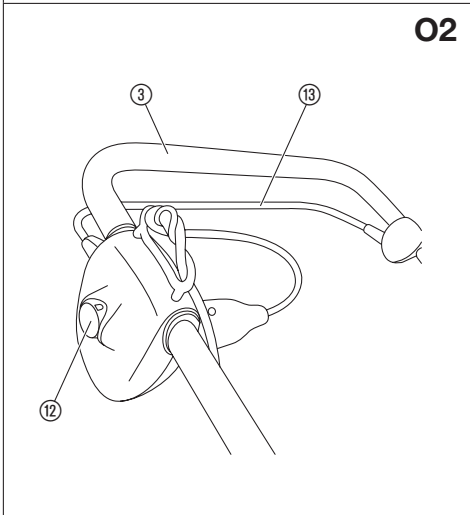
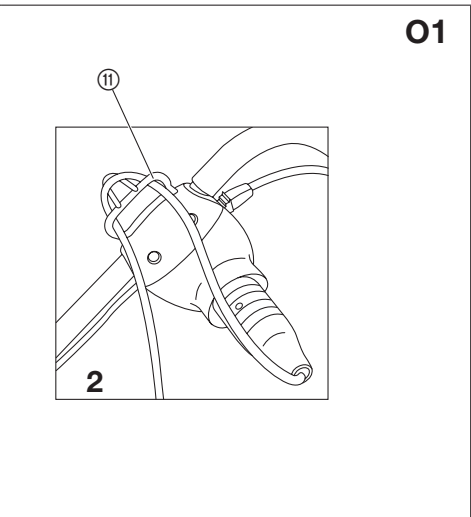
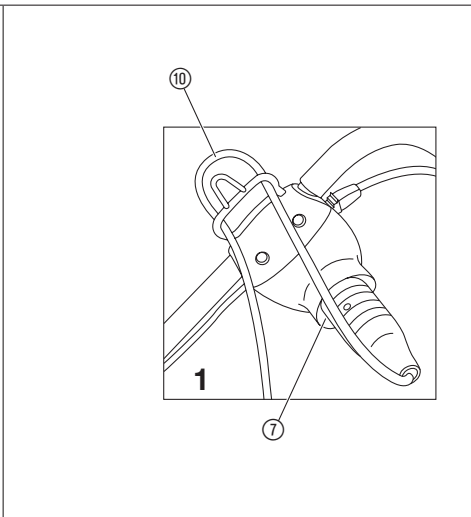
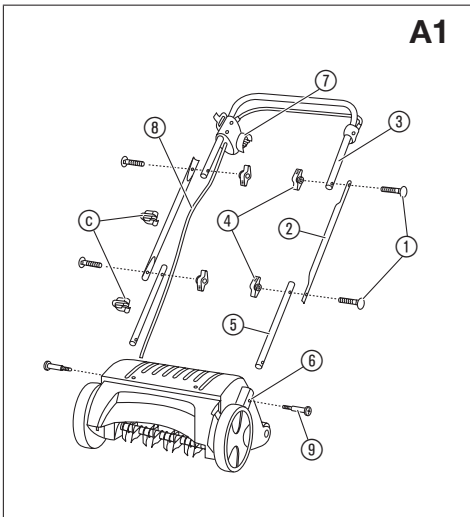
EVC 1000

Art. 4068

**EN Operator's manual**  
Electric Aerator


---

<p><b>DE Produkthaftung</b> Wir weisen ausdrücklich darauf hin, dass wir in Übereinstimmung mit dem Produkthaftungsgesetz nicht für Schäden haften, die durch unsere Produkte entstehen, wenn diese unsachgemäß und nicht durch einen von uns autorisierten Servicepartner repariert wurden oder wenn keine Original GARDENA Teile oder von uns zugelassene Teile verwendet wurden.</p>
<p><b>EN Product liability</b> In accordance with the German Product Liability Act, we hereby expressly declare that we accept no liability for damage incurred from our products where said products have not been properly repaired by a GARDENA-approved service partner or where original GARDENA parts or parts authorised by GARDENA were not used.</p>
<p><b>FR Responsabilité</b> Conformément à la loi relative à la responsabilité du fait des produits défectueux, nous déclarons expressément par la présente que nous déclinons toute responsabilité pour les dommages résultant de nos produits, si lesdits produits n'ont pas été correctement réparés par un partenaire d'entretien agréé GARDENA ou si des pièces d'origine GARDENA ou des pièces agréées GARDENA n'ont pas été utilisées.</p>
<p><b>NL Productaansprakelijkheid</b> Conform de Duitse wet inzake productaansprakelijkheid verklaren wij hierbij uitdrukkelijk dat wij geen aansprakelijkheid aanvaarden voor schade ontstaan uit onze producten waarbij deze producten niet zijn gerepareerd door een GARDENA-erkende servicepartner of waarbij geen originele GARDENA-onderdelen of onderdelen die door GARDENA zijn goedgekeurd zijn gebruikt.</p>
<p><b>SV Produktansvar</b> I enlighet med tyska produktansvarslagar förklarar vi härmed uttryckligen att vi inte åtar oss något ansvar för skador som orsakas av våra produkter där produkterna inte har genomgått korrekt reparation från en GARDENA-godkänd servicepartner eller där originaldelar från GARDENA eller delar godkända av GARDENA inte använts.</p>
<p><b>DA Produktansvar</b> I overensstemmelse med den tyske produktansvarslov erklærer vi hermed udtrykkeligt, at vi ikke påtager os noget ansvar for skader på vores produkter, hvis de pågældende produkter ikke er blevet repareret korrekt af en GARDENA-godkendt servicepartner, eller hvor der ikke er brugt originale GARDENA-reservedele eller godkendte reservedele fra GARDENA.</p>
<p><b>FI Tuotevastuu</b> Saksan tuotevastuulain mukaisesti emme ole vastuussa laitteiden vaurioista, jos korjauksia ei ole tehnyt GARDENA:n hyväksymä huoltoliike tai jos niiden syynä on muiden kuin alkuperäisten GARDENA-varaosien tai GARDENA:n hyväksymien varaosien käyttö.</p>
<p><b>IT Responsabilità del prodotto</b> In conformità con la Legge tedesca sulla responsabilità del prodotto, con la presente dichiariamo espressamente che decliniamo qualsiasi responsabilità per danni causati dai nostri prodotti qualora non siano stati correttamente riparati presso un partner di assistenza approvato GARDENA o laddove non siano stati utilizzati ricambi originali o autorizzati GARDENA.</p>
<p><b>ES Responsabilidad sobre el producto</b> De acuerdo con la Ley de responsabilidad sobre productos alemana, por la presente declaramos expresamente que no aceptamos ningún tipo de responsabilidad por los daños ocasionados por nuestros productos si dichos productos no han sido reparados por un socio de mantenimiento aprobado por GARDENA o si no se han utilizado piezas originales GARDENA o piezas autorizadas por GARDENA.</p>
<p><b>PT Responsabilidade pelo produto</b> De acordo com a lei alemã de responsabilidade pelo produto, declaramos que não nos responsabilizamos por danos causados pelos nossos produtos, caso os tais produtos não tenham sido devidamente reparados por um parceiro de assistência GARDENA aprovado ou se não tiverem sido utilizadas peças GARDENA originais ou peças autorizadas pela GARDENA.</p>
<p><b>PL Odpowiedzialność za produkt</b> Zgodnie z niemiecką ustawą o odpowiedzialności za produkt, niniejszym wyraźnie oświadczamy, że nie ponosimy żadnej odpowiedzialności za szkody poniesione na skutek użytkowania naszych produktów, w przypadku gdy naprawa tych produktów nie była odpowiednio przeprowadzana przez zatwierdzonego przez firmę GARDENA partnera serwisowego lub nie stosowano oryginalnych części GARDENA albo części autoryzowanych przez tę firmę.</p>
<p><b>HU Termékszavatosság</b> A németországi termékzavatossági törvénnyel összhangban ezennel nyomatékosan kijelentjük, hogy nem vállalunk felelősséget a termékeinkben keletkezett olyan károkért, amelyek valamely GARDENA által jóváhagyott szervizpartner által nem megfelelően végzett javításból adódtak, vagy amely során nem eredeti GARDENA alkatrészeket vagy a GARDENA által jóváhagyott alkatrészeket használtak fel.</p>
<p><b>CS Odpovědnost za výrobek</b> V souladu s německým zákonem o odpovědnosti za výrobek tímto výslovně prohlašujeme, že nepřijímáme žádnou odpovědnost za poškození vzniklá na našich výrobcích, kdy zmíněné výrobky nebyly řádně opraveny schváleným servisním partnerem GARDENA nebo kdy nebyly použity originální náhradní díly GARDENA nebo náhradní díly autorizované společností GARDENA.</p>
<p><b>SK Zodpovednosť za produkt</b> V súlade s nemeckými právnymi predpismi upravujúcimi zodpovednosť za výrobok týmto výslovné prehlasujeme, že nenesieme žiadnu zodpovednosť za škody spôsobené našimi výrobkami, v prípade ktorých neboli náležité opravy vykonané servisným partnerom schváleným spoločnosťou GARDENA alebo neboli použité diely spoločnosti GARDENA alebo diely schválené spoločnosťou GARDENA.</p>
<p><b>EL Ευθύνη προϊόντος</b> Σύμφωνα με τον γερμανικό νόμο περί Ευθύνης για τα Προϊόντα, με το παρόν δηλώνουμε ρητώς ότι δεν αποδεχόμαστε καμία ευθύνη για τυχόν ζημιές που προκύπτουν από τα προϊόντα μας εάν αυτά δεν έχουν επισκευαστεί σωστά από κάποιον συγκεκριμένο συνεργάτη επισκευών της GARDENA ή εάν δεν έχουν χρησιμοποιηθεί αυθεντικά εξαρτήματα GARDENA ή εξαρτήματα συγκεκριμένα από την GARDENA.</p>
<p><b>SL Odgovornost proizvajalca</b> V skladu z nemškimi zakoni o odgovornosti za izdelke, izrecno izjavljajo, da ne sprejemamo nobene odgovornosti za škodo, ki jo povzročijo naši izdelki, če teh niso ustrezno popravili GARDENINI odobreni servisni partnerji ali pri tem niso bili uporabljeni originalni GARDENINI nadomestni deli ali GARDENINIMI homologiranimi nadomestnimi deli.</p>
<p><b>HR Pouzdanost proizvoda</b> Sukladno njemačkom zakonu o pouzdanosti proizvoda, ovime izričito izjavljujemo kako ne prihvaćamo nikakvu odgovornost za oštećenja na našim proizvodima nastala uslijed neispravnog popravka od strane servisnog partnera kojeg odobrava GARDENA ili uslijed nekorištenja originalnih GARDENA dijelova ili dijelova koje odobrava GARDENA.</p>
<p><b>RO Răspunderea pentru produs</b> În conformitate cu Legea germană privind răspunderea pentru produs, declarăm în mod expres prin prezentul document că nu acceptăm nicio răspundere pentru defecțiunile suferite de produsele noastre atunci când acestea nu au fost reparate în mod corect de un atelier de service partener, aprobat de GARDENA, sau când nu au fost utilizate piese GARDENA originale sau piese autorizate de GARDENA.</p>
<p><b>BG Отговорност за вреди, причинени от стоки</b> Съгласно германския Закон за отговорността за вреди, причинени от стоки, с настоящото изрично декларираме, че не носим отговорност за щети, причинени от нашите продукти, ако те не са били правилно ремонтирани от одобрен от GARDENA сервиз или ако не са използвани оригинални части на GARDENA или части, одобрени от GARDENA.</p>
<p><b>ET Tootevastutus</b> Vastavalt Saksamaa tootevastutusseadusele deklareerime käesolevaga selgesõnaliselt, et me ei kanna mingisugust vastutust meie toodetest tingitud kahjude eest, kui need tooted ei ole korrektselt parandatud GARDENA heakskiidetud hoolduspartneri poolt või kui parandamisel ei ole kasutatud GARDENA originaalosi või GARDENA volitatud osi.</p>
<p><b>LT Gaminio patikimumas</b> Mes aiškiai pareiškiame, kad, atsižvelgiant į Vokietijos gaminių patikimumo įstatymą, nepriisiame atsakomybės dėl bet kokios žalos, patirtos dėl mūsų gaminių, jeigu jie buvo netinkamai taisomi arba jų dalys buvo pakeistos neoriginaliomis GARDENA dalimis ar nepatvirtintomis dalimis, arba jeigu remonto darbai buvo atliekami ne GARDENA techninės priežiūros centro specialistų.</p>
<p><b>LV Atbildība par produkcijas kvalitāti</b> Saskaņā ar Vācijas likumu par atbildību par produkcijas kvalitāti ar šo mēs paziņojam, ka neuzņemamies atbildību par bojājumiem, kas radušies, lietojot mūsu izstrādājumus, kuru remontu nav veicis uzņēmuma GARDENA apstiprināts apkopes partneris vai kuru remontam netika izmantotas oriģinālās GARDENA detaļas vai detaļas, kuru lietošanu apstiprinājis uzņēmums GARDENA.</p>



1. SAFETY	8
2. FUNCTION	9
3. ASSEMBLY	9
4. OPERATION	9
5. MAINTENANCE	10
6. STORAGE	10
7. TROUBLESHOOTING	10
8. TECHNICAL DATA	11
9. ACCESSORIES	11
10. SERVICE/WARRANTY	11


Translation of the original instructions.

 This product may be used under supervision, or if instruction regarding the safe use of the product has been provided and the resulting dangers have been understood, by children aged 8 and above, as well as by persons with physical, sensory or mental disabilities or a lack of experience and knowledge. Children must not be allowed to play with the product. Cleaning and user maintenance must not be performed by children without supervision. The use of this product by young people under the age of 16 is not recommended.

Intended use:





The **GARDENA Electric Aerator EVC 1000** is designed for aerating lawns and grassy areas in private domestic and hobby gardens. It is not designed for use in public facilities, parks, sporting grounds, on roads, in agriculture or forestry.

Compliance with these instructions provided by GARDENA is a prerequisite for using the Electric Aerator correctly.

 **DANGER! Risk of injury!**  
 → To prevent injury, the Electric Aerator must not be used for trimming bushes, hedges and shrubs. In addition, the Electric Aerator must not be used for levelling irregularities in the soil.

1. SAFETY

Symbols on the product:

-  **IMPORTANT!**  
→ Read operator's manual.
-  **DANGER!**  
Keep bystanders away.
-  **DANGER! Electric shock!**  
Keep supply flexible cord away from tines.
-  **WARNING!**  
Beware of sharp tines, keep fingers and toes away.

Remove plug from mains before maintenance, adjusting, cleaning or if the cord is entangled or damaged.

Tines continue to rotate after the motor is switched off.

1. General

This annex presents safe operating practices for all machine types covered by this standard.

**IMPORTANT!**  
**READ CAREFULLY BEFORE USE. KEEP FOR FUTURE REFERENCE.**

2. Safe operating practices for scarifiers/aerators

2.1 Training

- a) Read the instructions carefully. Be familiar with the controls and the correct use of the equipment.
- b) Never allow **children** or people unfamiliar with these instructions to use the machine. Local regulations can restrict the age of the operator.

- c) Keep in mind that the operator or user is responsible for accidents or hazards occurring to other people or their property.

2.2 Preparation

- a) Wear ear protection and safety glasses at all times while operating the machine.
- b) Before use check the supply and extension cord for signs of damage or aging. If the cord becomes damaged during use, disconnect the cord from the supply immediately.

**DO NOT TOUCH THE CORD BEFORE DISCONNECTING THE SUPPLY.**

Do not use the machine if the cord is damaged or worn.

- c) While operating the machine always wear substantial footwear and long trousers. Do not operate the machine when barefoot or wearing open sandals. Avoid wearing clothing that is loose fitting or that has hanging cords or ties.
- d) Thoroughly inspect the area where the equipment is to be used and remove all objects which can be thrown by the machine.
- e) Operate the machine in a recommended position and only on a firm, level surface.
- f) Do not operate the machine on a paved or gravel surface where ejected material could cause injury.
- g) Before starting the machine, check that all screws, nuts, bolts, and other fasteners are properly secured and that guards and screens in place. Replace damaged or unreadable labels.
- h) Never operate the machine while people, especially children, or pets are nearby.

2.3 Operation

- a) Operate the machine only in daylight or in good artificial light.
- b) Avoid operating the machine in wet grass.
- c) Always be sure of your footing at all times, especially on slopes.
- d) Walk, never run.
- e) Mow across the face of slopes, never up and down.
- f) Exercise extreme caution when changing direction on slopes.
- g) Do not scarify or aerate excessively steep slopes.
- h) Use extreme caution when reversing or pulling the machine towards you.
- i) Stop the **tines** if the machine has to be tilted for transportation when crossing surfaces other than grass, and when transporting the machine to and from the area to be used.
- j) Never operate the machine with defective **guards** or shields, or without safety devices, for example deflectors and/or grass collector, in place.
- k) Switch on the motor carefully according to instructions and with feet well away from the **tines**.
- l) Keep supply and extension cord away from **tines**.
- m) Do not tilt machine when switching on the motor, except if the machine has to be tilted for starting. In this case, do not tilt it more than absolutely necessary and lift only the part which is away from the operator. Always ensure that both hands are in the operating position before returning the machine to the ground.
- n) Do not transport the machine while the power source is running.
- o) Do not put hands or feet near or under rotating parts. Keep clear of the **discharge opening** at all times.
- p) Stop the machine, and remove plug from the socket. Make sure that all moving parts have come to a complete stop:
  - 1) whenever you leave the machine,
  - 2) before clearing blockages or unclogging chute,
  - 3) before checking, cleaning or working on the machine,
  - 4) after striking a foreign object. Inspect the machine for damage and make repairs before restarting and operating the machine;
 if the machine starts to vibrate abnormally (check immediately):
  - 5) inspect for damage,
  - 6) replace or repair any damaged parts,
  - 7) check for and tighten any loose parts.

2.4 Maintenance and storage

- a) Keep all nuts, bolts and screws tight to be sure the equipment is in safe working condition.
- b) Check the debris collector frequently for wear or deterioration.
- c) Replace worn or damaged parts for safety.
- d) On machines with multiple **tine** assemblies, take care as rotating one **tine** assembly can cause another **tine** assembly to rotate.
- e) Be careful during adjustment of the machine to prevent entrapment of the fingers between moving **tine** assemblies and fixed parts of the machine.
- f) Always allow the machine to cool down before storing.
- g) When servicing the **tine** assembly be aware that, even though the power source is switched off, the tine assembly can still be moved.
- h) Replace worn or damaged parts for safety. Use only genuine replacement parts and accessories.
- i) When the machine is stopped for servicing, inspection, or storage, or to change an accessory, shut off the power source, disconnect the machine from the supply and make sure that all moving parts are come to a complete stop. Allow the machine to cool before making any inspections, adjustments, etc. Maintain the machine with care and keep it clean.
- j) Store the machine out of the reach of **children**.

## 2.5 Recommendation

The machine should be supplied via a residual current device (RCD) with a tripping current of not more than 30 mA.

### Electrical safety



**DANGER! Electric shock!**  
**Risk of injury due to electric shock.**

Disconnect the product from the mains before you do maintenance or you replace parts. Thereby the disconnected socket must be in the visual range.

### Cables

If extension cables are used, these must comply with the minimum cross-sections in the table below:

Voltage	Cable length	Cross section
220 – 240 V / 50 Hz	up to 20 m	1.5 mm <sup>2</sup>
220 – 240 V / 50 Hz	20 – 50 m	2.5 mm <sup>2</sup>

- Mains cables and extensions are available from your local Approved Service Centre.
- Only use extension cables specifically designed for outdoor use and which conform to one of the following specifications:  
Ordinary rubber (60245 IEC 53), Ordinary PVC (60227 IEC 53) or Ordinary PCP (60245 IEC 57).
- If the short connection lead is damaged, it must be replaced by the manufacturer, its service agent or similarly qualified persons in order to avoid a hazard.

Attachment fittings must be used for extension cables.

In Switzerland use of a residual-current device is obligatory.

### Checks before each use

→ Inspect the Electric Aerator before each use.

For safety reasons, allow all worn out and damaged parts to be exchanged by GARDENA Service or authorised specialist dealers.

### Proper use/Responsibility



**RISK OF PHYSICAL INJURY!**  
**The Aerator can cause serious injuries!**

- **Keep hands and feet away from the aerator cylinder.**
- During use do not tip the unit and do not open the rear flap.
- Familiarise yourself with the surroundings of your working area. Check for possible risks which might be not audible due to the noise of the machine.
- Always push the Aerator at a walking pace.
- **Attention! Take extra care when walking backwards. You may stumble!**
- Do not use the aerator if it is raining or in moist, wet conditions.
- Do not use the product when a thunderstorm is approaching.
- Do not work close to the edge of swimming pools or garden ponds with the aerator.
- Please observe any local restrictions relating to noise levels.

### Do not overload the product.

The product is not intended for long term use.

Don't work until exhaustion.

Do not operate the product in explosive atmospheres, such as in the presence of flammable liquids, gases or dust.

Never operate the product when you are tired, ill or under the influence of alcohol, drugs or medicine.



**DANGER! Cardiac arrest!**

**This product makes an electromagnetic field while it operates. This field may under some conditions interfere with active or passive medical implants. To decrease the risk of conditions that can possibly injure or kill, we recommend persons with medical implants to speak with their physician and the medical implant manufacturer before you operate the product.**



**DANGER! Risk of suffocation!**

Small parts can be easily swallowed. There is also a risk that the poly-bag can suffocate toddlers. Keep toddlers away when you assemble the product.

## 2. FUNCTION

### Correct aerating:

The Aerator can be used for removing matting and moss in the lawn as well as for cutting flat-rooting rinks.

To maintain a well-cared-for lawn, we recommend aerating the lawn twice a year: in the spring and in the autumn.

→ First of all, mow your lawn to the length you require.

*We particularly recommend this if the grass has grown tall (e.g. while you were away on holiday).*

Recommendation: the shorter you mow your lawn, the easier it is to aerate, thus lessening the strain on the Aerator and increasing the life-time of the aerator cylinder.

Remaining in one spot too long, or aerating if the ground is wet or too dry can damage the grass.

→ For good results, guide the Aerator at an appropriate speed in strips as straight as possible across your lawn.

To avoid leaving any gaps during aerating, the strips should touch.

→ Always guide the Aerator at an even speed depending on the type of ground.

→ When working on inclines always stand diagonally to the incline in a sturdy, safe stance. Do not work on extremely steep slopes.



**Danger of tripping!**

**To prevent tripping take particular care when moving backwards and when pulling the Aerator.**

When aerating areas of very mossy lawn we recommend resowing the lawn after aerating. This helps the areas of lawn which were replaced by moss to regenerate more quickly.

## 3. ASSEMBLY

### Assembling the handle [Fig. A1]:



→ **Do not place the connecting cable ⑧ under strain during assembly.**

- Insert the two lower sections of the upright ⑤ (with the end with the round hole) in the mountings in the motor casing ⑥ and secure with the crosshead screws ⑨.
- Insert the two locking bolts ① from outside through the holes in the two central sections ② of the upright and secure to the lower sections of the upright ⑤ with two wing nuts ④.
- Screw the upper part of the upright with starting handle ③ to the central sections of the upright ② with two more locking bolts ① and the wing nuts ④.  
*This completes the assembly of the handle.*

**Warning: Fit the upper section of the upright with starting handle ③ in such a way that the plug ⑦ with the power cable ⑧ is on the right side (in direction of movement) (see Fig.).**

- Attach connection cable ⑧ to the handle with the two cable clips ③.

## 4. OPERATION

### Connect extension cable [Fig. O1]:

- Push connector of extension cable ⑩ on to the plug ⑦.
- Draw a loop of the extension cable ⑩ through the cable strain relief device ⑪ 1 and suspend in position 2.  
*This prevents inadvertent disconnection of the plug and socket connection.*
- Insert extension cable ⑩ into a mains socket.

### Starting Aerator [Fig. O2]:



**DANGER! Risk of injury!**

**Danger of injury if the Aerator does not switch off automatically!**

→ **Do not remove or bridge safety devices fitted to the Aerator (e.g. by tying the starting lever to the upper handle)!**



**DANGER!**

**The Aerator does not stop immediately after the motor has been switched off:**

- **Never lift, tip or carry the Aerator with the motor running!**
- **Never start on solid ground (e.g. asphalt).**
- **Always maintain the safety distance between the aerator cylinder and the user as defined by the guide handle.**

1. Place Aerator on flat grass surface.
2. Keep safety interlock ⑫ pressed down and pull starting lever ⑬ on the upper handle ③.  
*The Aerator starts.*
3. Release safety interlock ⑫.

**When in operation, the extension cable ⑩ must always be guided in the direction you are working and to the side of the area to be worked on.**

**Always work away from the connection cable.**

**Blockage Protection:** If the aerator cylinder is blocked, e.g. by a foreign body, immediately release the starting lever. If the blockage lasts longer than 10 seconds and the starting lever has not been released, blockage protection is activated. In this case immediately release the starting lever. The Aerator can be switched on again after cooling down for approx. 1 minute.

## 5. MAINTENANCE



**DANGER!**

**The aerator cylinder can cause injuries!**

→ Prior to maintenance, unplug from the mains and wait until the Aerator drum has stopped.

→ Wear working gloves for performing maintenance.

### Cleaning Aerator:

The Aerator should be cleaned after each time it is used.



**DANGER! Risk of injury!**

**Risk of injury and risk of damage to the product.**

→ Do not clean the product with water or with a water jet (in particular high-pressure water jet).

→ Do not use hard or pointed objects for cleaning the Aerator.

→ Remove grass and deposits from wheels, aerator cylinder and housing.

### Adjusting for wear [Fig. M1]:

The Aerator is subject to wear in use due to the way in which it works.

The more intensively the Aerator is used, the greater the wear on the knives. Hard or very dry ground accelerates wear as does excessive use of the Aerator.

If the results of your work with the Aerator become increasingly worse due to knife wear, the aerator cylinder can be adjusted twice.

### The aerator cylinder has 4 adjustment positions:

- **Transport position**
- **Aerating position 1**
- **Aerating position 2:**  
First adjustment position after knife wear (aerator cylinder lowered by 3 mm).
- **Setting 3:**  
Second adjustment position after knife wear (aerator cylinder lowered by a further 3 mm).

Push wear compensation lever ⑭ gently away from the housing and move to the position required.

**Note: Wear adjustment is not used for height adjustment. Adjustment of the aerator cylinder without visible wear can cause damage to the aerator cylinder or overload the motor.**

## 6. STORAGE

### To put into storage:

To save space the aerator can be folded up by releasing the wing nuts. **Take care during this process that the cable does not become trapped.**

→ Store the Aerator in a dry, closed room to which children cannot gain access.

### Transport:

1. Switch off motor, unplug from the mains and wait until the aerator cylinder stops.
2. Move the wear compensation to the transport position and raise the aerator when transporting it over sensitive surfaces, e.g. tiles.

### Disposal:

(in accordance with RL2012/19/EC)



The product must not be disposed of to normal household waste. It must be disposed of in line with local environmental regulations.

### IMPORTANT!

→ Dispose of the product through or via your municipal recycling collection centre.

## 7. TROUBLESHOOTING

### Replacing aerator cylinder:



**DANGER!**

**The aerator cylinder can cause injuries!**

→ Prior to rectifying faults, unplug from the mains and wait until the aerator cylinder has stopped.

→ Wear working gloves when rectifying faults.

If the aerator cylinder is in wear adjustment position 3 and is worn, the aerator cylinder must be replaced. Only use the original **GARDENA cylinder for art. 4068** which can be ordered via GARDENA-Service.

1. [Fig. T1]: Unscrew two screws ⑮ on the underside of the housing.
2. [Fig. T2]: Lift aerator cylinder ⑯ at an angle 1 and pull away the drive shaft 2.
3. Remove bearing shell ⑰ from the aerator cylinder ⑯.
4. [Fig. T3 twisted/T4 new]: Push new spring ⑱, new stop ⑲ and new torsion spring ⑲ into the new aerator roller ⑯.
5. [Fig. T5]: Push new aerator cylinder ⑯ on to the drive shaft in such a way that the torsion spring ⑲ is inserted in the gap in the drive shaft ⑳.
6. Push bearing shell ⑰ on to the aerator roller ⑯.
7. Screw bearing shell ⑰ to the underside of the housing ⑮, without tightening too much.
8. Set wear compensation to aerator position 1 (see 5. MAINTENANCE *Adjusting for wear*).

Problem	Possible Cause	Remedy
<b>Abnormal noise, clattering in the unit</b>	Foreign bodies on the aerator cylinder are hitting the Aerator.	1. Switch off the Aerator, remove the mains plug from the socket and wait until the Aerator has stopped rotating.
<b>Whistling sound</b>	Foreign bodies blocking the aerator cylinder.	2. Remove foreign bodies. 3. Check aerator immediately, immediately.
<b>Whistling sound</b>	Cogged belt slipping.	→ Have the machine repaired by GARDENA Service.
<b>Motor will not start</b>	Faulty cable.	→ Check cable.
	The conductor cross-section of the extension cable is possibly too low.	→ Contact your electrician.
<b>Motor cuts out because blocking protection has been activated</b>	Blocked by foreign bodies.	1. Switch off the Aerator, remove the mains plug from the socket and wait until the Aerator has stopped rotating. 2. Remove foreign bodies. 3. After approx. 1 minute switch on the Aerator.
	Aerating depth too large (aerator cylinder has been adjusted for wear without wear to the knives).	1. Leave motor to cool down. 2. Set adjustment for wear correctly.
	The grass is too tall.	→ Mow the lawn before aerating (see 2. FUNCTION <i>Correct Aerating</i> ).
<b>Aerating results are not satisfactory</b>	Aerator cylinder is worn.	→ Adjust aerator cylinder (see 5. MAINTENANCE).
	Cog-belt faulty.	→ Have the machine repaired by GARDENA Service.
	Lawn has grown too tall.	→ Mow the lawn before using the Aerator.
<b>Aerator cylinder no longer turns</b>	Overload protection (torsion spring too short) is overturned.	→ Replace torsion bar.



**NOTE:** For any other malfunctions please contact the GARDENA service department. Repairs must only be done by GARDENA service departments or specialist dealers approved by GARDENA.

## 8. TECHNICAL DATA

<i>Electric Aerator</i>	<b>Unit</b>	<b>Value (Art. 4068)</b>
<b>Rated power</b>	W	1,000
<b>Mains voltage</b>	V (AC)	230
<b>Mains frequency</b>	Hz	50/60
<b>Working speed of the aerator cylinder</b>	r.p.m.	2,250
<b>Weight</b>	kg	9
<b>Aerating width</b>	cm	30
<b>Wear adjustments</b>	mm	3 x 3 (3 adjustments + transport)
<b>Sound pressure level <math>L_{pA}</math><sup>1)</sup></b>	dB (A)	79
<b>Uncertainty <math>k_{pA}</math></b>		1.5
<b>Sound power level <math>L_{WA}</math><sup>2)</sup>; measured/guaranteed</b>	dB (A)	95 / 98
<b>Uncertainty <math>k_{WA}</math></b>		3
<b>Hand/arm vibration <math>a_{vhw}</math><sup>1)</sup></b>	m/s <sup>2</sup>	4.1

Measuring process complying with: <sup>1)</sup> EN 50636-2-92 <sup>2)</sup> RL 2000/14/EC

## 9. ACCESSORIES

Collecting bag for Electric Aerator EVC 1000

Art. 4065

## 10. SERVICE/WARRANTY

### **Service:**

Please contact the address on the back page.

### **Warranty statement:**

In the event of a warranty claim, no charge is levied to you for the services provided.

GARDENA Manufacturing GmbH grants a warranty for all original GARDENA new products for two years from the date of original purchase from the retailer, provided that the devices have been for private use only. This manufacturer's warranty does not apply to products acquired second hand. This warranty includes all significant defects of the product that can be proved to be material or manufacturing faults. This warranty is fulfilled by supplying a fully functional replacement product or by repairing the faulty product sent to us free of charge; we reserve the right to choose between these options. This service is subject to the following provisions:

- The product has been used for its intended purpose as per the recommendations in the operating instructions.
- Neither the purchaser nor a third party has attempted to open or repair the product.
- Only Original GARDENA replacement parts and wear parts have been used for operation.
- Presentation of the receipt.

Normal wear and tear of parts and components (such as blades, blade fixing parts, turbines, light bulbs, V-belts/toothed belts, impellers, air filters, spark plugs), visual changes, wear parts and consumables are excluded from the warranty.

This manufacturer's warranty is limited to replacement and repair of products in accordance with the abovementioned conditions. The manufacturer's warranty does not constitute an entitlement to lodge other claims against us as a manufacturer, such as for damages. This manufacturer's warranty does **not**, of course, affect statutory and contractual warranty claims against the dealer/retailer.

The manufacturer's warranty is governed by the law of the Federal Republic of Germany.

In case of a warranty claim, please return the faulty product, together with a copy of the receipt and a description of the fault, with postage paid to the service address.

### **Consumables:**

The aerator cylinder is a wearing part and is not covered by the guarantee.





**Deutschland / Germany**

GARDENA  
Manufacturing GmbH  
Central Service  
Hans-Lorenser-Straße 40  
D-89079 Ulm  
Produktfragen:  
(+49) 731 490-123  
Reparaturen:  
(+49) 731 490-290  
service@gardena.com  
http://www.gardena.com

**Albania**

KRAFT SHPK  
Autostrada Tirane-Durres  
Km 7  
1051 Tirane

**Argentina**

ROBERTO C. RUMBO S.R.L.  
Predio Norlog  
Lote 7  
Benavidez. ZC:1621  
Buenos Aires  
ventas@rubmosrl.com.ar

**Australia**

Husqvarna Australia Pty. Ltd.  
Locked Bag 5  
Central Coast BC  
NSW 2252  
Phone: (+61) (0) 2 4352 7400  
customer.service@  
husqvarna.com.au

**Austria / Österreich**

Husqvarna Austria GmbH  
Industriezeile 36  
4010 Linz  
Tel.: (+43) 732 77 01 01-485  
service.gardena@  
husqvarnagroup.com

**Azerbaijan**

Firm Progress  
a. Aliyev Str. 26A  
1052 Baku

**Belarus**

Private Enterprise  
"Master Garden"  
Minsk  
Sharangovich str., 7a  
Phone: (+375) 17 257-00-33  
Mob.: (+375) 29 676-16-09  
mg@mastergarden.by

**Belgium**

Husqvarna Belgium nv  
Gardena Division  
Leuvensesteenweg 542  
Planet II E  
1930 Zaventem  
België

**Bosnia / Hercegovina**

SILK TRADE d.o.o.  
Industrijska zona Bukva bb  
74260 Tešanj

**Brazil**

Husqvarna do Brasil Ltda  
Av. Francisco Matarazzo,  
1400 - 19º andar  
São Paulo - SP  
CEP: 05001-903  
Tel: 0800-112252  
marketing.br.husqvarna@  
husqvarna.com.br

**Bulgaria**

AGROLAND България АД  
бул. 8 Декември, №13  
Офис 5  
1700 Студентски град  
София  
Тел.: (+359) 24666910  
info@agroland.eu

**Canada / USA**

GARDENA Canada Ltd.  
100 Summerlea Road  
Brampton, Ontario L6T 4X3  
Phone: (+1) 905 792 9330  
info@gardenacanada.com

**Chile**

REPRESENTACIONES  
JCE S.A.  
Av. Del Valle Norte 857,  
Piso 4  
Santiago RM  
Phone: (+56) 2 24142560  
contacto@jce.cl

**China**

Husqvarna (Shanghai)  
Management Co., Ltd.  
富世华 (上海) 管理有限公司  
3F, Benq Square B,  
No207, Song Hong Rd.,  
Chang Ning District,  
Shanghai  
PRC. 200335  
上海市长宁区淞虹路207号明  
基广场B座3楼, 邮编: 200335

**Colombia**

Husqvarna Colombia S.A.  
Calle 18 No. 68 D-31, zona  
Industrial de Montevideo  
Bogotá, Cundinamarca  
Tel. 571 2922700 ext. 105  
jairo.salazar@  
husqvarna.com.co

**Costa Rica**

Compania Exim  
Euroiberoamericana S.A.  
Los Colegios, Moravia,  
200 metros al Sur del Colegio  
Saint Francis - San José  
Phone: (+506) 297 6883  
exim\_euro@racsa.co.cr

**Croatia**

Husqvarna Austria GmbH  
Industriezeile 36  
4010 Linz  
Tel.: (+43) 732 77 01 01-485  
service.gardena@  
husqvarnagroup.com

**Cyprus**

Med Marketing  
17 Digeni Akrita Ave  
P.O. Box 27017  
1641 Nicosia

**Czech Republic**

Husqvarna Česko s.r.o.  
Türkova 2319/5b  
149 00 Praha 4 - Chodov  
Bezplatná infolinka:  
800 100 425  
servis@cz.husqvarna.com

**Denmark**

GARDENA DANMARK  
Lejrvej 19, st.  
3500 Værløse  
Tlf.: (+45) 70264770  
husqvarna@husqvarna.dk  
www.gardena.com/dk

**Dominican Republic**

BOSQUESA, S.R.L  
Carretera Santiago Licey  
Km. 5 ½  
Esquina Copal II.  
Santiago  
Dominican Republic  
Phone: (+809) 736-0333  
joserbosquesa@claro.net.do

**Ecuador**

Husqvarna Ecuador S.A.  
Arujos E1-181 y 10 de  
Agosto Quito, Pichincha  
Tel. (+593) 22800739  
francisco.jacome@  
husqvarna.com.ec

**Estonia**

Husqvarna Eesti OÜ  
Valdeku 132  
EE-11216 Tallinn  
info@gardena.ee

**Finland**

Oy Husqvarna Ab  
Gardena Division  
Lautatarhankatu 8 B/PL 3  
00581 HELSINKI  
www.gardena.fi

**France**

Husqvarna France  
9/11 Allée des pierres mayettes  
92635 Gennevilliers Cedex  
France  
http://www.gardena.com/fr  
N° AZUR: 0 810 00 78 23  
(Prix d'un appel local)

**Georgia**

Transporter LLC  
113b Beliasvili street  
0159 Tbilisi, Georgia

**Great Britain**

Husqvarna UK Ltd  
Preston Road  
Aycliffe Industrial Park  
Newton Aycliffe  
County Durham  
DL5 6UP  
info.gardena@  
husqvarna.co.uk

**Greece**

Π. ΠΑΠΑΔΟΠΟΥΛΟΣ ΑΕΒΕ  
Λεωφ. Αθηνών 92  
Αθήνα  
T.K.104 42  
Ελλάδα  
Τηλ. (+30) 210 51 93 100  
info@papadopoulos.com.gr

**Hungary**

Husqvarna Magyarország Kft.  
Ezred u. 1-3  
1044 Budapest  
Telefon: (+36) 1 251-4161  
vevoszolgalat.husqvarna@  
husqvarna.hu

**Iceland**

BYKO ehf.  
Bildshófa 20  
110 Reykjavik

**Ireland**

Husqvarna UK Ltd  
Preston Road  
Aycliffe Industrial Park  
Newton Aycliffe  
County Durham  
DL5 6UP  
info.gardena@  
husqvarna.co.uk

**Italy**

Husqvarna Italia S.p.A.  
Via Santa Vecchia 15  
23868 VALMADRERA (LC)  
Phone: (+39) 0341.203.111  
assistenza.italia@  
it.husqvarna.com

**Japan**

Husqvarna  
Zenoah Co. Ltd. Japan  
1-9 Minamidai, Kawagoe  
350-1165 Saitama  
Japan  
gardena-jp@  
husqvarnagroup.com

**Kazakhstan**

LAMED Ltd.  
155/1, Tazhibayevoy Str.  
050060 Almaty  
IP Schmidt  
Abayavenue 3B  
110 005 Kostanay

**Korea**

Kyung Jin Trading CO.,LTD.  
107-4, SunDuk Bld.,  
YangJae-dong,  
Seocho-gu,  
Seoul, (zipcode: 137-891)  
Phone: (+82) (0)2 574-6300

**Latvia**

Husqvarna Latvija SIA  
Ulbrokas 19A  
LV-1021 Riga  
info@gardena.lv

**Lithuania**

UAB Husqvarna Lietuva  
Ateities pl. 77C  
LT-52104 Kaunas  
info@gardena.lt

**Luxembourg**

Magasins Jules Neuberg  
39, rue Jacques Stas  
Luxembourg-Gasperich 2549  
Case Postale No. 12  
Luxembourg 2010  
Phone: (+352) 40 14 01  
api@neuberg.lu

**Mexico**

AFOSA  
Av. Lopez Mateos Sur # 5019  
Col. La Calma 45070  
Zapopan, Jalisco  
Mexico  
Phone: (+52) 33 3818-3434  
icornejo@afosa.com.mx

**Moldova**

Convel S.R.L.  
290A Muncesti Str.  
2002 Chisinau

**Netherlands**

Husqvarna Nederland B.V.  
GARDENA Division  
Postbus 50131  
1305 AC ALMERE  
Phone: (+31) 36 521 00 10  
info@gardena.nl

**Neth. Antilles**

Jonka Enterprises N.V.  
Sta. Rosa Weg 196  
P.O. Box 8200  
Curaçao  
Phone: (+599) 9 767 6655  
pgm@jonka.com

**New Zealand**

Husqvarna New Zealand Ltd.  
PO Box 76-437  
Manukau City 2241  
Phone: (+64) (0) 9 9202410  
support.nz@husqvarna.co.nz

**Norway**

Husqvarna Norge AS  
Gardena Division  
Trøskerveien 36  
1708 Sarpsborg  
info@gardena.no

**Peru**

Husqvarna Perú S.A.  
Jr. Ramón Cárcamo 710  
Lima 1  
Tel: (+51) 1 3320400 ext. 416  
juan.remuzgo@  
husqvarna.com

**Poland**

Husqvarna  
Poland Spółka z o.o.  
ul. Wysockiego 15 b  
03-371 Warszawa  
Phone: (+48) 22 330 96 00  
gardena@husqvarna.com.pl

**Portugal**

Husqvarna Portugal, SA  
Lagoa - Albarraque  
2635 - 595 Rio de Mouro  
Tel.: (+351) 21 922 85 30  
Fax : (+351) 21 922 85 36  
info@gardena.pt

**Romania**

Madex International Srl  
Soseaua Odaii 117-123,  
RO 013603 București, S 1  
Phone: (+40) 21 352.76.03  
madex@ines.ro

**Russia / Россия**

ООО „Хускварна“  
141400, Московская обл.,  
г. Химки,  
улица Ленинградская,  
владение 39, стр.6  
Бизнес Центр  
„Химки Бизнес Парк“,  
помещение ОВ02\_04  
http://www.gardena.ru

**Serbia**

Domel d.o.o.  
Autoput za Novi Sad bb  
11273 Belgrade  
Phone: (+381) 1 18 48 88 12  
miroslav.jejina@domel.rs

**Singapore**

Hy-Ray PRIVATE LIMITED  
40 Jalan Pemimpin  
#02-08 Tat Ann Building  
Singapore 577185  
Phone: (+65) 6253 2277  
shiyiing@hyray.com.sg

**Slovak Republic**

Husqvarna Česko s.r.o.  
Türkova 2319/5b  
149 00 Praha 4 - Chodov  
Bezplatná infolinka: 800 154 044  
servis@sk.husqvarna.com

**Slovenia**

Husqvarna Austria GmbH  
Industriezeile 36  
4010 Linz  
Tel.: (+43) 732 77 01 01-485  
service.gardena@  
husqvarnagroup.com

**South Africa**

Husqvarna South Africa (Pty) Ltd  
Postnet Suite 250  
Private Bag X6,  
Cascades, 3202, South Africa  
Phone: (+27) 33 846 9700  
info@gardena.co.za

**Spain**

Husqvarna España S.A.  
Calle de Rivas nº10  
28052 Madrid  
Phone: (+34) 91 708 05 00  
atencioncliente@gardena.es

**Suriname**

Deto Handelsmaatschappij N.V.  
Kernkampweg 72-74  
P.O.Box: 12782  
Paramaribo - Suriname  
South America  
Phone: (+597) 438050  
www.deto.sr

**Sweden**

Husqvarna AB/  
GARDENA Sverige  
Drottninggatan 2  
561 82 Huskvarna Sverige

**Switzerland / Schweiz**

Husqvarna Schweiz AG  
Consumer Products  
Industriestrasse 10  
5506 Mägenwil  
Phone: (+41) (0) 62 887 37 90  
info@gardena.ch

**Turkey**

Dost Bahçe Diş Ticaret  
Mümessillik A.Ş  
Yunus Mah. Adil Sok. No:3  
Ic Kapi No: 1 Kartal  
34873 Istanbul  
Phone: (+90) 216 38 93 939  
info@dostbahce.com.tr

**Ukraine / Україна**

ТОВ «Хускварна Україна»  
вул. Васильківська, 34,  
офіс 204-г  
03022, м. Київ  
Тел. (+38) 0 800 504 804  
info@gardena.ua

**Uruguay**

FELI SA  
Entre Ríos 1083 CP 11800  
Montevideo - Uruguay  
Tel: (+598) 22 03 18 44  
info@felisa.com.uy

**Venezuela**

Corporación Casa y Jardín C.A.  
Av. Caroní, Edif. Trezmen, PB.  
Colinas de Bello Monte.  
1050 Caracas.  
Tif: (+58) 212 992 33 22  
info@casayjardin.net.ve

4068-20.960.12/1120  
© GARDENA Manufacturing GmbH  
D-89079 Ulm  
http://www.gardena.com