

1,25 l Art. 814

DE Betriebsanleitung
Drucksprüher

EN Operating Instructions
Pressure Sprayer

FR Mode d'emploi
Pulvérisateur

NL Gebruiksaanwijzing
Drukspuit

SV Bruksanvisning
Tryckspruta

DA Brugsanvisning
Tryksprøjte

FI Käyttöohje
Paineruisku

NO Bruksanvisning
Trykksprøyte

IT Istruzioni per l'uso
Irroratore a pressione

ES Instrucciones de empleo
Pulverizador a presión

PT Manual de instruções
Pulverizador de pressão

PL Instrukcja obsługi
Opryskiwacz ciśnieniowy

HU Használati utasítás
Nyomáspermetező

CS Návod k obsluze
Tlakový rozprašovač

SK Návod na obsluhu
Tlakový rozprašovač

EL Οδηγίες χρήσης
Ψεκαστήρας Πρωτίεσης

RU Инструкция по эксплуатации
Опрыскиватель

SL Navodilo za uporabo
Tlačni škroplilnik

HR Uputa za upotrebu
Pneumatska prskalica

SR/ Uputstvo za rad
BS Prskalica pod pritiskom

UK Інструкція з експлуатації
Обприскувач

RO Instrucțiuni de utilizare
Pulverizator cu precompresie

TR Kullanma Kılavuzu
Basıncılı Sprey

BG Инструкция за експлоатация
Пръскачка

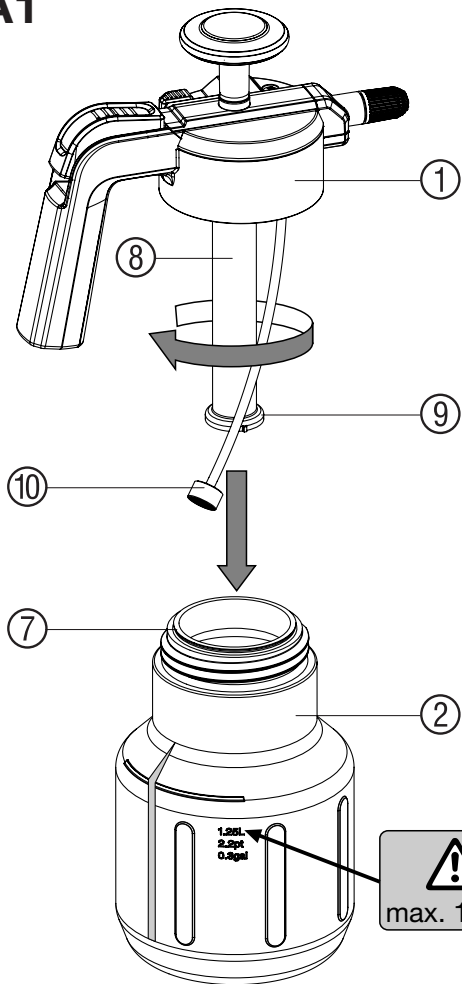
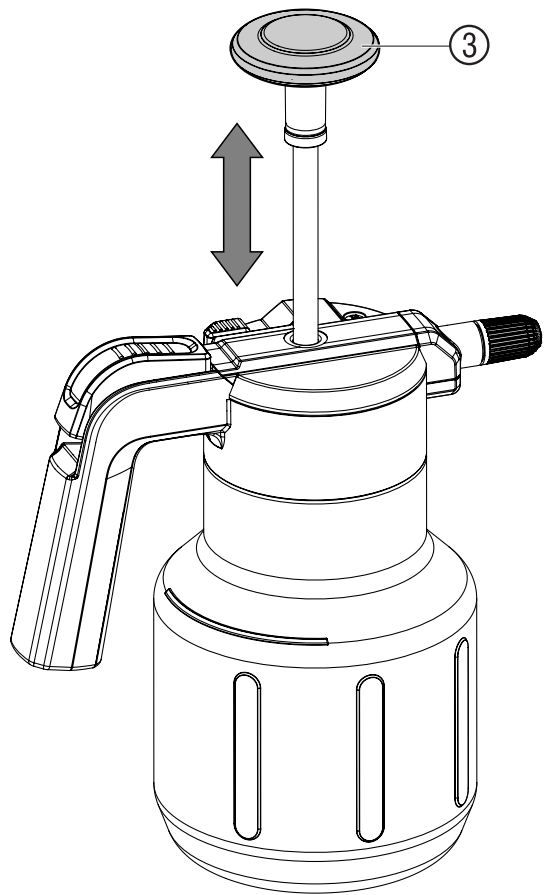
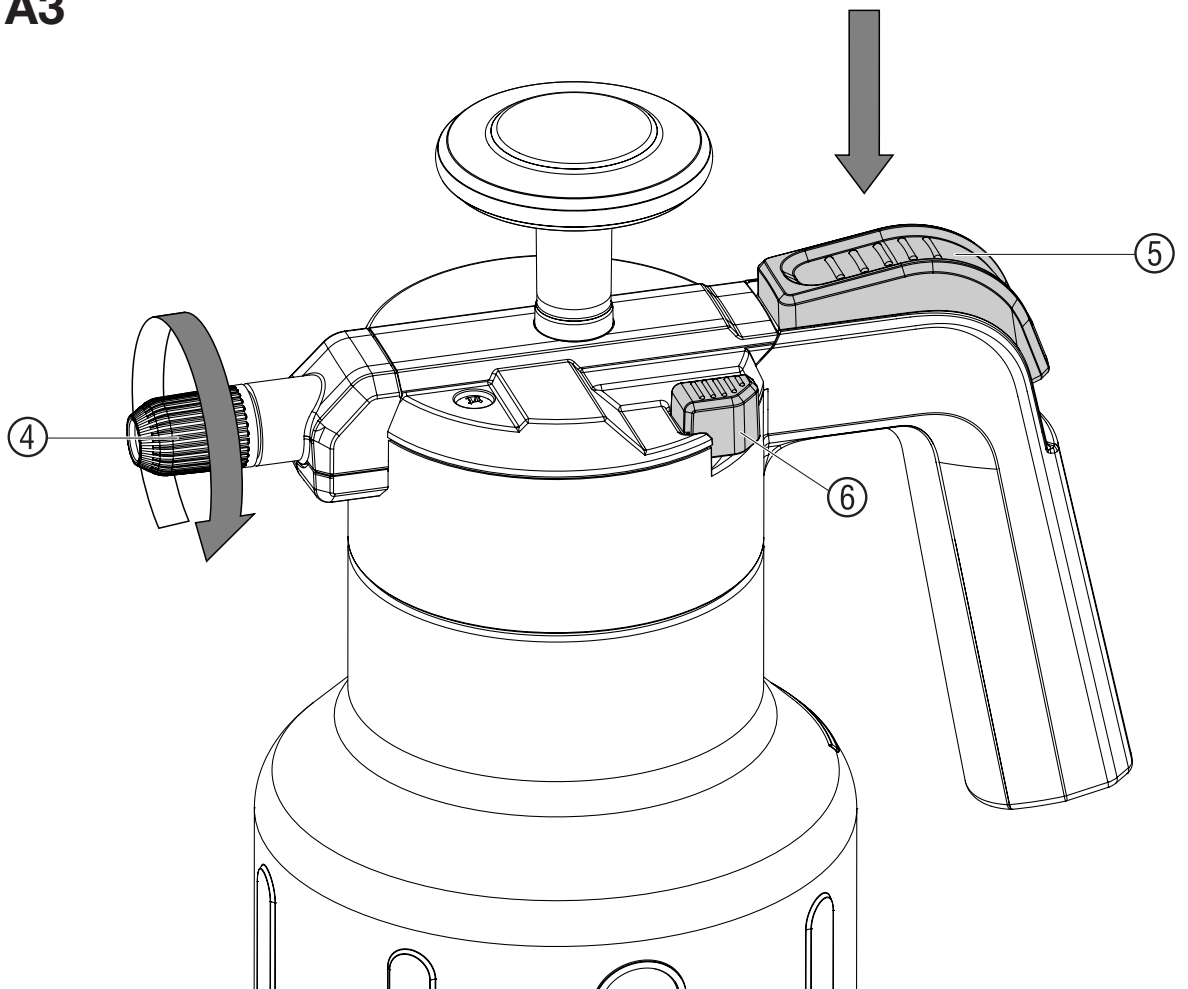
SQ Manual përdorimi
Bombol sprucimi me presion

ET Kasutusjuhend
Survepihusti

LT Naudojimosi instrukcija
Slėginis purkštuvas

LV Lietošanas instrukcija
Spiediena smidzinātājs

ZH 操作说明书
压力喷雾器

A1**A2****A3**

GARDENA Pressure Sprayer 1,25 l

Translation of the original German operating instructions. Please read the operating instructions carefully and observe the notes given. Use the instructions to familiarise yourself with the Pressure Sprayer, its proper use and the notes on safety. For safety reasons, children under 16 as well as persons not familiar with these operating instructions must not use the Pressure Sprayer. Never operate the product when you are tired, ill or under the influence of alcohol, drugs or medicine. Keep these operating instructions in a safe place.

1. Area of application of your GARDENA Pressure Sprayer

Intended purpose:

The GARDENA Pressure Sprayer is intended for distributing solvent-free liquid pesticides¹⁾, herbicides¹⁾, fertilisers¹⁾, window cleaners¹⁾, and car wax¹⁾ in domestic gardens and allotments. It must not be used in public places, parks, sport arenas, or in agriculture or forestry. Compliance with the operating instructions provided by the manufacturer is a prerequisite for using the Pressure Sprayer correctly.

¹⁾ In accordance with the laws governing the use of pesticides and detergents, only authorised substances may be used (authorised specialist shop).

Please note:

Due to the risk of physical injury, the GARDENA Pressure Sprayer must not be used for spraying substances other than those specified by GARDENA. Also, no acids, disinfectants or impregnators, aggressive and solvent-containing cleaning agents, petrol or spray oil may be sprayed. We recommend that you only use pesticides approved by the BBA (German Federal Biological Research Centre for Agriculture and Forestry). To our knowledge at the time of manufacturing the unit, the pesticides approved by the BBA will not damage the materials used to construct the Pressure Sprayer. When spraying insecticides, herbicides and fungicides or other liquid plant protection products, you must comply with all special precautionary measures specified by the manufacturer of the product you are using.

2. Safety instructions

Danger of physical injuries:

Never open the Pressure Sprayer or unscrew the nozzle when the Pressure Sprayer is still pressurised. To prevent injury, never connect the Pressure Sprayer to an air-compressor. Always hold Pressure Sprayer upright before the safety valve ⑥ (Fig. A3) is pressed. Before each opening of the Pressure Sprayer, thoroughly release pressure by pressing the safety valve.

Danger! Small parts could be swallowed during assembly and there is a risk of suffocation from the polybag. Keep infants away during assembly.

Operation:

Inspect the Pressure Sprayer visually before each use. Never leave your Pressure Sprayer unattended or for long periods when full and pressurised. Keep the unit out of the reach of children. You are responsible for the safety of others. Keep your Pressure Sprayer away from heat sources and hot environments. Screw on the spray nozzle ① tightly by hand (do not use tools) and ensure that the O-ring ⑦ (Fig. A1) is positioned correctly.

Cleaning:

Release the pressure after each use, empty the container, clean it carefully and rinse with clear water. Then leave the pressure sprayer open and allow it to dry. Do not dispose of residual fluids in the sewerage system (local disposal systems). Always clean the Pressure Sprayer before using a different product to avoid chemical reactions. When using several Pressure Sprayers, the tanks and spray nozzle may not be exchanged between them.

Storage:

Before storing, loosen the tank cap and always empty your Pressure Sprayer completely (also after cleaning with water). Store away from frost.

3. Operation

Please observe the safety and proportioning instructions provided by the manufacturer of the product you are going to spray.

A1 Unscrew spray nozzle ① and fill tank ②.
WARNING: The tank may only be filled with a maximum of 1.25 litres liquid.

A2 Pump using the handle ③.

A3 Set mist spray via the nozzle ④:
Press operating tab ⑤ and spray liquid.

4. Cleaning

Cleaning the Pressure Sprayer:

Always clean your Pressure Sprayer after spraying. Use Pressure Sprayer only with clear water (possibly with addition of dish detergent) and spray empty. Use Pressure Sprayer only with clear water (possibly with addition of dish detergent) and spray empty. The valves, the suction hose and the nozzle ④ are cleaned. In the case of outer dirtying of cover and tank, thoroughly clean the area thread and thread-O-ring ⑦. We recommend that you have your Pressure Sprayer thoroughly inspected (preferably at a GARDENA Service Centre) after using it for 5 years.

5. Trouble-Shooting

A1 Cleaning the filter:

→ Remove filter ⑩ from suction hose and clean it.

Problem	Possible Cause	Remedy
Pump does not build up pressure.	Spray nozzle ① too lightly screwed on.	Screw spray nozzle ① on tighter.
	Pump pipe ⑧ is loose.	Screw on pump pipe ⑧ tighter.
	O-Ring ⑦ is not correctly positioned.	Check correct position of O-Ring ⑦.
	Sealing cap ⑨ is defective.	Exchange sealing cap ⑨.
Pressure Sprayer does not spray although there is sufficient pressure or only sprays with a weak spray jet.	Nozzle ④ is blocked.	Unscrew nozzle ④ and clean.
	Filter ⑩ is clogged.	Remove filter ⑩ and clean it.
It is difficult to open and close the container.	Container pressure too high.	Release the container pressure completely by means of the safety valve ⑥.

If you have any other problems with your Pressure Sprayer please contact GARDENA Customer Service.

6. Putting into Storage

Storing your Pressure Sprayer:

1. Clean the Pressure Sprayer (refer to 4. Cleaning).
2. Keep your Pressure Sprayer in a place protected from frost.

7. Technical data

Max. capacity	1,25 l
Permissible working pressure	3 bar
Max. permissible operating temperature	40 °C

8. Warranty

In the event of a warranty claim, no charge is levied to you for the services provided. GARDENA Manufacturing GmbH offers a two-year warranty (effective as of the date of purchase) for this product. This warranty includes all significant defects of the product that can be proved to be material or manufacturing faults. This warranty is fulfilled by supplying a fully functional replacement product or by repairing the faulty product sent to us free of charge; we reserve the right to choose between these options. This service is subject to the following provisions:

The product was used for its intended purpose as per the recommendations in the operating instructions. Neither the purchaser nor a third party has attempted to repair the product. This manufacturer's warranty does not affect warranty entitlements against the dealer/retailer. If problems arise with this product, please contact our Service department or send the defective product along with a brief description of the fault to GARDENA Manufacturing GmbH, making sure to have sufficiently covered any shipping costs and to have followed the relevant postage and packaging guidelines. A warranty claim must be accompanied by a copy of the proof of purchase.

Deutschland / Germany

GARDENA
Manufacturing GmbH
Central Service
Hans-Lorenser-Straße 40
D-89079 Ulm
Produktfragen:
(+49) 731 490-123
Reparaturen:
(+49) 731 490-290
service@gardena.com

Albania

COBALT Sh.p.k.
Rr. Siri Kodra
1000 Tirana

Argentina

Husqvarna Argentina S.A.
Av. del Libertador 5954 –
Piso 11 – Torre B
(C1428ARP) Buenos Aires
Phone: (+54) 11 5194 5000
info.gardena@
ar.husqvarna.com

Armenia

Gardena Land Ltd.
61 Tigran Mets
0005 Yerevan

Australia

Husqvarna Australia Pty. Ltd.
Locked Bag 5
Central Coast BC
NSW 2252
Phone: (+61) 02 4352 7400
customer.service@
husqvarna.com.au

Austria / Österreich

Husqvarna Austria GmbH
Industriezeile 36
4010 Linz
Tel.: (+43) 732 77 01 01-485
service.gardena@
husqvarnagroup.com

Azerbaijan

Firm Progress
a/ Alyev, Str. 26A
1052 Bakı

Belgium

Husqvarna België nv/sa
Gardena Division
Rue Egide Van Opheim 111
1180 Uccle/ Ukkel
Tel.: (+32) 2 720 92 12
info@gardena.com/dk

Bosnia / Hercegovina

SILK TRADE d.o.o.
Industrijska zona Bukva bb
74260 Tešanj

Brazil
Husqvarna do Brasil Ltda
Av. Francisco Matarazzo,
1400 – 19º andar
São Paulo – SP
CEP: 05001-903
Tel: 0800-112252
marketing.br.husqvarna@
husqvarna.com.br

Bulgaria

AGROLAND България АД
бул. 8 Декември, №13
Офис 5
1700 Студентски град
София
Tel.: (+359) 24 66 69 10
info@agroland.eu

Canada / USA

GARDENA Canada Ltd.
100 Summerlea Road
Brampton, Ontario L6T 4X3
Phone: (+1) 905 792 9330
info@gardenacanada.com

Chile

Maquinarias Agroforestales
Ltda. (Maga Ltda.)
Santiago, Chile
Avda. Chesterton
8355 comuna Las Condes
Phone: (+56) 2 202 4417
Dalton@magi.cl
Zipcode: 7560330

China

Husqvarna (Shanghai)
Management Co., Ltd.
富世华 (上海) 管理有限公司
3F, Benq Square B,
No27, Song Hong Rd.,
Chang Ning District,
Shanghai, PRC. 200335
上海市市长宁区北虹路207号富世
华一号楼3楼, 邮编: 200335

Colombia

Husqvarna Colombia S.A.
Calle 18 No. 68 D-31, zona
Industrial de Montevideo
Bogotá, Cundinamarca
Tel. 571 2922700 ext. 105
jairo.salazar@
husqvarna.com.co

Costa Rica

Compania Exim
Euroiberomericana S.A.
Los Colegios, Moravia,
200 metros al Sur del Colegio
Saint Francis – San José
Phone: (+506) 297 68 83
extn. euro@crassa.co.cr

Croatia

Husqvarna Austria GmbH
Industriezeile 36
4010 Linz
Tel.: (+43) 732 77 01 01-485
service.gardena@
husqvarnagroup.com

Cyprus

Med Marketing
17 Digeni Akrita Ave
P.O. Box 27017
1641 Nicosia

Czech Republic

Husqvarna Cesko s.r.o.
Türköva 2319/5b
149 00 Praha 4 – Chodov
Bezpłatná infolinia:
800 100 425
servis@cz.husqvarna.com

Denmark

GARDENA DANMARK
Lejrevej 19, st.
3500 Værløse
Tlf.: (+45) 70264770
husqvarna@husqvarna.dk
www.gardena.com/dk

Dominican Republic

BOSQUEUSA S.R.L
Carretera Santiago Licey
Km. 5 ½
Esquina Copal II
Santiago
Dominican Republic
Phone: (+809) 736-0333
joserbosquesa@claro.net.do

Ecuador

Husqvarna Ecuador S.A.
Arupos E1-181 y 10 de
Agosto Uqui, Pichincha
Tel.: (+593) 22800739
francisco.jacom@
husqvarna.com.ec

Estonia

Husqvarna Eesti OÜ
Valdeku 132
EE-11216 Tallinn
info@gardena.ee

Finland

Oy Husqvarna Ab
Gardena Division
Lautatarkhankatu 8 B/PL 3
00581 HELSINKI
www.gardena.fi

France

Husqvarna France
9/11 Allée des pierres mayettes
92635 Gennevilliers Cedex
France
http://www.gardena.com/fr
NF AZUR: 0 810 00 78 23
(Prix d'un appel local)

Georgia

Transporter LLC
8/7 Belshvili street
0159 Tbilisi, Georgia
Phone: (+995) 322 14 71 71

Great Britain

Husqvarna UK Ltd
Preston Road
Aycliffe Industrial Park
Newton Aycliffe
County Durham
DL5 6UP
info.gardena@
husqvarna.co.uk

Greece

Π. ΠΑΠΑΔΟΠΟΥΛΟΣ ΑΕΒΕ
Λεωφ. Αθηνών 92
Αθήνα
Τ.Κ. 104 42
ΕΛΛΑΔΑ
Tn.: (+30) 210 51 93 100
info@papadopoulos.com.gr

Hungary

Husqvarna Magyarország Kft.
Ezred u. 1-3
1044 Budapest
Telefon: (+36) 1 251-4161
vevoszolgalat.husqvarna@
husqvarna.hu

Iceland

O. Johnson & Kaaber
Tunguhalsi 1
110 Reykjavik
oof@okj.is

Ireland

Husqvarna UK Ltd
Preston Road
Aycliffe Industrial Park
Newton Aycliffe
County Durham
DL5 6UP
info.gardena@
husqvarna.co.uk

Italy

Husqvarna Italia S.p.A.
Via Santa Vecchia 15
23868 VALMADRERA (LC)
Phone: (+39) 0341.203.111
assistenza.italia@
it.husqvarna.com

Japan

Kakuhachi Co. Ltd.
Sumitomo Realty &
Development Kojimachi
BLDG., 8F
5-1 Nibanbanno
Chiyoda-ku
Tokyo 102-0084
Phone: (+81) 33 264 4721
m.ishihara@kaku-ichi.co.jp

Kazakhstan

LAMED LTD
155/1, Tazhibayevoli 05
050060 Almaty
IP Schmidt
Abayavenue 3B
110 005 Kostanay

Korea

Kyung Jin Trading CO.LTD.
107-4, SunDuk Bld.,
Yangjae-dong,
Seochon-gu,
Seoul, (zipcode: 137-891)
Phone: (+82) (0)2574-6300

Kyrgyzstan

Alye Maki
av. Moladaya Guardir J 3
720014
Bishkek

Latvia

Husqvarna Latvija SIA
Ulbrokas 19A
LV-1021 Riga
info@gardena.lv

Lithuania

UAB Husqvarna Lietuva
Atleivici pl. 77C
LT-03104 Kaunas
info@gardena.lt

Luxembourg

Magasins Jules Neuberg
39, rue Jacques Stas
Luxembourg-Gasperich 2549
Case Postale No. 12
Luxembourg 2010
Phone: (+352) 40 14 01 01
apl@neuberg.lu

Mexico

AFOSA
Av. Lopez Mateos Sur # 5019
Col. La Calma 5070
Zapopan, Jalisco
Mexico
Phone: (+52) 33 3818-3434
icorneje@afosa.com.mx

Moldova

Convel S.R.L.
290A Muncesti Str.
2002 Chisinau

Netherlands

Husqvarna Nederland B.V.
GARDENA Division
Postbus 50131
1305 AC ALMERE
Phone: (+31) 36 521 00 10
info@gardena.nl

Neth. Antilles

Jonka Enterprises N.V.
Sta. Rosa Weg 196
P.O. Box 8200
Curaçao
Phone: (+599) 9 767 6655
pjm@jonka.com

New Zealand

Husqvarna New Zealand Ltd.
PO Box 76-437
Manukau City 2241
Phone: (+64) (0) 9 9202410
support.nz@husqvarna.co.nz

Norway

Husqvarna Norge AS
Gardena Division
Troskenveien 36
1708 Sarpsborg
info@gardena.no

Peru

Husqvarna Perú S.A.
Jr. Ramón Cárcamo 710
Lima 1
Tel.: (+51) 1 3320400 ext. 416
juan.franco@
husqvarna.com

Poland

Husqvarna
Poland Spółka z o.o.
ul. Wysockiego 15 b
03-371 Warszawa
Phone: (+48) 22 330 96 00
gardena@husqvarna.com.pl

Portugal

Husqvarna Portugal, SA
Lagoa - Albarraque
2635 - 995 Rio de Mouro
Tel.: (+351) 21 922 85 30
Fax: (+351) 21 922 85 36
info@gardena.pt

Romania

Madex International Srl
Soseaua Otdai 117-123,
RO 013603 Bucuresti, S 1
Phone: (+40) 21 352.76.03
madex@ines.ro

Russia / Россия

ООО „Хускварна“
141400, Московская обл.,
г. Химки,
улица Ленинградская,
владение 39, стр.6
Бизнес Центр
„Химки Бизнес Парк“,
помещение 0802, 04
http://www.gardena.ru

Serbia

Domel d.o.o.
Autoput za Novi Sad bb
11 273 Belgrade
NF AZUR: (+381) 11 84 88 12
miroslav.jejina@domel.rs

Singapore

Hj-Roy PRIVATE LIMITED
40 Jalan Pemimpin
02-08 Tat Ann Building
Singapore 571785
Phone: (+65) 6253 2277
shying@hryay.com.sg

Slovak Republic

Husqvarna Cesko s.r.o.
Türköva 2319/5b
149 00 Praha 4 – Chodov
Bezpłatná infolinia:
800 154 044
servis@sk.husqvarna.com

Slovenia

Husqvarna Austria GmbH
Industriezeile 36
4010 Linz
Tel.: (+43) 732 77 01 01-485
service.gardena@
husqvarnagroup.com

South Africa

Husqvarna
South Africa (Pty) Ltd
Postnet Suite 250
Private Bag X6,
Cascades, 3202
South Africa
Phone: (+27) 33 846 9700
info@gardena.co.za

Spain

Husqvarna España S.A.
Calle de Rivas nº 10
28052 Madrid
Phone: (+34) 91 708 05 00
atencionaliente@gardena.es

Suriname

Agrofix n.v.
Verlengde Hogestraat # 22
Phone: (+597) 472426
agrofix@sr.net
PbBox : 2006
Paramaribo
Suriname – South America

Sweden

Husqvarna AB
Gardena Division
S-561 82 Huskvarna
gardenaorder@husqvarna.se

Switzerland / Schweiz

Husqvarna AG
Consumer Products
Industriestrasse 10
5506 Mägenwil
Phone: (+41) (0) 62 887 37 90
info@gardena.ch

Turkey

Dost Bahçe Diş Ticaret
Müessesili A.Ş.
Yulus Mah. Adli Sok. No:3
İc Kapı No: 1 Kartal
04873 İstanbul
Phone: (+90) 216 38 93 939
info@dstbahce.com.tr

Ukraine / Україна

ТОВ „Хускварна Україна“
вул. Васи́льківська, 34,
офіс 204-
03022, м. Київ
Тел. (+38) 044 498 39 02
info@gardena.ua

Uruguay

FELISA SA
Entre Rios 1083 CP 11800
Montevideo – Uruguay
Tel.: (+598) 22 03 18 44
info@felisa.com.uy

Venezuela

Corporacion Casa y Jardin C.A.
Av. Caroni, Edif. Trezmen, PB.
Cotinas de Bello Monte,
1050 Caracas.
Tlf: (+58) 212 992 33 22
info@casayjardin.net.ve

614-20-960.06/1219

© GARDENA Manufacturing GmbH
D-89070 Ulm
http://www.gardena.com