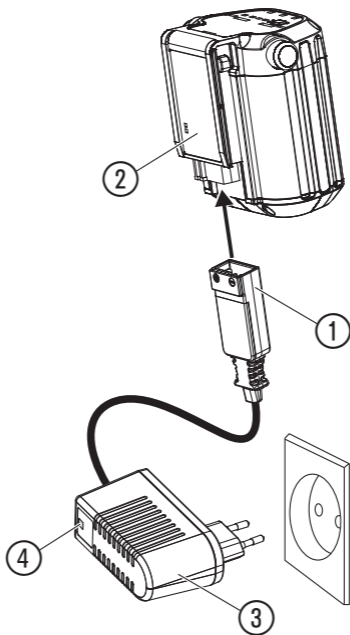

**Art. 8833**

- DE Betriebsanleitung**  
Akku Ladegerät 18 V
- EN Operators Manual**  
Battery Charger 18 V
- FR Mode d'emploi**  
Chargeur de batterie 18 V
- NL Gebruiksaanwijzing**  
Acculader 18 V
- SV Bruksanvisning**  
Batteriladdare 18 V
- DA Brugsanvisning**  
Batterioplader 18 V
- FI Käyttöohje**  
Akkulaturi 18 V
- NO Bruksanvisning**  
Batterilader 18 V
- IT Istruzioni per l'uso**  
Caricabatteria 18 V
- ES Instrucciones de empleo**  
Cargador de batería 18 V
- PT Manual de instruções**  
Carregador 18 V
- PL Instrukcja obsługi**  
Ładowarka 18 V
- HU Használati utasítás**  
Akumulátortöltő 18 V
- CS Návod k obsluze**  
Nabíječka baterií 18 V
- SK Návod na obsluhu**  
Nabíjačka akumulátora 18 V
- EL Οδηγίες χρήσης**  
Φορτιστής μπαταρίας 18 V
- RU Инструкция по эксплуатации**  
Зарядное устройство 18 В
- SL Navodilo za uporabo**  
Polnilnik baterije 18 V
- HR Upute za uporabu**  
Punjač baterije 18 V
- SR/ Uputstvo za rad**  
**BS** Punjač baterija 18 V
- UK Інструкція з експлуатації**  
Зарядний пристрій 18 В
- RO Instrucțiuni de utilizare**  
Încărcător de baterie 18 V
- TR Kullanma Kılavuzu**  
Akü Şarj Cihazı 18 V
- BG Инструкция за експлоатация**  
Зарядно устройство за батерия 18 V
- SQ Manual përdorimi**  
Ngarkuesi i baterive 18 V
- ET Kasutusjuhend**  
Akulaadija 18 V
- LT Ekspluatavimo instrukcija**  
Akumuliatorių įkroviklis 18 V
- LV Lietošanas instrukcija**  
Akumulatoru lādētājs 18 V

Art. 8833



**Introduction:**

**The initial language of these instructions is English. Other language versions are translations of the initial instructions.**

Please read these operating instructions carefully and read the notes given. Acquaint yourself with the use of the battery, the charging technology (see operating instructions GARDENA Rechargeable Battery unit) and read the safety instructions.

For safety reasons, children under the age of 16 as well as people, who are not acquainted with the instructions should not use the charger. Persons with reduced physical or mental abilities may use the product only if they are supervised or instructed by a responsible person. Children must be supervised to ensure that they do not play with the product. Never operate the product when you are tired, ill or under the influence of alcohol, drugs or medicine.

→ Keep this operators manual in a safe place.

**Intended use:**

The GARDENA Charger is used to charge GARDENA 18 V batteries. The product is not intended for long term use. The battery charger 9825-00.620.00 forms the content of sales packaging 8833.

**1. SAFETY****Symbols on the product:**

**Observe the safety instructions on the charger.**



**Do not expose the charger to rain or wet conditions.** *Water entering a charger will increase the risk of electric shock.*

**General safety warnings:****Electrical safety:**

Only use GARDENA original system batteries for GARDENA products and only charge them in an original battery charger 18 V from GARDENA. The batteries are software encrypted.

The battery charger is only used for charging of GARDENA 18 V batteries.



**WARNING! Minimize the risk of electric shock or short circuit as follows:**

→ **Do not try to dismantle the battery charger. Never connect the charger terminals to metal objects as this can short circuit the battery charger. Use approved and intact wall sockets.**

Inspect the product for damage before use.

Regularly check that the battery charger connection wire is intact and that there are no cracks in it.

Do not carry the battery charger using the cord and do not pull out the plug by pulling the cord.

Keep all cables and extension leads away from water, oil and sharp edges. Make sure the cable is not jammed in doors, fences or the like. Otherwise it can cause the charger to become live.

Do not clean the battery or the battery charger with water. Children shall not play with the product.

When charging, the charger must be placed in a well ventilated area and under a roof to keep out moisture.

Use and store battery charger only indoors.

Disconnect the charger after usage.

**WARNING!**

→ **Do not charge non rechargeable batteries in the battery charger or use them in the product.**

**RISK OF EXPLOSION!**

**Protect batteries from heat and fire. Do not leave on radiators or expose to strong sunshine for long periods. Do not operate in explosive atmospheres, such as in the presence of flammable liquids, gases, or dust.**

*Batteries may create sparks which could ignite the dust or fumes.*

**FIRE RISK!**

→ **The battery to be charged must be placed on a non-flammable, heat resistant and non-conductive surface while charging.**

**Keep corrosive, flammable and easily combustible objects clear of the battery charger and the battery. Do not cover the battery charger and the battery while charging.**

**Disconnect the battery charger immediately in the event of smoke formation or fire.**

**If you notice fire: Extinguish the flames with oxygen reducing materials.**

Use the battery charger only when the surrounding temperature is between 5 °C and 40 °C.

Use the charger in an environment which is well ventilated, dry and free from dust.

**Do not use:**

- a faulty or damaged battery charger.
- the battery in the battery charger outdoors.

**Do not charge:**

- or never use a faulty, damaged or deformed battery.
- the battery in the rain or in wet conditions.
- the battery in direct sunlight.

**WARNING!**

**Risk of electric shock and short circuiting!**

→ Use approved and intact wall sockets. Make sure that the cable is not damaged. Replace cable if it appears to be damaged in any way.

Use or stow the battery charger in such way so that the risk of stumbling on the cable does not occur.

Connect the battery charger to the voltage and frequency specified on the rating plate.

Use a residual current device (RCD) when you use the battery charger.

**Storage:**

Stow the battery charger where the temperature is between 5 °C and 45 °C and never in direct sunlight.

Stow the battery charger only in an enclosed and dry space.

Be sure to store the battery separate from the battery charger.

**Additional safety warnings:**

Danger! This product makes an electromagnetic field while it operates. This field may under some conditions interfere with active or passive medical implants. To decrease the risk of conditions that can possibly injure or kill, we recommend persons with medical implants to speak with their physician and the medical implant manufacturer before you operate the product. Danger! Keep toddlers away during assembly. Small parts can be easily swallowed. There is also a risk that the polybag can suffocate toddlers.

**2. INITIAL OPERATION**

*To charge the battery (see page 2):*



**ATTENTION! Overvoltage damages the battery and the battery charger.**

Make sure that you use the correct mains voltage.

**5. TROUBLESHOOTING**

*Error messages of the charging control lamp ④ (see page 2):*

Problem	Possible Cause	Remedy
Charging control lamp ④ on the battery charger does not light up.	Battery charger or charging cable are not connected correctly.	Connect the battery charger and charging cable correctly.
Charging control lamp ④ on the battery charger flashes red.	Charging error.	Disconnect the charger and connect it again.

For any other malfunctions please contact the GARDENA service department. Repairs must only be done by GARDENA service departments or specialist dealers approved by GARDENA.

Before you use the battery the first time, the battery must be fully charged.

The lithium-ion battery can be charged in any state of charge and the charging process can be disconnected at any time without to damage the battery (no memory effect).

1. Connect the charger ③ to a 230 V mains socket.

2. Connect the charger cable ① to the battery ②.

**When the charging control lamp ④ on the battery charger flashes green, the battery is being charged.**

**When the charging control lamp ④ on the battery charger is lit green, the battery is fully charged** (For charging time, see 6. TECHNICAL DATA).

3. Check the charge status regularly while you charge.

4. When the battery is fully charged, disconnect the battery ② from the battery charger ③.

5. Disconnect the battery charger ③ from the mains.

**3. MAINTENANCE**

Make sure the battery and battery charger are clean and that the terminals on the battery and the battery charger are always clean and dry before the battery is placed in the battery charger.

Keep the battery guide tracks clean.

**Do not use running water.**

→ Clean plastic parts with a clean and dry cloth.

**4. STORAGE**

*To put into storage:*

The battery charger must be stowed out of the reach of children.

→ Stow the battery charger in a dry, moisture-free and frost-free place.

**Disposal (in accordance with RL2012/19/EC):**



The product must not be added to normal household waste. It must be disposed of in line with local environmental regulations.

**Important:** Make sure that the product is discarded through or via your municipal recycling collection center.

## 6. TECHNICAL DATA

---

### Art. 8833

---

Rated Power	16 W
Mains voltage	230 V
Mains frequency	50 Hz
Battery charging time	Art. 9839: approx. 3.5 h 80 % / approx. 5 h 100 %

---

## 7. SERVICE/WARRANTY

---

### **Service:**

Please contact the address on the back page.

### **Warranty:**

In the event of a warranty claim, no charge is levied to you for the services provided. GARDENA Manufacturing GmbH offers

a two-year warranty (effective as of the date of purchase) for this product. This warranty includes all significant defects of the product that can be proved to be material or manufacturing faults. This warranty is fulfilled by supplying a fully functional replacement product or by repairing the faulty product sent to us free of charge; we reserve the right to choose between these options. This service is subject to the following provisions:

- The product was used for its intended purpose as per the recommendations in the operating instructions.
- Neither the purchaser nor a third party has attempted to repair the product.

This manufacturer's warranty does not affect warranty entitlements against the dealer/retailer. If problems arise with this product, please contact our Service department or send the defective product along with a brief description of the fault to GARDENA Manufacturing GmbH, making sure to have sufficiently covered any shipping costs and to have followed the relevant postage and packaging guidelines. A warranty claim must be accompanied by a copy of the proof of purchase.

---

<p><b>DE Produkthaftung:</b> Wir weisen ausdrücklich darauf hin, dass wir in Übereinstimmung mit dem Produkthaftungsgesetz nicht für Schäden haften, die durch unsere Produkte entstehen, wenn diese unsachgemäß und nicht durch einen von uns autorisierten Servicepartner repariert wurden oder wenn keine Original GARDENA Teile oder von uns zugelassene Teile verwendet wurden.</p>	<p><b>DA Produktansvar</b> I øverensstemmelse med den tyske produktansvarsløveklærer vi hermed udtrykkeligt, at vi ikke påtager os noget ansvar for skader på vores produkter, hvis de pågældende produkter ikke er blevet repareret korrekt af en GARDENA-godkendt servicepartner, eller hvor der ikke er brugt originale GARDENA-reservedele eller godkendte reservedele fra GARDENA.</p>
<p><b>EL Product Liability:</b> In accordance with the German Product Liability Act, we hereby expressly declare that we accept no liability for damage incurred from our products where said products have not been properly repaired by a GARDENA-approved service partner or where original GARDENA parts or parts authorised by GARDENA were not used.</p>	<p><b>FI Tuotevastuu</b> Saksan tuotevastuulain mukaisesti emme ole vastuussa laitteiden vaurioista, jos korjauksia ei ole tehnyt GARDENA:n hyväksymä huoltoliike tai jos niiden syynä on muiden kuin alkuperäisten GARDENA-varaosien tai GARDENA:n hyväksymien varaosien käyttö.</p>
<p><b>FR Responsabilité</b> Conformément à la loi relative à la responsabilité du fait des produits défectueux, nous déclarons expressément par la présente que nous déclinons toute responsabilité pour les dommages résultant de nos produits, si lesdits produits n'ont pas été correctement réparés par un partenaire d'entretien agréé GARDENA ou si des pièces d'origine GARDENA ou des pièces agréées GARDENA n'ont pas été utilisées.</p>	<p><b>IT Responsabilità del prodotto</b> In conformità con la Legge tedesca sulla responsabilità del prodotto, con la presente dichiariamo espressamente che decliniamo qualsiasi responsabilità per danni causati dai nostri prodotti qualora non siano stati correttamente riparati presso un partner di assistenza approvato GARDENA o laddove non siano stati utilizzati ricambi originali o autorizzati GARDENA.</p>
<p><b>NL Productaansprakelijkheid</b> Conform de Duitse wet inzake productaansprakelijkheid verklaren wij hierbij uitdrukkelijk dat wij geen aansprakelijkheid aarvaarden voor schade ontstaan uit onze producten waarbij deze producten niet zijn gerepareerd door een GARDENA-erkende servicepartner of waarbij geen originele GARDENA-onderdelen of onderdelen die door GARDENA zijn goedgekeurd zijn gebruikt.</p>	<p><b>ES Responsabilidad sobre el producto</b> De acuerdo con la Ley de responsabilidad sobre productos alemana, por la presente declaramos expresamente que no aceptamos ningún tipo de responsabilidad por los daños ocasionados por nuestros productos si dichos productos no han sido reparados por un socio de mantenimiento aprobado por GARDENA o si no se han utilizado piezas originales GARDENA o piezas autorizadas por GARDENA.</p>
<p><b>SV Produktansvar</b> I enlighet med tyska produktansvarslagar förklarar vi härmed uttryckligen att vi inte åtar oss något ansvar för skador som orsakas av våra produkter där produkterna inte har genomgått korrekt reparation från en GARDENA-godkänd servicepartner eller där originaldelar från GARDENA eller delar godkända av GARDENA inte använts.</p>	<p><b>PT Responsabilidade pelo produto</b> De acordo com a lei alemã de responsabilidade pelo produto, declaramos que não nos responsabilizamos por danos causados pelos nossos produtos, caso os tais produtos não tenham sido devidamente reparados por um parceiro de assistência GARDENA aprovado ou se não tiverem sido utilizadas peças GARDENA originais ou peças autorizadas pela GARDENA.</p>

<p><b>PL Odpowiedzialność za produkt</b></p> <p>Zgodnie z niemiecką ustawą o odpowiedzialności za produkt, niniejszym wyraźnie oświadczamy, że nie ponosimy żadnej odpowiedzialności za szkody poniesione na skutek użytkowania naszych produktów, w przypadku gdy naprawa tych produktów nie była odpowiednio przeprowadzana przez zatwierdzonego przez firmę GARDENA partnera serwisowego lub nie stosowano oryginalnych części GARDENA albo części autoryzowanych przez tę firmę.</p>	<p><b>SL Odgovornost proizvajalca</b></p> <p>V skladu z nemškimi zakoni o odgovornosti za izdelke, izrecno izjavljajo, da ne sprejemamo nobene odgovornosti za škodo, ki jo povzročijo naši izdelki, če teh niso ustrezno popravili GARDENINI odobreni servisni partnerji ali pri tem niso bili uporabljeni originalni GARDENINI nadomestni deli ali GARDENINIMI homologiranimi nadomestnimi deli.</p>
<p><b>HU Termékszavatosság</b></p> <p>A németországi termékszavatossági törvénnyel összhangban ezennel nyomatékosan kijelentjük, hogy nem vállalunk felelősséget a termékeinkben keletkezett olyan károkért, amelyek valamilyen GARDENA által jóváhagyott szervizpartner által nem megfelelően végzett javítástól adódtak, vagy amely során nem eredeti GARDENA alkatrészeket vagy a GARDENA által jóváhagyott alkatrészeket használtak fel.</p>	<p><b>HR Pouzdanost proizvoda</b></p> <p>Sukladno njemačkom zakonu o pouzdanosti proizvoda, ovime izričito izjavljujemo kako ne prihvaćamo nikakvu odgovornost za oštećenja na našim proizvodima nastala uslijed neispravnog popravka od strane servisnog partnera kojeg odobrava GARDENA ili uslijed nekorištenja originalnih GARDENA dijelova ili dijelova koje odobrava GARDENA.</p>
<p><b>CS Odpovědnost za výrobek</b></p> <p>V souladu s německým zákonem o odpovědnosti za výrobek tímto výslovně prohlašujeme, že nepřijímáme žádnou odpovědnost za poškození vzniklá na našich výrobcích, kdy zmíněné výrobky nebyly řádně opraveny schváleným servisním partnerem GARDENA nebo kdy nebyly použity originální náhradní díly GARDENA nebo náhradní díly autorizované společností GARDENA.</p>	<p><b>RO Răspunderea pentru produs</b></p> <p>În conformitate cu Legea germană privind răspunderea pentru produs, declarăm în mod expres prin prezentul document că nu acceptăm nicio răspundere pentru defecțiunile suferite de produsele noastre atunci când acestea nu au fost reparate în mod corect de un atelier de service partener, aprobat de GARDENA, sau când nu au fost utilizate piese GARDENA originale sau piese autorizate de GARDENA.</p>
<p><b>SK Zodpovednosť za produkt</b></p> <p>V súlade s nemeckými právnymi predpismi upravujúcimi zodpovednosť za výrobok týmto výslovné prehlasujeme, že nenesieme žiadnu zodpovednosť za škody spôsobené našimi výrobkami, v prípade ktorých neboli náležité opravy vykonané servisným partnerom schváleným spoločnosťou GARDENA alebo neboli použité diely spoločnosti GARDENA alebo diely schválené spoločnosťou GARDENA.</p>	<p><b>BG Отговорност за вреди, причинени от стоки</b></p> <p>Съгласно германския Закон за отговорността за вреди, причинени от стоки, с настоящото изрично декларираме, че не носим отговорност за щети, причинени от нашите продукти, ако те не са били правилно ремонтирани от одобрен от GARDENA сервиз или ако не са използвани оригинални части на GARDENA или части, одобрени от GARDENA.</p>
<p><b>EL Ευθύνη προϊόντος</b></p> <p>Σύμφωνα με τον γερμανικό νόμο περί Ευθύνης για τα Προϊόντα, με το παρόν δηλώνουμε ρητώς ότι δεν αποδεχόμαστε καμία ευθύνη για τυχόν ζημιές που προκύπτουν από τα προϊόντα μας εάν αυτά δεν έχουν επισκευαστεί σωστά από κάποιον εγκεκριμένο συνεργάτη επισκευών της GARDENA ή εάν δεν έχουν χρησιμοποιηθεί αυθεντικά εξαρτήματα GARDENA ή εξαρτήματα εγκεκριμένα από την GARDENA.</p>	<p><b>ET Tootevastutus</b></p> <p>Vastavalt Saksamaa tootevastutusseadusele deklareerime käesolevaga selgesõnaliselt, et me ei kannu mingisugust vastutust meie toodetest tingitud kahjude eest, kui need tooted ei ole korrektselt parandatud GARDENA heakskiidetud hoolduspartneri poolt või kui parandamisel ei ole kasutatud GARDENA originaalosi või GARDENA volitatud osi.</p>

**LT Gaminio patikimumas**

Mes aiškiai pareiškiame, kad, atsižvelgiant į Vokietijos gaminių patikimumo įstatymą, neprisimame atsakomybės dėl bet kokios žalos, patirtos dėl mūsų gaminių, jeigu jie buvo netinkamai taisomi arba jų dalys buvo pakeistos neoriginaliomis GARDENA dalimis ar nepatvirtintomis dalimis, arba jeigu remonto darbai buvo atliekami ne GARDENA techninės priežiūros centro specialistų.

**LV Atbildība par produkcijas kvalitāti**

Saskaņā ar Vācijas likumu par atbildību par produkcijas kvalitāti ar šo mēs paziņojam, ka neuzņemamies atbildību par bojājumiem, kas radušies, lietojot mūsu izstrādājumus, kuru remontu nav veicis uzņēmuma GARDENA apstiprināts apkopes partneris vai kuru remontam netika izmantotas oriģinālās GARDENA detaļas vai detaļas, kuru lietošanu apstiprinājis uzņēmums GARDENA.

**DE EU-Konformitätserklärung**

Der Unterzeichner, Husqvarna AB, 561 82 Huskvarna, Schweden, bescheinigt hiermit, dass die nachstehend aufgeführten Geräte bei Verlassen des Werks die harmonisierten EU-Leitlinien, EU-Normen für Sicherheit und besondere Normen erfüllen. Dieses Zertifikat verliert seine Gültigkeit, wenn die Geräte ohne unsere Genehmigung verändert werden.

**DA EU-overensstemmelseserklæring**

Undertegnede, Husqvarna AB, 561 82 Huskvarna, Sverige erklærer hermed, at nedenfor anførte enheder er i overensstemmelse med de harmoniserede EU-retningslinjer, EU-standarder for sikkerhed og produktspecifikke standarder, når de forlader fabrikken. Denne erklæring ugyldig-gøres, hvis enhederne ændres uden vores godkendelse.

**EN EC Declaration of Conformity**

The undersigned, Husqvarna AB, 561 82 Huskvarna, Sweden, hereby certifies that, when leaving our factory, the units indicated below are in accordance with the harmonised EU guidelines, EU standards of safety and product specific standards. This certificate becomes void if the units are modified without our approval.

**FI EY-vaatimustenmukaisuusvakuutus**

Husqvarna AB, 561 82 Huskvarna, Ruotsi, vakuuttaa täten, että alla mainitut laitteet ovat tehtaalta lähtessään yhdenmukaistettujen EU-säännösten, EU:n turvastandardien ja tuotokehtaisten standardien mukaisia. Tämä vakuutus mitätöityy, jos laitteita muokataan ilman hyväksyntäämme.

**FR Déclaration de conformité CE**

Le constructeur, soussigné : Husqvarna AB, 561 82 Huskvarna, Suède, déclare qu'à la sortie de ses usines le matériel neuf désigné ci-dessous était conforme aux prescriptions des directives européennes énoncées ci après et conforme aux règles de sécurité et autres règles qui lui sont applicables dans le cadre de l'Union européenne. Toute modification apportée à cet appareil sans notre accord annule la validité de ce certificat.

**IT Dichiarazione di conformità CE**

La sottoscritta Husqvarna AB, 561 82 Huskvarna, Svezia, certifica che il prodotto qui di seguito indicato, nei modelli da noi commercializzati, è conforme alle direttive armonizzate UE nonché agli standard di sicurezza UE e agli standard specifici di prodotto. Qualunque modifica apportata al prodotto senza nostra specifica autorizzazione invalida la presente dichiarazione.

**NL EG-conformiteitsverklaring**

De ondergetekende, Husqvarna AB, 561 82 Huskvarna, Zweden, verklaart hierbij dat de producten die hieronder staan vermeld, wanneer ze onze fabriek verlaten, in overeenstemming zijn met de geharmoniseerde Europese richtlijnen, EU-normen voor veiligheid en productspecifieke normen. Dit certificaat vervalt als de producten worden aangepast zonder onze toestemming.

**ES Declaración de conformidad CE**

El abajo firmante, Husqvarna AB, 561 82 Huskvarna, Suecia, certifica por la presente que, cuando salen de la fábrica, las unidades indicadas a continuación cumplen las normas de armonización de la UE, las normas de la UE sobre seguridad y las normas específicas del producto. Este certificado quedará sin efecto si se modifican las unidades sin nuestra autorización.

**SV EG-försäkrän om överensstämmelse**

Undertecknad firma Husqvarna AB, 561 82 Huskvarna, Sverige, intygar härmed att nedan nämnda produkter, när de lämnar vår fabrik, överensstämmer med EU:s riktlinjer, EU:s säkerhetsstandarder och produktspecifika standarder. Detta intyg skall ogiltigförklaras om produkten ändras utan vårt godkännande.

**PT Declaração de conformidade CE**

O abaixo-assinado, Husqvarna AB, 561 82 Huskvarna, Suécia, certifica por este meio que, ao sair da nossa fábrica, as unidades indicadas acima estão em conformidade com as diretrizes uniformizadas da UE, os padrões de segurança da UE e os padrões específicos do produto. Este certificado deixa de ser válido se as unidades forem modificadas sem a nossa aprovação.



**PL Deklaracja zgodności WE**

Niżej podpisany przedstawiciel firmy Husqvarna AB, 561 82 Huskvarna, Szwecja, niniejszym oświadcza, że podane poniżej wyroby opuszczające fabrykę są zgodne ze zharmonizowanymi normami UE oraz z obowiązującymi w UE przepisami bezpieczeństwa i normami dotyczącymi danego produktu. Modyfikacja wyrobów bez naszej zgody powoduje unieważnienie niniejszego certyfikatu.

**HU EK megfeleléségi nyilatkozat**

Alulírott Husqvarna AB, 561 82 Huskvarna, Svédország ezzel tanúsítja, hogy az alábbiakban leírt egységek a gyár elhagyásakor megfeleltek a harmonizált uniós előírásoknak és biztonságí és termékspecifikus szabványoknak. Ez a tanúsítvány érvényét veszti, ha az egységeket jóváhagyásunk nélkül átalakítják.

**CS Prohlášení o shodě ES**

Niže uvedená společnost Husqvarna AB, 561 82 Huskvarna, Švédsko, tímto potvrzuje, že při opuštění naší továrny jsou jednotky uvedené níže v souladu s harmonizovanými pokyny EU, standardy EU ohledně bezpečnosti a specifickými produktovými standardy. Tento certifikát pozbývá platnosti, pokud dojde k úpravě jednotek bez našeho schválení.

**SK EÚ vyhlásenie o zhode**

Dolu podpísaná spoločnosť Husqvarna AB, 561 82 Huskvarna, Švédsko týmto osvedčuje, že nižšie uvedené jednotky boli v súlade s harmonizovanými usmerneniami EÚ, normami EÚ v oblasti bezpečnosti a špecifickými normami týkajúcimi sa produktu v čase opustenia výrobného závodu. Toto osvedčenie stráca platnosť, ak boli jednotky zmenené bez nášho súhlasu.

**EL Δήλωση Συμμόρφωσης ΕΚ**

Η υπογεγραμμένη εταιρεία, Husqvarna AB, 561 82 Huskvarna, Σουηδία, πιστοποιεί ότι, κατά την έξοδό από το εργοστάσιο, οι μονάδες που αναφέρονται κατωτέρω συμμορφώνονται με τις εναρμονισμένες οδηγίες ΕΕ, τα πρότυπα ασφαλείας της ΕΕ και τα συγκεκριμένα πρότυπα προϊόντος. Αυτό το πιστοποιητικό καθίσταται άκυρο εάν οι μονάδες έχουν τροποποιηθεί χωρίς την έγκρισή μας.

**SL Izjava ES o skladnosti**

Spodaj podpisana, Husqvarna AB, 561 82 Huskvarna, Švedska, s to izjavo potrjuje, da je bila spodaj navedena enota ob izhodu iz tovarne skladna z usklajenimi smernicami EU, standardi EU za varnost in standardi, specifičnimi za izdelek. Izjava postane neveljavna v primeru neodobrene spremembe enote.

**HR Izjava o usklađenosti EZ**

Niže potpisana Husqvarna AB, 561 82 Huskvarna, Švedska, ovime potvrđuje kako su u nastavku navedene jedinice prilikom napuštanja tvornice bile u skladu s usklađenim smjernicama EU, EU sigurnosnim standardima i standardima specifičnima za proizvod. Ova certifikacija poništava se ako se jedinice izmjenjuju bez odobrenja.

**RO Declarație de conformitate CE**

Subscrisa, Husqvarna AB, 561 82 Husqvarna, Suedia, certifică prin prezenta că, la momentul ieșirii din fabrica noastră, unitățile indicate mai jos sunt în conformitate cu directivele UE armonizate, cu standardele UE de siguranță și cu standardele specifice ale produsului. Prezentul certificat devine nul dacă unitățile sunt modificate fără aprobarea noastră.

**BG Декларация за съответствие на ЕО**

С настоящото долуподписаната, Husqvarna AB, 561 82 Huskvarna, Швеция, удостоверява, че при напускане на фабриката модулите, посочени по-долу, са в съответствие с хармонизираните директиви на ЕС, стандартите на ЕС за безопасност и специфичните за продукта стандарти. Този сертификат става невалиден, ако модулите са променени без нашето одобрение.

**ET EÜ vastavusdeklaratsioon**

Allkirjutatu Husqvarna AB, 561 82 Huskvarna, Rootsi, kinnitab käesolevaga, et tehasest väljumisel vastavad allpool nimetatud seadmed harmoneeritud EL-i suunistele, EL-i ohutusstandarditele ja tootele eriomastele standarditele. See vastavuskinnitus kaotab kehtivuse, kui seadet muudetakse ilma meie heakskiiduta.

**LT EB atitikties deklaracija**

Husqvarna AB, 561 82 Huskvarna, Sweden, garantuoja, kad iš gamyklos siunčiami toliau nurodyti įrenginiai atitinka suderintus EB reikalavimus, EB saugos ir konkrečius gaminių standartus. Pakeitus gaminį be mūsų patvirtinimo, nutraukiamas šio sertifikato galiojimas.

**LV EK atbilstības deklarācija**

Uzņēmums Husqvarna AB, 561 82 Huskvarna, Zviedrija, ar parakstu apliecina, ka tālāk minētās vienības, pamatot pircēju, atbilst saskaņotajām ES vadlīnijām, ES drošības standartiem un izstrādājuma specifiskajiem standartiem. Šis sertifikāts tiek anulēts, ja šīs vienības tiek modificētas bez mūsu apstiprinājuma.

Produktbezeichnung:  
Description of the product:  
Designation du produit :  
Beschrijving van het product:  
Beskrivning av produkten:  
Beskrivelse af produktet:  
Tuotteen kuvaus:  
Description del prodotto:  
Descripción del producto:  
Descrição do produto:  
Opis produktu:  
A termék leírása:  
Popis výrobku:  
Popis produktu:  
Περιγραφή του προϊόντος:  
Opis izdelka:  
Opis proizvoda:  
Descrierea produsului:  
Описание на продукта:

Toote kirjeldus:  
Gaminio aprašas:  
Izstrādājuma apraksts:

**Akku Ladegerät 18 V**  
**Battery Charger 18 V**  
**Chargeur de batterie 18 V**  
**Acculader 18 V**  
**Batteriladdare 18 V**  
**Batterieoplader 18 V**  
**Akkulaturi 18 V**  
**Caricabatteria 18 V**  
**Cargador de batería 18 V**  
**Carregador 18 V**  
**Ładowarka 18 V**  
**Akkumulatortöltő 18 V**  
**Nabijeka baterii 18 V**  
**Nabijačka akumulatora 18 V**  
**Φορτιστής μπαταρίας 18 V**  
**Polnilnik baterije 18 V**  
**Punjač baterije 18 V**  
**Incărcător de baterie 18 V**  
**Зарядно устройство за батерия 18 V**  
**Akulaadija 18 V**  
**Akumulatorių įkroviklis 18 V**  
**Akumulatoru ielādētājs 18 V**

Harmonisierte EN-Normen/  
Harmonised EN:

**EN ISO 12100**

**IEC 60335-1**

**IEC 60335-2-29**

Hinterlegte Dokumentation:

GARDENA Technische Dokumentation, M. Kugler, 89079 Ulm

Deposited Documentation:

GARDENA Technical Documentation, M. Kugler, 89079 Ulm

Documentation déposée:

Documentation technique GARDENA, M. Kugler, 89079 Ulm

Anbringningsår der

CE-Kennzeichnung:

Year of CE marking:

Année d'apposition du

marquage CE :

Installatiejaar van de CE-

aanduiding:

Märkningsår:

CE-Märkningsår:

CE-merkin kiinnitysvuosi:

Anno di applicazione della

certificazione CE:

Colocación del distintivo CE:

Ano de marcação pela CE:

Rok nadania oznakowania CE:

CE-jelzés elhelyezésének éve:

Rok umístění značky CE:

Rok udeljenja značkej CE:

Ετος ορίσματος CE:

Leto namestitve CE-oznake:

Godina dobivanja CE oznake:

Anul de marcarea CE:

Година на поставяне на

CE-маркировка:

CE-märgistuse paigaldamise aasta:

Metai, kada pažymėta CE-ženklui:

CE-marķējuma

uzlikšanas gads:

**2016**

Produkttyp:  
Product type:  
Type de produit:  
Producttype:  
Produkttyp:  
Producttype:  
Τύπος προϊόντος:  
Tip produs:  
Tip produs:  
Τύπος προϊόντος:  
Tuotetyyppi:  
Tipo di prodotto:  
Tipo de producto:  
Produkta veids:  
Typ produkt:  
Terméktípus:  
Druh výrobku:

**18 V**

Artikelnummer:  
Article number:  
Référence :  
Article number:  
Artikelnummer:  
Artikelnummer:  
Τυτотенеро:  
Codice articolo:  
Referencia:  
Número de referencia:  
Número de referencia:  
Númer kata-  
logowy:

**9825-00.620.00**

Cikkszámok:  
Objednací číslo:  
Objednávacie číslo:  
Κωδικός είδους:  
Številka izdelka:  
Kataloški broj:  
Cod articol:  
Артикул номер:  
Artiklinummer:  
Dalties numeris:  
Artikula numurs:

EU-Richtlinien:  
EC-Directives:  
Directives CE :  
EG-richtlijnen:  
EU-direktiv:  
EF-direktiver:  
EY-direktiivit:  
Directive UE:  
Directiva CE:  
Direktivas CE:  
Dyrektywy WE:  
EK-irányelvek:  
Předpisy ES:  
Smerice EU:

Объясн: EK:  
Direktive EU:  
EC direktive:  
Directive CE:  
Директиви на ЕО:  
EU direktivid:  
EB direktivos:  
EK direktivas:

**2014/35/EG**  
**2014/30/EG**  
**2011/65/EG**

Ulm, den 30.01.2017  
Ulm, 30.01.2017  
Fait à Ulm, le 30.01.2017  
Ulm, 30-01-2017  
Ulm, 201.01.30.  
Ulm, 30.01.2017  
Ulmissa, 30.01.2017  
Ulm, 30.01.2017  
Ulm, 30.01.2017  
Ulm, 30.01.2017  
Ulm, dnia 30.01.2017  
Ulm, 30.01.2017  
Ulm, 30.01.2017  
Ulm, dnja 30.01.2017  
Ulm, 30.01.2017  
Ulm, 30.01.2017  
Ulm, 30.01.2017  
Ulm, 30.01.2017  
Ulm, 30.01.2017  
Ulm, 30.01.2017  
Ulm, 30.01.2017  
Ulm, 30.01.2017  
Ulm, 30.01.2017

Der Bevollmächtigte  
Autorisiert representative  
Le mandataire  
De gevolmachtigde  
Auktoriserad representant  
Autoriseret representant  
Valtuutettu edustaja  
Persona delegata  
La persona autorizada  
O representante  
Pelnomocnik  
Meghatalmazott  
Zpinomocnenc  
Spolnomocnený  
Ο εξουσιοδοτημένος  
Pooblaščenec  
Ovlaštena osoba  
Conducerea tehnică  
Упълномощен  
Volitatud esindaja  
Igalotiatis atstovas  
Pārnarotā persona

*Reinhard Pompe*  
Reinhard Pompe  
Vice President

**Deutschland / Germany**

GARDENA Manufacturing GmbH  
Central Service  
Hans-Lorenser-Straße 40  
D-89079 Ulm  
Produktfragen:  
(+49) 731 490-123  
Reparaturen:  
(+49) 731 490-290  
service@gardena.com

**Albania**

COBALT Sh.p.k.  
Rr. Siri Kodra  
1000 Tirana

**Argentina**

Husqvarna Argentina S.A.  
Av. del Libertador 5954 –  
Piso 11 – Torre B  
(C1428ARP) Buenos Aires  
Phone: (+54) 11 5194 5000  
info.gardena@  
ar.husqvarna.com

**Armenia**

Garden Land Ltd.  
61 Tigran Mets  
0005 Yerevan

**Australia**

Husqvarna Australia Pty. Ltd.  
Locked Bag 5  
Central Coast BC  
NSW 2252  
Phone: (+ 61) (0) 2 4352  
7400  
customer.service@  
husqvarna.com.au

**Austria / Österreich**

Husqvarna Austria GmbH  
Industriezeile 36  
4010 Linz  
Tel. : (+43) 732 77 01  
01-485  
service.gardena@  
husqvarnagroup.com

**Azerbaijan**

Firm Progress  
a. Aliyev Str. 26A  
1052 Baku

**Belgium**

Husqvarna België nv/sa  
Gardena Division  
Rue Egide Van Ophem 111  
1180 Uccle/Ukkel  
Tel.: (+32) 2 720 92 12  
Mail: info@gardena.be

**Bosnia / Herzegovina**

SILK TRADE d.o.o.  
Industrijska zona Bukva bb  
74260 Tešanj

**Brazil**

Husqvarna do Brasil Ltda  
Av. Francisco Matarazzo,  
1400 – 19<sup>º</sup> andar  
São Paulo – SP  
CEP: 05001-903  
Tel: 0800-112252  
marketing.br.husqvarna@  
husqvarna.com.br

**Bulgaria**

AGROLAND България АД  
бул. 8 Декември, № 13  
Офис 5  
1700 Студентски град  
София  
Tel.: (+359) 2466 6910  
info@agroland.eu

**Canada / USA**

GARDENA Canada Ltd.  
100 Summerlea Road  
Brampton, Ontario L6T 4X3  
Phone: (+1) 905 792 93 30  
info@gardenacanada.com

**Chile**

Maquinarías Agroforestales  
Ltda. (Maga Ltda.)  
Santiago, Chile  
Avda. Chesterton  
# 8355 comuna Las Condes  
Phone: (+56) 2 202 4417  
Dalton@maga.cl  
Zipcode: 7560330

**China**

Husqvarna (China) Machinery  
Manufacturing Co., Ltd.  
No. 1355, Jia Xin Rd.,  
Ma Lu Zhen, Jia Ding Dist.,  
Shanghai  
201801  
Phone: (+86) 21 59159629  
Domestic Sales  
www.gardena.com.cn

**Colombia**

Husqvarna Colombia S.A.  
Calle 18 No. 68 D-31, zona  
Industrial de Montevideo  
Bogotá, Cundinamarca  
Tel. 571 2922700 ext. 105  
jairo.salazar@husqvarna.  
com.co

**Costa Rica**

Compania Exim  
Euroiberoamericana S.A.  
Los Colegios, Moravia,  
200 metros al Sur del  
Colegio  
Saint Francis – San José  
Phone: (+506) 297 68 83  
exim\_euro@racsaco.cr

**Croatia**

SILK ADRIA d.o.o.  
Josipa Lončara 3  
10090 Zagreb  
Phone: (+385) 1 3794 580  
silk.adria@zg.t-com.hr

**Cyprus**

Med Marketing  
17 Digeni Akrita Ave  
P.O. Box 27017  
1641 Nicosia

**Czech Republic**

Husqvarna Česko s.r.o.  
Türkova 2319/5b  
149 00 Praha 4 – Chodov  
Bezplatná infolinka :  
800 100 425  
servis@cz.husqvarna.com

**Denmark**

GARDENA DANMARK  
Lejrvvej 19, st.  
3500 Værløse  
Tlf.: (+45) 70 26 47 70  
husqvarna@husqvarna.dk  
www.gardena.com / dk

**Dominican Republic**

BOSQUESA, S.R.L  
Carretera Santiago Licey  
Km. 5 ½  
Esquina Copal II.  
Santiago  
Dominican Republic  
Phone: (+809) 736-0333  
joserbosquesa@claro.net.do

**Ecuador**

Husqvarna Ecuador S.A.  
Arupos E1-181 y 10 de  
Agosto Quito, Pichincha  
Tel. (+593) 22800739  
francisco.jacome@  
husqvarna.com.ec

**Estonia**

Husqvarna Eesti OÜ  
Gardena Division  
Valdeku 132  
Tallinn  
11216, Estonia  
info@gardena.ee

**Finland**

Oy Husqvarna Ab  
Gardena Division  
Lautatarhankatu 8 B / PL 3  
00581 HELSINKI  
info@gardena.fi

**France**

Husqvarna France  
9/11 Allée des pierres  
mayettes  
92635 Gennevilliers Cedex  
France  
http : //www.gardena.com/ fr  
N° AZUR: 0 810 00 78 23  
(Prix d'un appel local)

**Georgia**

ALD Group  
Beliashvili 8  
1159 Tleilisi

**Great Britain**

Husqvarna UK Ltd  
Preston Road  
Aycliffe Industrial Park  
Newton Aycliffe  
County Durham  
DL5 6UP  
info.gardena@  
husqvarna.co.uk

**Greece**

Π.ΠΑΠΑΔΟΠΟΥΛΟΣ ΑΕΒΕ  
Λεωφ. Αθηνών 92  
Αθήνα  
T.K.104 42  
Ελλάδα  
Τηλ. (+30) 210 5193100  
info@papadopoulos.com.gr

**Hungary**

Husqvarna Magyarorszag Kft.  
Ezred u. 1 - 3  
1044 Budapest  
Telefon: (+36) 1 251-4161  
vevoszolgalat.husqvarna@  
husqvarna.hu

**Iceland**

Ó. Johnson & Kaaber  
Tunguhalsi 1  
110 Reykjavik  
ooj@ojk.is

**Ireland**

Husqvarna UK Ltd  
Preston Road  
Aycliffe Industrial Park  
Newton Aycliffe  
County Durham  
DL5 6UP  
info.gardena@husqvarna.  
co.uk

**Italy**

Husqvarna Italia S.p.A.  
Via Santa Vecchia 15  
23868 VALMADRERA (LC)  
Phone: (+39) 0341.203.111  
assistenza.italia@  
it.husqvarna.com

**Japan**

KAKIJICHI Co. Ltd.  
Sumitomo Realty &  
Development Kojimachi  
BLDG., 8F  
5 - 1 Nibannco  
Chiyoda-ku  
Tokyo 102-0084  
Phone: (+81) 33 264 4721  
m\_ishihara@kaku-ichi.co.jp

**Kazakhstan**

LAMED Ltd.  
155/1, Tazhibayevoi Str.  
050060 Almaty  
IP Schmidt  
Abayavenue 3B  
110 005 Kostanay

**Korea**

Kyung Jin Trading CO.,LTD.  
107-4, SunDuk Bld.,  
YangJae-dong,  
Seocho-gu,  
Seoul, (zipcode: 137-891)  
Phone: (+82) (0)2 574-6300

**Kyrgyzstan**

Alye Maki  
av. Moladaya Guardir J 3  
720014  
Bishkek

**Latvia**

Husqvarna Latvija SIA  
Gardena Division  
Ulbrokas 19A  
LV-1021 Riga  
info@gardena.lv

**Lithuania**

UAB Husqvarna Lietuva  
Gardena Division  
Ateities pl. 77C  
LT-52104 Kaunas  
info@gardena.lt

**Luxembourg**

Magasins Jules Neuberger  
39, rue Jacques Stas  
Luxembourg-Gasperich 2549  
Case Postale No. 12  
Luxembourg 2010  
Phone: (+352) 40 14 01  
api@neuberger.lu

**Mexico**

AFOSA  
Av. Lopez Mateos Sur # 5019  
Col. La Calma 45070  
Zapopan, Jalisco, Mexico  
Phone: (+52) 33 3818-3434  
icornejo@afosa.com.mx

**Moldova**

Convel S.R.L.  
290A Muncesti Str.  
2002 Chisinau

**Netherlands**

Husqvarna Nederland B.V.  
GARDENA Division  
Postbus 50131  
1305 AC ALMERE  
Phone: (+31) 36 521 00 10  
info@gardena.nl

**Neth. Antilles**

Jonka Enterprises N.V.  
Sta. Rosa Weg 196  
P.O. Box 8200  
Curaçao  
Phone: (+599) 9 767 66 55  
pgm@jonka.com

**New Zealand**

Husqvarna New Zealand Ltd.  
PO Box 76-437  
Manukau City 2241  
Phone: (+64) (0) 9 9202410  
support.nz@husqvarna.co.nz

**Norway**

Husqvarna Norge AS  
Gardena Division  
Trøskenvæien 36  
1708 Sarpsborg  
Tel: 69 10 47 00  
www.gardena.no

**Peru**

Husqvarna Perú S.A.  
Jr. Ramón Cárcamo 710  
Lima 1  
Tel: (+51) 1 3320400  
ext. 416  
juan.remuzgo@husqvarna.com

**Poland**

Husqvarna  
Poland Spółka z o.o.  
ul. Wysockiego 15 b  
03-371 Warszawa  
Phone: (+48) 22 330 96 00  
gardena@husqvarna.com.pl

**Portugal**

Husqvarna Portugal, SA  
Lagoa - Albarraque  
2635 - 595 Rio de Mouro  
Tel.: (+351) 21 922 85 30  
Fax : (+351) 21 922 85 36  
info@gardena.pt

**Romania**

Madex International Srl  
Soseaua Odaii 117 - 123,  
RO 013603 București, S1  
Phone: (+40) 21 352.76.03  
madex@ines.ro

**Russia / Россия**

ООО „Хускварна“  
141400, Московская обл.,  
г. Химки,  
улица Ленинградская,  
владение 39, стр.6  
Бизнес Центр  
„Химки Бизнес Парк“,  
помещение ОВ02\_04  
http://www.gardena.ru

**Serbia**

Domel d.o.o.  
Autoput za Novi Sad bb  
11273 Belgrade  
Phone: (+381) 1 18 48 88 12  
miroslav.jejina@domel.rs

**Singapore**

Hy-Ray PRIVATE LIMITED  
40 Jalan Pemimpin  
#02-08 Tat Ann Building  
Singapore 577185  
Phone: (+65) 6253 2277  
shiyang@hyray.com.sg

**Slovak Republic**

Husqvarna Česko s.r.o.  
Türkova 2319/5b  
149 00 Praha 4 – Chodov  
Bezplatná infolinka:  
800 154 044  
servis@sk.husqvarna.com

**Slovenia**

Husqvarna Austria GmbH  
Industriezeile 36  
4010 Linz  
Tel.: (+43) 732 77 01 01-485  
service.gardena@  
husqvarnagroup.com

**South Africa**

Husqvarna  
South Africa (Pty) Ltd  
Postnet Suite 250  
Private Bag X6,  
Cascades, 3202  
South Africa  
Phone: (+27) 33 846 9700  
info@gardena.co.za

**Spain**

Husqvarna España S.A.  
Calle de Rivas nº 10  
28052 Madrid  
Phone: (+34) 91 708 05 00  
atencioncliente@gardena.es

**Suriname**

Agrofix n.v.  
Verlengde Hogestraat #22  
Phone: (+597) 472426  
agrofix@sr.net  
Pobox : 2006  
Paramaribo  
Suriname – South America

**Sweden**

Husqvarna AB  
Gardena Division  
S-561 82 Huskvarna  
info@gardena.se

**Switzerland / Schweiz**

Husqvarna Schweiz AG  
Consumer Products  
Industriestrasse 10  
5506 Mägenwil  
Phone:  
(+ 41) (0) 62 887 37 90  
info@gardena.ch

**Turkey**

Dost Bahçe Dış Ticaret  
Mürmessilik A.Ş  
Yunus Mah. Adil Sok. No: 3  
İc Kapi No: 1 Kartal  
34873 İstanbul  
Phone: (+90) 216 38 93 939  
info@dostbahce.com.tr

**Ukraine / Україна**

ТОВ «Хусварна Україна»  
вул. Васильківська, 34,  
офіс 204-г  
03022, Київ  
Tel. (+38) 044 498 39 02  
info@gardena.ua

**Uruguay**

FELI SA  
Entre Ríos 1083 CP 11800  
Montevideo – Uruguay  
Tel : (+598) 22 03 18 44  
info@felisa.com.uy

**Venezuela**

Corporación Casa y  
Jardín C.A.  
Av. Caroní, Edif. Trez-  
men, PB.  
Colinas de Bello Monte.  
1050 Caracas.  
Tlf : (+58) 212 992 33 22  
info@casayjardin.net.ve

8833-20.960.02/0517  
© GARDENA Manufacturing GmbH  
D-89070 Ulm  
http://www.gardena.com