

EVC 1000 Art. 4068

D	Betriebsanleitung Elektro-Vertikutierer	CZ	Návod k použití Elektrický vertikutátor
GB	Operating Instructions Electric Aerator	SK	Návod na použitie Elektrický vertikutátor
F	Mode d'emploi Scarificateur électrique	GR	Οδηγίες χρήσεως Ηλεκτρικός αναμοχλευτής
NL	Instructies voor gebruik Elektrische verticuteermachine	RUS	Инструкция по эксплуатации Аэратор электрический
S	Bruksanvisning Elektrisk Vertikalskärare	SLO	Navodilo za uporabo Električni rahljalnik
DK	Brugsanvisning Elektrisk vertikalskærer	HR	Upute za uporabu Električni prozračivač
FIN	Käyttöohje Sähkökäyttöinen pystyleikkuri	SRB	Uputstvo za upotrebu Električni vertikalator
N	Bruksanvisning Elektrisk vertikalskjærer	UA	Інструкція з експлуатації Аератор електричний
I	Istruzioni per l'uso Scarificatore elettrico	RO	Instrucțiuni de utilizare Aerator / afânător electric
E	Manual de instrucciones Aireador eléctrico	TR	Kullanım Klavuzu Elektro-Çim Havalandırma
P	Instruções de utilização Escarificador de relva eléctrico	BG	Инструкция за експлоатация Електрически аератор за трева
PL	Instrukcja obsługi Elektryczny wertykulator	AL	Manual përdorimi Elektro-Ajrosës
H	Használati útmutató Elektromos mélyszellőztető	EST	Kasutusjuhend Electric muruõhutaja
		LT	Ekspluatavimo instrukcija Elektrinis vejos aeratorius
		LV	Lietošanas instrukcija Elektriskais zālāju aerators



Translation of the original instructions from German. Please read these operating instructions carefully and observe the notes given. Use these operating instructions to familiarise yourself with the Electric Aerator, its proper use and the notes on safety.



For safety reasons, children under the age of 16 and people not familiar with these operating instructions must not use this Electric Aerator. Persons with reduced physical or mental abilities may use the Electric Aerator only if they are supervised or instructed by a responsible person. Children must be supervised to ensure that they do not play with the product. Never operate the product when you are tired, ill or under the influence of alcohol, drugs or medicine.

→ Please keep these operating instructions in a safe place.

Contents

1. Where to Use Your GARDENA Electric Aerator	11
2. For Your Safety	11
3. Function	13
4. Assembly	13
5. Operation	14
6. Maintenance	15
7. Trouble-Shooting	16
8. Storing Your Electric Aerator	17
9. Accessories	18
10. Technical Data	18
11. Service	18

1. Where to Use Your GARDENA Electric Aerator

Intended use

The GARDENA Electric Aerator EVC 1000 is designed for aerating lawns and grassy areas in private domestic and hobby gardens. It is not designed for use in public facilities, parks, sporting grounds, on roads, in agriculture or forestry.

Compliance with these instructions provided by GARDENA is a prerequisite for using the Electric Aerator correctly.

Please note



Attention! To prevent injury, the Electric Aerator must not be used for trimming bushes, hedges and shrubs. In addition, the Electric Aerator must not be used for levelling irregularities in the soil.

2. For Your Safety

→ Please observe the notes on safety on the Electric Aerator.



WARNING !
→ Read instruction handbook!



Sharp prongs can cause injury!



DANGER ! Risk of injury!
→ Keep bystanders away!

→ Unplug from the mains before maintenance or if the mains lead is damaged.

→ Keep mains connection lead away from the aerator.

Checks before each use:

- Inspect the Electric Aerator before each use.
- Do not use the Electric Aerator if safety devices (starter lever, safety interlock, rear flap, housing) are damaged or worn.
- Never operate the unit with the safety devices by-passed or missing.
- Note: Ensure that all nuts, bolts and screws are tight and that the Aerator is in good working order.

For safety reasons, allow all worn out and damaged parts to be exchanged by GARDENA Service or authorised specialist dealers.

- Inspect the area to be aerated before beginning work.
- Check the working area for foreign objects (e.g. stones, branches, string) and remove if necessary.

Proper use / Responsibility:

DANGER ! Risk of injury!
The Aerator can cause serious injuries!

- **Keep hands and feet away from the aerator cylinder.**

You are responsible for the safety of the working area.

- Only use the Electric Aerator for the purposes specified in these instructions.
- Only work when visibility is good.
- During use do not tip the unit and do not open the rear flap.
- Familiarise yourself with the surroundings of your working area. Check for possible risks which might be not audible due to the noise of the machine.
- Wear sturdy shoes and long trousers to protect your legs.
- Ensure you keep your feet a safe distance from the moving parts.
- Make sure that there are no other people (especially children) or animals anywhere near the working area.
- Always push the Aerator at a walking pace.
- Operating position: Ensure that you have a secure foothold when working.

- Be particularly careful if you change direction on a slope.

Attention! Take extra care when walking backwards. You may stumble!

- Do not use the aerator if it is raining or in moist, wet conditions.
- Do not work close to the edge of swimming pools or garden ponds with the aerator.
- Please observe any local restrictions relating to noise levels

Electrical safety:

- Keep the extension cable away from the aerator cylinder!
- Never use the Electric Aerator when it is raining.
- Please observe the prescribed local quiet times.
- The connecting / extension cable must be checked regularly for damage and signs of wear and tear.
- Disconnect the mains plug immediately if the connecting / extension cable is damaged or severed.
 Never touch the mains connection cable before the mains plug has been removed from the socket.

The coupling socket for the extension cable must be waterproof for protection from water splashes or the connection sockets for extension cables must be made of rubber or be encased in rubber.

Extension cables must meet the requirements of DIN VDE 0620.

- Only use approved extension cables with the correct load rating.
- Ask your electrician.

Attachment fittings must be used for extension cables.

For portable units, which are used outdoors, we recommend to use a residual-current device having a residual-current rating ≤ 30 mA.

In Switzerland use of a residual-current device is obligatory.

Interruptions of work:**Never leave the Electric Aerator unattended at the working area.**

- If you interrupt your work store the unit in a safe place. Disconnect the mains plug!
- When you interrupt work in order to go to another working area, always switch off the Electric Aerator during transport. Put the wear compensation lever in the transport position.

If you come into contact with an obstruction during aerating:

1. Turn off the Electric Aerator.
2. Remove the obstruction.
3. Check the Aerator for damage and have it repaired if necessary.

3. Function

Correct aerating:

The Aerator can be used for removing matting and moss in the lawn as well as for cutting flat-rooting ranks.

To maintain a well-cared-for lawn, we recommend aerating the lawn twice a year: in the spring and in the autumn.

- First of all, mow your lawn to the length you require.

We particularly recommend this if the grass has grown tall (e.g. while you were away on holiday).

Recommendation: the shorter you mow your lawn, the easier it is to aerate, thus lessening the strain on the Aerator and increasing the lifetime of the aerator cylinder.

Remaining in one spot too long, or aerating if the ground is wet or too dry can damage the grass.

- For good results, guide the Aerator at an appropriate speed in strips as straight as possible across your lawn.

To avoid leaving any gaps during aerating, the strips should touch.

- Always guide the Aerator at an even speed depending on the type of ground.
- When working on inclines always stand diagonally to the incline in a sturdy, safe stance. Do not work on extremely steep slopes.

Danger of tripping!

To prevent tripping take particular care when moving backwards and when pulling the Aerator.

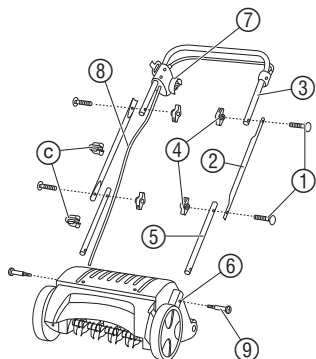
When aerating areas of very mossy lawn we recommend resowing the lawn after aerating. This helps the areas of lawn which were replaced by moss to regenerate more quickly.

4. Assembly

Assembling the handle:

→ Do not place the connecting cable ⑧ under strain during assembly.

1. Insert the two lower sections of the upright ⑤ (with the end with the round hole) in the mountings in the motor casing ⑥ and secure with the crosshead screws ⑨.



2. Insert the two locking bolts ① from outside through the holes in the two central sections ② of the upright and secure to the lower sections of the upright ⑤ with two wing nuts ④.
3. Screw the upper part of the upright with starting handle ③ to the central sections of the upright ② with two more locking bolts ① and the wing nuts ④.

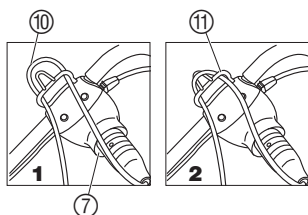
This completes the assembly of the handle.

Warning: Fit the upper section of the upright with starting handle ③ in such a way that the plug ⑦ with the power cable ⑧ is on the right side (in direction of movement) (see fig.).

4. Attach connection cable ⑧ to the handle with the two cable clips ③.

5. Operation

Connect extension cable:



1. Push connector of extension cable ⑩ on to the plug ⑦.
2. Draw a loop of the extension cable ⑩ through the cable strain relief device ⑪ 1 and suspend in position 2.
This prevents inadvertent disconnection of the plug and socket connection.
3. Insert extension cable ⑩ into a mains socket.

Starting Aerator:

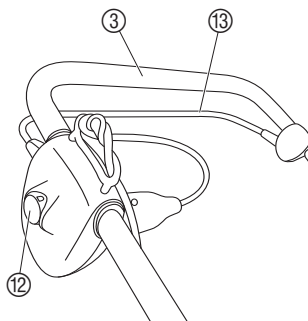


Danger of injury if the Aerator does not switch off automatically!

→ Do **not** remove or bridge safety devices fitted to the Aerator (e.g. by tying the starting lever to the upper handle)!

! DANGER! The Aerator does not stop immediately after the motor has been switched off:

- **Never** lift, tip or carry the Aerator with the motor running!
- **Never** start on solid ground (e.g. asphalt).
- **Always** maintain the safety distance between the aerator cylinder and the user as defined by the guide handle.



1. Place Aerator on flat grass surface.
2. Keep safety interlock ⑫ pressed down and pull starting lever ⑬ on the upper handle ③. *The Aerator starts.*
3. Release safety interlock ⑫.

When in operation, the extension cable ⑩ must always be guided in the direction you are working and to the side of the area to be worked on.

Always work away from the connection cable.

Blockage Protection: If the aerator cylinder is blocked, e.g. by a foreign body, immediately release the starting lever. If the blockage lasts longer than 10 seconds and the starting lever has not been released, blockage protection is activated. In this case immediately release the starting lever. The Aerator can be switched on again after cooling down for approx. 1 minute.



DANGER OF INJURY !

If blockage protection is activated and the starting lever is not released, the Aerator starts again automatically after approx. 1 minute.

6. Maintenance



DANGER ! The aerator cylinder can cause injuries!

- Prior to maintenance, unplug from the mains and wait until the Aerator drum has stopped.
- Wear working gloves for performing maintenance.

Cleaning Aerator:

The Aerator should be cleaned after each time it is used.



Risk of injury and physical damage!

- Do not clean Aerator under running water (particularly under high pressure).
- Do not use hard or pointed objects for cleaning the Aerator.

→ Remove grass and deposits from wheels, aerator cylinder and housing.

Adjusting for wear:

The Aerator is subject to wear in use due to the way in which it works. The more intensively the Aerator is used, the greater the wear on the knives.

Hard or very dry ground accelerates wear as does excessive use of the Aerator.

If the results of your work with the Aerator become increasingly worse due to knife wear, the aerator cylinder can be adjusted twice.

The aerator cylinder has 4 adjustment positions:

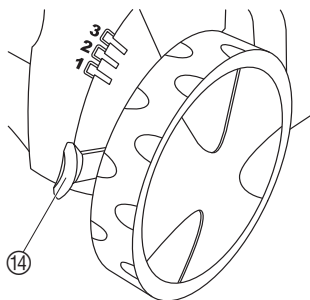
- **Transport position**
- **Aerating position 1 :**
- **Aerating position 2 :**

First adjustment position after knife wear (aerator cylinder lowered by 3 mm).

- **Setting 3 :**

Second adjustment position after knife wear (aerator cylinder lowered by a further 3 mm)

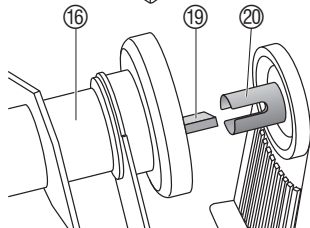
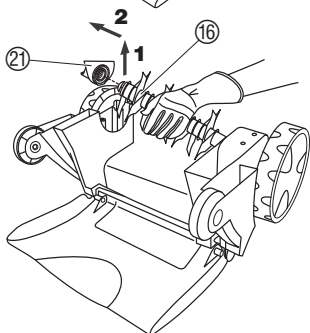
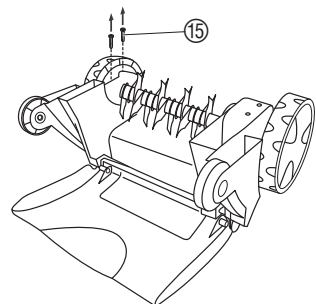
Push wear compensation lever ⑭ gently away from the housing and move to the position required.



Note: Wear adjustment is not used for height adjustment. Adjustment of the aerator cylinder without visible wear can cause damage to the aerator cylinder or overload the motor.

7. Trouble-Shooting

Replacing aerator cylinder:



DANGER! The aerator cylinder can cause injuries!

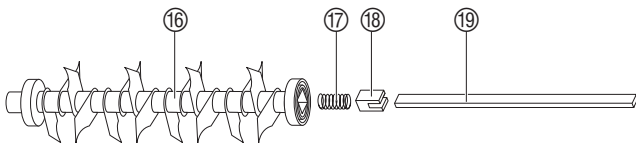
→ Prior to rectifying faults, unplug from the mains and wait until the aerator cylinder has stopped.

→ Wear working gloves when rectifying faults.

If the aerator cylinder is in wear adjustment position 3 and is worn, the aerator cylinder must be replaced.

Only use the **original GARDENA cylinder for art. 4068** which can be ordered via GARDENA-Service.

1. Unscrew two screws 15 on the underside of the housing.
2. Lift aerator cylinder 16 at an angle 1 and pull away the drive shaft 2.
3. Remove bearing shell 21 from the aerator cylinder 16.
4. Push new spring 17, new stop 18 and new torsion spring 19 into the new aerator roller 16.



5. Push new aerator cylinder 16 on to the drive shaft in such a way that the torsion spring 19 is inserted in the gap in the drive shaft 20.
6. Push bearing shell 21 on to the aerator roller 16.
7. Screw bearing shell 21 to the underside of the housing 15, without tightening too much.
8. Set wear compensation to aerator position 1 (see 6. Maintenance "Adjusting for wear").

Problem	Possible Cause	Remedy
Abnormal noise. Clattering in the unit	Foreign bodies on the aerator cylinder are hitting the Aerator.	1. Switch off the Aerator, remove the mains plug from the socket and wait until the Aerator has stopped rotating.
Whistling sound	Foreign bodies blocking the aerator cylinder.	2. Remove foreign bodies. 3. Check aerator immediately, immediately.
	Cogged belt slipping.	→ Have the machine repaired by GARDENA Service.
Motor will not start	Faulty cable.	→ Check cable.
	The conductor cross-section of the extension cable is possibly too low.	→ Contact your electrician.

Problem	Possible Cause	Remedy
Motor cuts out because blocking protection has been activated	Blocked by foreign bodies.	<ol style="list-style-type: none"> 1. Switch off the motor, remove the mains plug from the socket and wait until the Aerator has stopped rotating. 2. Remove foreign bodies. 3. After approx. 1 minute switch on the Aerator.
	Aerating depth too large (aerator cylinder has been adjusted for wear without wear to the knives).	<ol style="list-style-type: none"> 1. Leave motor to cool down. 2. Set adjustment for wear correctly.
	The grass is too tall.	→ Mow the lawn before aerating (see 3. Function "Correct Aerating").
Aerating results are not satisfactory	Aerator cylinder is worn.	→ Adjust aerator cylinder (see Maintenance).
	Cog-belt faulty.	→ Have the machine repaired by GARDENA Service.
	Lawn has grown too tall.	→ Mow the lawn before using the Aerator.
Aerator cylinder no longer turns	Overload protection (torsion bar) is overturned.	→ Replace torsion bar.



In the event of other faults please contact GARDENA Service.
Repairs should only be carried out by GARDENA service centres or dealers authorised by GARDENA.

8. Storing Your Electric Aerator

Storage:

To save space the aerator can be folded up by releasing the wing nuts.

Take care during this process that the cable does not become trapped.

→ Store the Aerator in a dry, closed room to which children cannot gain access.

Transport:

1. Switch off motor, unplug from the mains and wait until the aerator cylinder stops.
2. Move the wear compensation to the transport position and raise the aerator when transporting it over sensitive surfaces, e.g. tiles.

Disposal:

(in accordance with Directive 2012/19/EU)



The product must not be added to normal household waste. It must be disposed of in line with local environmental regulations.

→ Important: Make sure that the unit is disposed of via your municipal recycling collection centre.

9. Accessories

Collecting bag for Electric Aerator EVC 1000

Art. No. 4065

10. Technical Data

Motor power consumption	1,000 W
Mains voltage	230 V
Mains frequency	50/60 Hz
Working speed of the aerator cylinder	2,250 r.p.m.
Aerating width	30 cm
Wear adjustments	3 x 3 mm (3 adjustments + transport)
Working area related emission characteristic value $L_{pA}^{1)}$	78 dB (A)
Uncertainty K_{pA}	3 dB (A)
Noise level $L_{WA}^{2)}$	measured 93 dB (A) / guaranteed 94 dB (A)
Uncertainty K_{WA}	1 dB (A)
Vibrations $a_{vhw}^{1)}$	$\leq 2.5 \text{ m/s}^2$

Measuring method according to 1) EN 13684 2) Directive 2000/14/EC

11. Service

Warranty

GARDENA guarantees this product for 2 years (starting from the date of purchase). This guarantee covers all serious defects of the unit that can be proved to be material or manufacturing faults. Under warranty we will either replace the unit or repair it free of charge if the following conditions apply:

- The unit must have been handled properly and in keeping with the requirements of the operating instructions.
- Neither the purchaser or a non-authorized third party have attempted to repair the unit.

The aerator cylinder is a wearing part and is not covered by the guarantee.

This manufacturer's guarantee does not affect the user's existing warranty claims against the dealer/seller.

If a fault occurs with your Electric Aerator, please return the faulty unit together with a copy of the receipt and a description of the fault, with postage paid to one of the GARDENA Service Centres listed on the back of these operating instructions.

D Produkthaftung

Wir weisen ausdrücklich darauf hin, dass wir nach dem Produkthaftungsgesetz nicht für durch unsere Geräte hervorgerufene Schäden einzustehen haben, sofern diese durch unsachgemäße Reparatur verursacht oder bei einem Teileaustausch nicht unsere Original GARDENA Teile oder von uns freigegebene Teile verwendet werden und die Reparatur nicht vom GARDENA Service oder dem autorisierten Fachmann durchgeführt wird. Entsprechendes gilt für Ergänzungsstücke und Zubehör.

GB Product Liability

We expressly point out that, in accordance with the product liability law, we are not liable for any damage caused by our units if it is due to improper repair or if parts exchanged are not original GARDENA parts or parts approved by us, and, if the repairs were not carried out by a GARDENA Service Centre or an authorised specialist. The same applies to spare parts and accessories.

F Responsabilité

Nous vous signalons expressément que GARDENA n'est pas responsable des dommages causés par ses appareils, dans la mesure où ces dommages seraient causés suite à une réparation non conforme, dans la mesure où, lors d'un échange de pièces, les pièces d'origine GARDENA n'auraient pas été utilisées, ou si la réparation n'a pas été effectuée par le Service Après-Vente GARDENA ou l'un des Centres SAV agréés GARDENA. Ceci est également valable pour tout ajout de pièces et d'accessoires autres que ceux préconisés par GARDENA.

NL Productaansprakelijkheid

Wij wijzen er nadrukkelijk op, dat wij op grond van de wet aansprakelijkheid voor producten niet aansprakelijk zijn voor schade ontstaan door onze apparaten, indien deze door onvakkundige reparatie veroorzaakt zijn, of er bij het uitwisselen van onderdelen geen gebruik gemaakt werd van onze originele GARDENA onderdelen of door ons vrijgegeven onderdelen en de reparatie niet door de GARDENA technische dienst of de bevoegde vakman uitgevoerd werd. Ditzelfde geldt voor extra-onderdelen en accessoires.

S Produktansvar

Tillverkaren är inte ansvarig för skada som orsakats av produkten om skadan beror på att produkten har reparerats felaktigt eller om, vid reparation eller utbyte, andra än Original GARDENA reservdelar har använts. Samma sak gäller för kompletteringsdelar och tillbehör.

DK Produktansvar

Vi gør udtrykkeligt opmærksom på at i henhold til produktansvarsloven er vi ikke ansvarlige for skader forårsaget af vores udstyr, hvis det skyldes uautoriserede reparationer eller hvis dele er skiftet ud og der ikke er anvendt originale GARDENA dele eller dele godkendt af os, eller hvis reparationerne ikke er udført af GARDENA-service eller en autoriseret fagmand. Det samme gælder for ekstra udstyr og tilbehør.

FIN Tuotevastuu

Korostamme nimenomaan, että tuotevastuulain nojalla emme ole vastuussa laitteistamme johtuneista vahingoista, mikäli nämä ovat aiheutuneet epäasianmukaisesta korjauksesta tai osia vaihdettaessa ei ole käytetty alkuperäisiä GARDENA- varaosia tai hyväksymiämme osia ja korjauksen on suorittanut muu kuin GARDENA -huoltokeskus tai valtuuttamamme ammattihenkilö. Tämä pätee myös lisäosiin ja lisävarusteisiin.

I Responsabilità del prodotto

Si rende espressamente noto che, conformemente alla legislazione sulla responsabilità del prodotto, non si risponde di danni causati da nostri articoli se originati da riparazioni eseguite non correttamente o da sostituzioni di parti effettuate con materiale non originale GARDENA o comunque da noi non approvato e, in ogni caso, qualora l'intervento non venga eseguito da un centro assistenza GARDENA o da personale specializzato autorizzato. Lo stesso vale per le parti complementari e gli accessori.

E Responsabilidad de productos

Advertimos que conforme a la ley de responsabilidad de productos no nos responsabilizamos de daños causados por nuestros aparatos, siempre y cuando dichos daños hayan sido originados por arreglos o reparaciones indebidas, por recambios con piezas que no sean piezas originales GARDENA o bien piezas autorizadas por nosotros, así como en aquellos casos en que la reparación no haya sido efectuada por un Servicio Técnico GARDENA o por un técnico autorizado. Lo mismo es aplicable para las piezas complementarias y accesorios.


P Responsabilidade sobre o produto

Queremos salientar que segundo a lei da responsabilidade do fabricante, nós não nos responsabilizaremos por danos causados pelo nosso equipamento, quando estes ocorrerem em decorrência de reparações inadequadas ou da substituição de peças por peças não originais da GARDENA, ou peças não autorizadas. A responsabilidade tornar-se-à nula também depois de reparações realizadas por oficinas não autorizadas pela GARDENA. Esta restrição valerá também para peças adicionais e acessórios.

PL Odpowiedzialność za produkt

Zwracamy Państwa uwagę, że nie ponosimy odpowiedzialności za uszkodzenia naszych maszyn, bądź szkody spowodowane ich wadliwym funkcjonowaniem, powstałe na skutek nieprawidłowo przeprowadzonych napraw lub użycia nieoryginalnych części zamiennych. Naprawy winny być przeprowadzane tylko przez punkty serwisowe Husqvarna lub autoryzowane serwisy. Dotyczy to również części uzupełniających i oprzyrządowania.

<p>D EG-Konformittserkrning</p> <p>Der Unterzeichnete Husqvarna AB, 561 82 Huskvarna, Sweden besttigt, dass die nachfolgend bezeichneten Gerte in der von uns in Verkehr gebrachten Ausfhrung die Anforderungen der harmonisierten EU-Richtlinien, EU-Sicherheitsstandards und produktspezifischen Standards erfullen. Bei einer nicht mit uns abgestimmten nderung der Gerte verliert diese Erklrung ihre Gltigkeit.</p>	<p>H EU azonossgi nyilatkozat</p> <p>Alulirott, Husqvarna AB, 561 82 Huskvarna, Sweden, igazolja, hogy az albb felsorolt, ltalnuk forgalomba hozott termkek megfelelnek az EU elvrsoknak, EU biztonsgi normknak s a termkspecifikus szabvnyoknak egyarnt. A kszlk velnk nem egyeztetett vltoztatsa esetn ez a nyilatkozat rvnyt veszti.</p>
<p>GB EU Declaration of Conformity</p> <p>The undersigned Husqvarna AB, 561 82 Huskvarna, Sweden, hereby certifies that, when leaving our factory, the units indicated below are in accordance with the harmonised EU guidelines, EU standards of safety and product specific standards. This certificate becomes void if the units are modified without our approval.</p>	<p>CZ ES Prohlšení o shod</p> <p>Nie podepsan spolenost Husqvarna AB, 561 82 Huskvarna, Sweden, potvrzuje, e nie oznaeny pstroj v proveden, ktery jsme uvedli na trh, spluje poadavky uvedene v harmonizovanch smrnicch EU, v bezpenostnch standardech EU a v standardech pro dany produkt. V prpad zmeny pstroje, ktera nmi nebyla odsouhlasena, ztrci toto prohlsen platnost.</p>
<p>F Certificat de conformit aux directives europennes</p> <p>Le constructeur, soussign : Husqvarna AB, 561 82 Huskvarna, Sweden, dclare qu' la sortie de ses usines le matriel neuf design ci-dessous tat conforme aux prescriptions des directives europennes nonces ci-aprs et conforme aux rgles de scurit et autres rgles qui lui sont applicables dans le cadre de l'Union europenne. Toute modification porte sur ce produit sans l'accord express de Husqvarna supprime la validit de ce certificat.</p>	<p>SK ES Vyhlasenie o zhode</p> <p>Dolu podpisan spoločnosť Husqvarna AB, 561 82 Huskvarna, Sweden, potvrdzuje, e dalej oznaeny pstroj v vyhotoven nami uvedenom do prevdzky spna poadavky harmonizovanch smernic EU, bezpenostnch standardov EU a standardov specifickch pre produkt. V prpad zmeny pstroja, ktora nebola nami odsuhlasen, stráca toto vyhlsenie platnos.</p>
<p>NL EU-overeenstemmingsverklaring</p> <p>Ondergetekende Husqvarna AB, 561 82 Huskvarna, Sweden, bevestigt, dat het volgende genoemde apparaat in de door ons in de handel gebrachte uitvoering voldoet aan de eis van, en in overeenstemming is met de EU-richtlijnen, de EU-veiligheidsstandaard en de voor het product specifieke standaard. Bij een niet met ons afgestemde verandering aan het apparaat verliest deze verklaring haar geldigheid.</p>	<p>GR Πιστοποιητικό συμφωνίας ΕΚ</p> <p>Η υπογεγραμμένη: Husqvarna AB, 561 82 Huskvarna, Sweden πιστοποιεί ότι τα μηχανήματα που υποδεικνύονται κάτωθι, όταν φεύγουν από το εργοστάσιο, είναι κατασκευασμένα σύμφωνα με τις οδηγίες της Ευρωπαϊκής Κοινότητας, τα Κοινοτικά πρότυπα ασφαλείας και τις προδιαγραφές. Αυτό το πιστοποιητικό δεν ισχύει σε περίπτωση που τα προϊόντα τροποποιηθούν χωρίς την έγκρισή μας.</p>
<p>S EU Tillverkarintyg</p> <p>Undertecknad firma Husqvarna AB, 561 82 Huskvarna, Sweden, intygat hrmed att nedan nmnda produkter verensstmmar med EU:s direktiv, EU:s skerhetsstandard och produktspecifikation. Detta intyg upphr att glla om produkten ndras utan vrt tillstnd.</p>	<p>SLO Izjava o skladnosti s pravili EU</p> <p>Podpisano podjetje, Husqvarna AB, 561 82 Huskvarna, Sweden, potrjuje, da v nadaljevanju navedena naprava v razliici, ki smo jo poslali na trg, izpolnjuje zahteve smernic EU, varnostnih standardov EU in standardov tovrstnih proizvodov. Izjava ne velja za spremembe na napravi, ki niso opravljene v soglasju z nami.</p>
<p>DK EU Overensstemmelse certificat</p> <p>Undertegnede Husqvarna AB, 561 82 Huskvarna, Sweden bekrfter hermed, at enheder listet herunder, ved afsendelse fra fabrikken, er i overensstemmelse med harmoniserede EU retningslinier, EU sikkerhedsstandarder og produkt-specifikationsstandarder. Dette certificat trder ud af kraft hvis enhederne er ndret uden vor godkendelse.</p>	<p>HR Izjava o uskladenju s pravilima EU</p> <p>Potpisana tvrtka Husqvarna AB, 561 82 Huskvarna, Sweden, potvrđuje, da navedene naprave koje smo poslali u trgovine, ispunjuju zahtjeve smjernica EU, sigurnosnih standarda EU i i standarde izvornih proizvoda. Izjava ne važi za promjene na napravama koje nisu napravljene u skladu s nama.</p>
<p>FIN EY-vaatimustenmukaisuusvakuutus</p> <p>Allerikojittanut Husqvarna AB, 561 82 Huskvarna, Sweden vakuuttaa, ett allamainittu laitteet tytvttt tehtaatamme laiteissan yhdenmukaistettujen EY-direktiivien, EY-turvallisuusstandardien ja tuotekohtaisten standardien vaatimukset. Laitteisiin tehty muutokset, joista ei ole sovittu kanssamme, johtavat tmn vakuutuksen raukeamiseen.</p>	<p>RO UE - Certificat de conformitate</p> <p>Prin prezenta Husqvarna AB, 561 82 Huskvarna, Sweden, certifica faptul ca, in momentul in care produsele mentionate mai jos ies din fabrica sunt in concordanta cu directivele UE, standardele de siguranta UE si standardele specifice ale produsului UE. Acest certificat devine nul in cazul modificarii aparatului fr aprobarea noastr.</p>
<p>I Dichiarazione di conformit alle norme UE</p> <p>La sottoscritta Husqvarna AB, 561 82 Huskvarna, Sweden, certifica che il prodotto qui di seguito indicato, nei modelli da noi commercializzati,  conforme alle direttive armonizzate UE nonch agli standard di sicurezza e agli standard specifici di prodotto. Qualunque modifica apportata al prodotto senza nostra specifica autorizzazione invalida la presente dichiarazione.</p>	<p>BG EC-Декларация за съответствие</p> <p>Подписаната фирма Husqvarna AB, 561 82 Huskvarna, Sweden декларира, че описаните подолу уреди, пуснати в продажба съгласно нашата спецификация, изпълняват изискванията на хармонизираните ЕС-директиви, ЕС-станданти за безопасност и специфичните производствени стандарти. При промяна на уреда, която не е съгласувана с нас, тази декларация губи своята валидност.</p>
<p>E Declaracin de conformidad de la UE</p> <p>El que suscribe Husqvarna AB, 561 82 Huskvarna, Sweden, declara que la presente mercanca, objeto de la presente declaracin, cumple con todas las normas de la UE, en lo que a normas tcnicas, de homologacin y de seguridad se refiere. En caso de realizar cualquier modificacin en la presente mercanca sin nuestra previa autorizacin, esta declaracin pierde su validez.</p>	<p>EST ELI vastavusdeklaratsioon</p> <p>Allkirjutatu Husqvarna AB, 561 82 Huskvarna, Sweden kinnitab, et kirjeldatud seade vastab meie poolt ringluses viidud kujul ELi harmoniseeritud direktiividele, ELi ohutusstandarditele ja tootega seotud standarditele. Meiega kooskõlastamata muudatuse tegemise korral seadmel kaotab see deklaratsioon kehtivuse.</p>
<p>P Certificado de conformidade da UE</p> <p>Os abaixo mencionados Husqvarna AB, 561 82 Huskvarna, Sweden, por este meio certificam que ao sair da fbrica o aparelho abaixo mencionado est de acordo com as diretrizes harmonizadas da UE, padres de segurana e de produtos especifcos. Este certificado ficar nulo se a unidade for modificada sem a nossa aprovao.</p>	<p>LT ES Atitikties deklaracija</p> <p>Pasirašanti Husqvarna AB, 561 82 Huskvarna, Sweden patvirtina, kad emiau nurodyti prietaisai ir jy modeliai, kuriuos paleidome j apyvart, patenkina harmonizuotas ES direktyvas, ES saugumo standartus ir specifinius gaminio standartus. Atlikus bet kj prietaiso pakeitimus, kuris nra suderintas su mumis, ši deklaracija praranda galiojim.</p>
<p>PL Deklaracja zgodności Unii Europejskiej</p> <p>Niej podpisywany Husqvarna AB, 561 82 Huskvarna, Sweden, potwierdza, e poniej opisane urzdzenie w wykonaniu wprowadzonym przez nas do obrotu spenia wymogi zharmonizowanych wytycznych Unii Europejskiej, standardw bezpieczestwa Unii Europejskiej i standardw specyficznych dla danego produktu. W przypadku wprowadzenia zmian nie uzgodnionych z nami wyjanienie to traci swoj wnoc.</p>	<p>LV ES-atbilstības deklarācija</p> <p>Parakstijiesus Husqvarna AB, 561 82 Huskvarna, Sweden, Vcija apstiprina, ka sekojoši apzīmētās iekrtas, kuras mēs izplatām, sav izpildījum atbilst harmonizētajām ES direktīvām, ES drošības standartiem un produkta specifiskajiem standartiem. Ar mūsu neapstiprinātām izmaiņām iekrt šī deklarācija zaudē savu derīgumu.</p>

Bezeichnung des Gerätes: Elektro-Vertikutierer Description of the unit: Electric Aerator Désignation du matériel : Scarificateur électrique Omschrijving van het apparaat: Elektrische verticuteermachine Produktbeskrivning: Elektrisk Vertikalskärare Beskrivelse af enhederne: Elektrisk vertikalskærer Laitteen nimitys: Sähkökäyttöinen pystyleikkuri Descrizione del prodotto: Scarificatore elettrico Descripción de la mercancía: Aireador eléctrico Descrição do aparelho: Escarificador de relva eléctrico Opis urządzenia: Elektryczny wertykulator A készülék megnevezése: Elektromos mlyszellőztető Označení přístroje: Elektrický vertikutátor Označenie prístroja: Elektrický vertikutátor Ονομασία της συσκευής: Ηλεκτρικός ανμοχλευτής Oznaaka naprave: Električni rahljalnik Descrierea articolului: Aerator / afaător electric Обозначение на уредите: Электрически аератор за трева Seadmete nimetus: Electric muruõhutama Gaminio pavadinimas: Elektrinis vejos aeratorius Iekārtu apzīmējums: Elektriskais zālāju aerators	Schall-Leistungspegel: gemessen / garantiert Noise level: measured / guaranteed Puissance acoustique : mesurée / garantie Geluidsniveau: gemeten / gegarandeerd Ljudnivå: uppmått / garanterad Lydtryksniveau: afmålt / garanti Melun tehutaso: mittattu / taattu Livello rumorosità: testato / garantito Nivel sonoro: medido / garantizado Nível de ruído: medido / garantido Poziom hałas: zmierzony / gwarantowany Zajszint: mért / garantált Hladina hluku: naměřeno / zaručeno Výkonová úroveň hluku: měřená / zaručená Στάθμη ηχητικής πίεσης: μετρηθείσα / εγγυημένη Glasnost: izmerjeno / garantirano Nivelul de zgomot: măsurat / garantat Ниво на шума и мощността: измерено / гарантирано Helivõimsuse tase: mõõdetud / tagatud Garso galios lygis: išmatuotas / garantuotas Skaņas jaudas līmenis: izmērīts / garantētais 93 dB (A) / 94 dB (A)
Typ: Art.-Nr.: Típusok: Cikkszám: Type: Art. No.: Typ: Č. výr.: Type : Référence : Typ: Č. výr.: Typ: Art. nr.: Τύπος: Κωδ. Νο.: Type: Art.nr.: Tip: Št. art.: Type: Varenr.: Tipuri: Nr art.: Tyypit: Art.-n:o: Типове: Арт.-№: Modello: Art.: Tüübid: Toote nr.: Tipo: Art. Nº: Tipas: Gaminio Nr.: Tipo: Art. Nº: Tipi: Art.-Nr.: Typ: Nr art.: EVC 1000 4068	Anbringungsjahr der CE-Kennzeichnung: CE bejegyzés kelte: Year of CE marking: Rok pridelení značky CE: Date d'aposition du marquage CE: Rok pridelenia označenia CE: Installatiejaar van de CE-aanduiding: Έτος πιστοποιητικού ποιότητας CE: CE-Märkningsår: Leto namestitve oznake CE: CE-Mærkningsår: Anul de marcare CE: CE-merkin kiinnitysvuosi: Година на поставяне на CE-маркировка: Anno di rilascio della certificazione CE: CE-märgistuse paigaldamise aasta: Colocación del distintivo CE: CE- markējuma uzlikšanas gads: Ano de marcação pela CE: CE-ženku: Rok nadania znaku CE: 2004
EU-Richtlinien: EU szabványok: EU directives: Směrnice EU: Directives européennes : Smernice EU: EU-richtlijnen: Προδιαγραφές ΕΚ: EU direktiv: Smernice EU: EU Retningslinier: Directive UE: EY-direktiivit: ЕС-директиви: Directive UE: ELI direktiivid: Normativa UE: ES direktivos: Directrices da UE: ES-direktivas: Dyrektywy UE:	2004/108/EC 2000/14/EC 2006/42/EC 2011/65/EC
Harmonisierte EN: EN ISO 12100 EN 60335-1	EN 60335-2-92 EN 13684
Hiinterlegte Dokumentation: GARDENA Technische Dokumentation M. Kugler 89079 Ulm Deposited Documentation: GARDENA Technical Documentation M. Kugler 89079 Ulm Documentation déposée : Documentation technique GARDENA M. Kugler 89079 Ulm Konformitätsbewertungsverfahren: Nach 2000/14/EG Art. 14 Anhang V Conformity Assessment Procedure: according to 2000/14/EC Art. 14 Annex V Procédure d'évaluation de la conformité : Selon 2000/14/CE art. 14 Annexe V	Ulm, den 08.01.2014 Ulm, 08.01.2014 Fait à Ulm, le 08.01.2014 Ulm, 08-01-2014 Ulm, 2014.01.08. Ulm, 08.01.2014 Ulmissa, 08.01.2014 Ulm, 08.01.2014 Ulm, 08.01.2014 Ulm, 08.01.2014 Ulm, 08.01.2014 Ulm, 08.01.2014 V Ulmu, dne 08.01.2014 Ulm, 08.01.2014 Ulm, 08.01.2014 Ulm, 08.01.2014 Ulm, 08.01.2014 Ulm, 08.01.2014 Ulm, 08.01.2014 Ulm, 08.01.2014 Ulm, 08.01.2014 Ulm, 2014.01.08 Ulma, 08.01.2014 Der Bevollmächtigte Authorised representative Représentant légal Gemachtigde Behörig Firmatecknare Teknisk direktör Valtuutettu edustaja Rappresentante autorizzato Representante autorizado Representante autorizado Uprawniony do reprezentacji Meghatalmazott Zplnomocněnec Splnomocnenec Νόμιμος εκπρόσωπος της εταιρίας Vodja tehničnega oddelka Conducerea tehnică Упълномощен Volitatus esindaja Įgaliotasis atstovas Pilnvarotā persona  Peter Lameli Chief Technical Officer

Deutschland / Germany

GARDENA GmbH
Central Service
Hans-Lorenser-Straße 40
D-89079 Ulm
Produktfragen:
(+49) 731 490-123
Reparaturen:
(+49) 731 490-290
service@gardena.com

Albania

COBALT Sh.p.k.
Rr. Siri Kodra
1000 Tirana

Argentina

Husqvarna Argentina S.A.
Av.del Libertador 5954 –
Piso 11 – Torre B
(C1429ARP) Buenos Aires
Phone: (+54) 11 5194 5000
info.gardena@
ar.husqvarna.com

Armenia

Garden Land Ltd.
61 Tigran Mets
00015 Yerevan

Australia

Husqvarna Australia Pty. Ltd.
Locked Bag 5
Central Coast BC
NSW 2252
Phone: (+61) (0) 2 4352 7400
customer.service@
husqvarna.com.au

Austria / Österreich

Husqvarna Austria GmbH
Consumer Products
Industriezeile 36
4010 Linz
Tel.: (+43) 732 77 01 01-90
consumer.service@
husqvarna.at

Azerbaijan

Firm Progress
a. Aliyev Str. 26A
10522 Baku

Belgium

GARDENA Belgium NV/SA
Sterrebeekstraat 163
1930 Zaventem
Phone: (+32) 2 720 92 12
Mail: info@gardena.be

Bosnia / Herzegovina

SILK TRADE d.o.o.
Industrijska zona Bukva bb
74260 Tešanj

Brazil

Husqvarna do Brasil Ltda
Av. Francisco Matarazzo,
1400 – 19º andar
São Paulo – SP
CEP: 05001-903
Tel: 0800-112252
marketing.br.husqvarna@
husqvarna.com.br

Bulgaria

Хускварна България ЕООД
Бул. „Андрей Липчев“ № 72
1799 София
Тел.: (+359) 02/9753076
www.husqvarna.bg

Canada / USA

GARDENA Canada Ltd.
100 Summerlea Road
Brampton, Ontario L6T 4X3
Phone: (+1) 905 927 9330
info@gardena.ca

Chile

Maquinarias Agroforestales
Ltda. (Maga Ltda.)
Santiago, Chile
Avda. Chesterton
8355 comuna Las Condes
Phone: (+56) 2 202 4417
Dalton@мага.cl
Zipcode: 7560330

Temuco, Chile

Avda. Valparaiso # 01466
Phone: (+56) 45 222 126
Zipcode: 4780441

China

Husqvarna (China) Machinery
Manufacturing Co., Ltd.
No. 1355, Jia Xin Rd.,
Ma Lu Zhen, Jia Ding Dist.,
Shanghai
201801
Phone: (+86) 21 59159629
Domestic Sales
www.gardena.com.cn

Colombia

Husqvarna Colombia S.A.
Calle 18 No. 68 D-31, zona
Industrial de Montevideo
Bogotá, Cundinamarca
Tel. 571 2922700 ext. 105
jairo.salazar@
husqvarna.com.co

Costa Rica

Compania Exim
Euroiberoamericana S.A.
Los Colegios, Moravia,
200 metros al Sur del Colegio
Saint Francis – San José
Phone: (+506) 297 68 83
exim_euro@racsa.co.cr

Croatia

SILK ADRIA d.o.o.
Josipa Lončara 3
10090 Zagreb
Phone: (+385) 1 3794 580
silk.adria@zg.t-com.hr

Cyprus

Med Marketing
17 Digeni Akritas Ave
P.O. Box 27017
1641 Nicosia

Czech Republic

Husqvarna Česko s.r.o.
Türkova 2319/5b
149 00 Praha 4 – Chodov
Bezplatná infolinka:
800 100 425
servis@cz.husqvarna.com

Denmark

GARDENA / Husqvarna
Consumer Outdoor Products
Salgsafdelning Danmark
Box 9003
S-200 39 Malmö
info@gardena.dk

Dominican Republic

BOSQUESA, S.R.L.
Carretera Santiago Licey
Km. 5 ½
Esquina Copal II.
Santiago, Dominican Republic
Phone: (+809) 736-0333
joserbosquesa@claro.net.do

Ecuador

Husqvarna Ecuador S.A.
Arupos E1-181 y 10 de Agosto
Quito, Pichincha
Tel. (+593) 22800739
francisco.jacome@
husqvarna.com.ec

Estonia

Husqvarna Eesti OÜ
Consumer Outdoor Products
Kesk tee 10, Aaviku küla
Rae vald
Harju maakond
75305 Estonia
kontakt.etj@husqvarna.ee

Finland

Oy Husqvarna Ab
Consumer Outdoor Products
Lautatarhankatu 8 B / PL 3
00581 HELSINKI
info@gardena.fi

France

GARDENA France
Immelle Expositiel
9-11 allee des Pierres Mayettes
ZAC des Barbanniers, B.P. 99
-F. 92232 GENNEVILLIERS
cedex
Tél. (+33) 01 40 85 30 40
service.consommateurs@
gardena.fr

Georgia

AT Group
Bilashvili 8
1159 Tbilisi

Great Britain

Husqvarna UK Ltd
Preston Road
Aycliffe Industrial Park
Newton Aycliffe
Consumer Durham
DL5 6UP
info.gardena@
husqvarna.co.uk

Greece

Π. ΠΑΠΑΔΟΠΟΥΛΟΣ ΑΕΒΕ
Λεωφ. Αθηνών 92
Αθήνα
T. K. 104 42
Athlssa
Τηλ. (+30) 210 51 93 100
info@papadopoulos.com.gr

Hungary

Husqvarna Magyarorszag Kft.
Ezred u. 1-3
1044 Budapest
Telefon: (+36) 1 251-4161
vevoszolgalat.husqvarna@
husqvarna.hu

Iceland

O. Johnson & Kaaber
Tunguhalsi 1
110 Reykjavik
oj@ojk.is

Ireland

Husqvarna UK Ltd
Preston Road
Aycliffe Industrial Park
Newton Aycliffe
County Durham
DL5 6UP
info.gardena@
husqvarna.co.uk

Italy

Husqvarna Italia S.p.A.
Via Como 72
23868 VALMADRERA (LC)
Phone: (+39) 0341.203.111
info@gardenaitalia.it

Japan

KAKUJICHI Co. Ltd.
Sumitomo Realty &
Development Kojimachi
BLDG., 8F
5-1 Nibanencho
Chiyoda-ku
Tokyo 102-0084
Phone: (+81) 33 264 4721
m_ishihara@kaku-ichi.co.jp

Kazakhstan

LAMED Ltd.
155/1, Tazhibayevoy Str.
050060 Almaty
IP Schmidt
Abayavenue 3B
110 005 Kostanay

Korea

Kyung Jin Trading Co., LTD.
107-4, SunDuk Bld.,
YangJae-dong,
Seocho-gu,
Seoul, (zipcode: 137-891)
Phone: (+82) (0)2 574-6300

Kyrgyzstan

Alye Maki
av. Molodaya Guardir J 3
720014
Bishkek

Latvia

Husqvarna Latvija
Consumer Outdoor Products
Bakūzī iela 6
LV-1024 Rīga
info@husqvarna.lv

Lithuania

UAB Husqvarna Lietuva
Consumer Outdoor Products
Atėties pl. 77C
LT-52104 Kaunas
centras@husqvarna.lt

Luxembourg

Magasins Jules Neuberg
39, rue Jacques Stas
Luxembourg-Gaspich 2549
Case Postale No. 12
Luxembourg 2010
Phone: (+352) 40 14 01
api@neuberg.lu

Mexico

AFOSA
Av. Lopez Mateos Sur # 5019
Col. La Calma 45070
Zapopan, Jalisco
Mexico
Phone: (+52) 33 3818-3434
icornejo@afosa.com.mx

Moldova

Comvel S.R.L.
290 A Muncestii Str.
22002 Chisinau

Netherlands

GARDENA Nederland B.V.
Postbus 50176
1305 AD ALMERE
Phone: (+31) 36 521 00 00
info@gardena.nl

Neth. Antilles

Jonka Enterprises N.V.
Sta. Rosa Weg 196
P.O. Box 8200
Curaçao
Phone: (+599) 9 767 66 55
pjm@jonka.com

New Zealand

Husqvarna New Zealand Ltd
PO Box 76-437
Manukau City 2241
Phone: (+64) (0) 9 9202410
support.nz@husqvarna.co.nz

Norway

GARDENA
Husqvarna Consumer
Outdoor Products
Salgskontor Norge
Kleiverveien 6
1540 Vestby
info@gardena.no

Peru

Husqvarna Perú S.A.
Jr. Ramón Cárcamo 710
Lima 1
Tel: (+51) 1 3320400 ext.416
juan.remuzog@
husqvarna.com

Poland

Husqvarna
Poland Spółka z o.o.
ul. Wysockiego 15 b
03-371 Warszawa
Tel.: (+351) 21 922 85 30
Fax: (+351) 21 922 85 36
info@gardena.pt

Portugal

Husqvarna Portugal, SA
Lagoa - Albarraque
2635 - 595 Rio de Mouro
Tel.: (+351) 21 922 85 30
Fax: (+351) 21 922 85 36
info@gardena.pt

Romania

Madex International Srl
Soseaua Odaii 117-123,
RO 013603
Bucuresti, S 1
Phone: (+40) 21 352.76.03
madex@ines.ro

Russia

ООО „Хускварна“
141400, Московская обл.,
г. Химки,
улица Ленинградская,
владение 39, стр.6
Бизнес Центр
„Химки Бизнес Парк“,
помещение ОВ02_04

Serbia

Domel d.o.o.
Autoput za Novi Sad bb
11273 Belgrade
Phone: (+381) 118488812
miroslav.jejina@domel.rs

Singapore

Hy-Ray PRIVATE LIMITED
44 Jalan Pampin
#02-08 Tat Ann Building
Singapore 577185
Phone: (+65) 6253 2277
shiyng@hyrray.com.sg

Slovak Republic

Husqvarna Česko s.r.o.
Türkova 2319/5b
149 00 Praha 4 – Chodov
Bezplatná infolinka:
800 154 044
servis@sk.husqvarna.com

Slovenia

Husqvarna Austria GmbH
Consumer Products
Industriezeile 36
4010 Linz
Tel.: (+43) 732 77 01 01-90
consumer.service@
husqvarna.at

South Africa

Husqvarna
South Africa (Pty) Ltd
Postnet Suite 250
Private Bag X6,
Cascades, 3202
South Africa
Phone: (+27) 33 846 9700
info@gardena.co.za

Spain

Husqvarna España S.A.
C/ Basauri, nº 6
La Florida
28023 Madrid
Phone: (+34) 91 708 05 00
atencioncliente@gardena.es

Suriname

Agrofriv n.v.
Verlengde Hogestraat #22
Phone: (+597) 472426
agrofriv@sr.net
Pobox : 2006
Paramaribo
Suriname – South America

Sweden

Husqvarna AB
S-561 82 Huskvarna
info@gardena.se

Switzerland / Schweiz

Husqvarna Schweiz AG
Consumer Products
Industriestrasse 10
5506 Mägenwil
Phone: (+41) (0) 62 887 37 90
info@gardena.ch

Turkey

GARDENA Dost Diş Ticaret
Mümesillik A.Ş.
Sanayi Cad. Adil Sokak
No: 1/B Kartal
34873 Istanbul
Phone: (+90) 216 38 93 939
info@gardena-dost.com.tr

Ukraine / Україна

ТОВ «Хусварна Україна»
вул. Васильківська, 34,
офіс 204-р
03022, Київ
Тел. (+380) 044 498 39 02
info@gardena.ua

Uruguay

FELI SA
Entre Ríos 1083 CP 11800
Montevideo – Uruguay
Tel: (+598) 22 03 18 44
info@felisa.com.uy

Venezuela

Corporación Casa y Jardín C.A.
Av. Caroní, Edif. Trezmen, BP.
Colinas de Bello Monte.
1050 Caracas.
Tlf: (+58) 212 992 33 22
info@casayjardin.net.ve

4068-20 960.09/0914
© GARDENA
Manufacturing GmbH
D-89070 Ulm
http://www.gardena.com