

Art. 1820

- E Manual de instrucciones**  
Temporizador de riego electrónico C 14 e
- 
- P Instruções de utilização**  
Relógio electrónico de Rega C 14 e
- 
- D Betriebsanleitung**  
Bewässerungsuhr electronic C 14 e
- 
- GB Operating Instructions**  
Water Timer Electronic C 14 e
- 
- PL Instrukcja obsługi**  
Sterownik nawadniania electronic C 14 e
- 
- RO Instrucțiuni de utilizare**  
Programator de udat electronic C 14 e
- 
- H Használati utasítás**  
C14 e elektronikus vízprogramozó óra

**Contenido**  
**Conteúdo**  
**Inhalt**  
**Contents**  
**Treść**  
**Continutul**  
**Tartalomjegyzék**

**Página**  
**Página**  
**Seite**  
**Page**  
**Strona**  
**Paginile**  
**Oldal**

**E**

Manual de instrucciones  
Garantía

4 - 12  
69

**P**

Instruções de utilização  
Garantia

13 - 21  
69

**D**

Betriebsanleitung  
Garantie

22 - 32  
70

**GB**

Operating Instructions  
Guarantee

33 - 41  
70

**PL**

Instrukcja obsługi  
Gwarancja

42 - 50  
71

**RO**

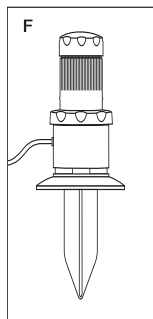
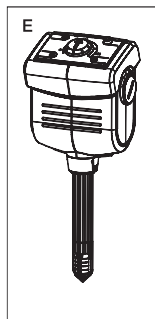
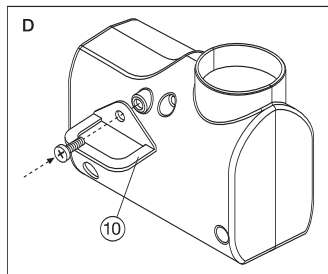
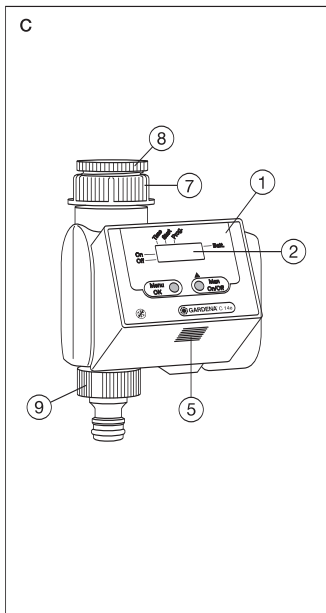
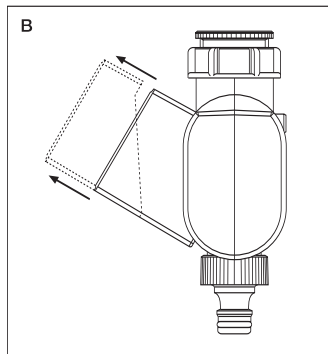
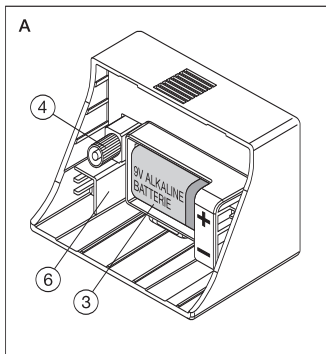
Instrucțiuni de utilizare  
Garanție

51 - 59  
71

**H**

Használati utasítás  
Garancia

60 - 68  
72



## Water Timer Electronic C 14 e

### 1. Notes on these Operating Instructions

Translation of the original instructions from German. Please read these operating instructions carefully and observe the notes given. Use these operating instructions to familiarise yourself with the Water Timer, the unit's features and proper use as well as with the notes on safety.



**For safety reasons, children and young people under 16 as well as anyone who is not familiar with these operating instructions may not use the Water Timer. Persons with reduced physical or mental abilities may use the product only if they are supervised or instructed by a responsible person.**

**Keep these operating instructions in a safe place.**

### 2. Proper Use

The GARDENA Water Timer Electronic C 14 e is suitable and determined for private use in domestic and hobby gardens, exclusively for outdoor use, to control sprinklers and watering systems.



**The Water Timer must not be used for industrial purposes or in conjunction with chemicals, foodstuffs, easily flammable and explosive materials.**

Compliance with the operating instructions provided by the manufacturer is a prerequisite to ensure proper use of the GARDENA Water Timer Electronic.

The operating instructions also contain operating, servicing and maintenance conditions.

### 3. Technical Data

Operating pressure:	1 - 12 bar
Flow medium:	clean fresh water
Max. water temperature:	40 °C
Watering cycles:	14
Battery:	1 × 9 V alkali-manganese (alkaline) type IEC 6LR61
Service life of the battery:	approx. 1 year

## 4. How the Water Timer Electronic Works

This GARDENA Water Timer Electronic C 14 e allows you to set different watering cycles for different watering times independent of whether you are using a sprinkler, a sprinkler system installation or a drip-head watering system to water your garden.

Your Water Timer Electronic will water your garden completely automatically according to the program you choose. You can set the timer to water your garden early in the morning or late at night when water evaporates the least, or while you are on holiday.

## 5. Operating Parts

- ① Control unit
- ② Display
- ③ Battery compartment
- ④ Connection plug for control unit
- ⑤ Release button for control unit
- ⑥ Connection for Soil Moisture Sensor / Rain Sensor
- ⑦ Sleeve nut

### Accompanying accessories

- ⑧ G  $\frac{3}{4}$  adaptor for sleeve nut
- ⑨ GARDENA threaded tap connector

### Option

- ⑩ Anti-theft protection

## 6. Preparation for Use

Before you use your Water Timer Electronic you must:

1. Insert the battery
2. Connect the Water Timer Electronic to the tap
3. Set the watering program

### 6.1 Inserting the Battery (Fig. A)

1. Remove the control unit ① from the housing of the Water Timer by pressing the release button ⑤ (see Fig. B/C).
2. Insert the battery (only use a 9 V alkaline battery) in the battery compartment (Fig. A).

- Note:** When inserting the battery pay attention to the **+/- markings**.
3. Reattach the control unit to the housing.

### 6.2 Connecting the Water Timer to the Tap (Fig. C)

The Water Timer is fitted with a sleeve nut for taps with a **33.3 mm (G1)** thread.

### **Adaptor for G 3/4 thread (26.5 mm)**

The adaptor supplied allows the Water Timer to be connected to taps with a G 3/4 thread (26.5 mm). If you are using the adaptor, screw **the adaptor onto the tap** before screwing the Water Timer onto the adaptor.

**Warning! Attach and screw on manually. Do not use pliers!**

### **6.3 Function Keys and Display (Fig. C)**

**Note:** The Water Timer control unit ① can be removed (Fig. B). This allows you to set the watering program somewhere other than where the Water Timer is to be used.

#### **Menu-O.K.**

→ Changes to the next stage of the program. Simultaneously accepts and confirms the data you have entered using the **man.** key.

#### **On/Off-man.**

→ Used to change the individual data (e.g. counting hours, minutes, ...)

→ To switch a connected watering system on and off manually.

#### **LCD Display**

##### **Note:**

- In the entry mode the corresponding display flashes.
- At high temperatures (over 60 °C at the display) the LCD may extinguish. This has no effect on the program sequence. Once the LCD display cools down, the display will appear again.

#### **On**

Status display – The connected watering system is active.

#### **Off**

Status display – The connected watering system is inactive.

#### **Time (current time)**

→ In the programming mode:   Hours – Hours of the current time  
  Minutes – Minutes of the current time

#### **Start**

→ Starting time; when the watering system becomes active.

Hours – Hour when devices become active

Minutes – Minutes when devices become active

#### **Cycle**

Displays selected program.

## 6.4 Programming

### **Entering the Current Data**

1. Press the **O.K.** key  
→ the hours (Time) start flashing.
2. You can enter the time using the **man.** key, e.g. 9:00.
3. Use the **O.K.** key to confirm the hour you have entered and to allow you to enter the minutes.
4. Select the minutes using the **man.** key, e.g. 23.
5. Confirm your entry by pressing the **O.K.** key and switch to the starting time.

### **Entering the Starting Time**

1. Use the **man.** key to enter the hours of the starting time, e.g. 7.  
Then press the **O.K.** key to confirm your entry and to enter the minutes.
2. Once again, use the **man.** key to set the minutes of the starting time, e.g. 30.  
Confirm your entry by pressing the **O.K.** key. You can now choose your program.

### **Active Program**

1. Choose a program listed in the section "Program Overview". Press the **man.** key repeatedly until the program number you require appears on the display.  
**Note:** With the combination 00 ("Stand-by") no program is active.
  2. Confirm your selection by pressing the **O.K.** key.
- You have now successfully programmed your Water Timer. The current time now appears on the display.

### **Note**

- You can jump to the next program level at any time during the programming sequence by pressing the **O.K.** key (current time, starting time, program number). The set data is then simultaneously accepted.
- If you do not enter data within 120 seconds, you automatically leave the programming mode and the LCD shows the current time (normal display). Any changes you have made previously are applied.
- You have now successfully programmed your Water Timer. Your garden will now be watered automatically at the programmed times.

### **Display During Active Time**

#### **Example:**

- The current time is 8:45 am
- **On** is lit; this means watering is in progress (active)
- The double dots between the hours and minutes of the time are flashing; this means the clock is running.

You can start or end the watering prematurely at any time by pressing the **man.** key. The watering time is then 30 minutes.

### **Read/Change Program**

To check the data, you can repeatedly press the **O.K.** key to run through the program levels. The levels are selected and checked consecutively. This does not interrupt the current program cycle.

To change the data, proceed as described above.

### **Program Overview**

<b>Program number</b>	<b>Cycle</b>	<b>Duration</b>
<b>00</b>	No program active	
<b>01</b>	6 hours (4 times daily)	3 minutes
<b>02</b>	12 hours (twice daily)	3 minutes
<b>03</b>	12 hours (twice daily)	15 minutes
<b>04</b>	24 hours (once a day)	3 minutes
<b>05</b>	24 hours (once a day)	5 minutes
<b>06</b>	24 hours (once a day)	30 minutes
<b>07</b>	24 hours (once a day)	1 hour
<b>08</b>	2 days	5 minutes
<b>09</b>	2 days	30 minutes
<b>10</b>	2 days	1 hour
<b>11</b>	3 days	30 minutes
<b>12</b>	3 days	1 hour
<b>13</b>	7 days	1 hour
<b>14</b>	7 days	2 hours

### **Manual, programming-independent On/Off (man.)**

Before and after entering data, you can operate the GARDENA Water Timer electronic C 14 e manually, independent of the programmed data. To do this, press the **man.** key.

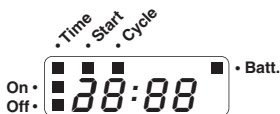
Press the **MAN** key once to activate watering for a maximum of 30 minutes (LCD: **On**). Press the **man.** key again to end watering.



## 7. Changing the Battery / Testing the Battery



To ensure the Water Timer runs safely, only a 9 V alkali-manganese battery (alkaline) type IEC 6LR61 must be used.



If the battery voltage falls below a **certain level** the **Batt.** indicator appears. It is possible to initiate watering manually even if the battery capacity is too low (valve no longer opens), but programmed watering times, however, are not initiated.

Even if the **battery capacity is too low** to run a program, if the valve is open it will be closed.

The battery voltage is tested **between the opening and the closing pulse**. In this way you can test the capability of the battery **at any time**. To do this, press two times the **On/Off-man.** key. If the valve closes and the **Batt.** indicator does not appear then the battery is functioning. If the display disappears and only the **Batt.** indicator is visible, the battery has to be changed.



**Previously set data is lost when replacing the battery. Program the Water Timer subsequently again.**

For notes on changing the battery see "Inserting the Battery".

**Hint!** Please return the flat battery to a GARDENA dealer or dispose of it properly at your nearest recycling centre. Only dispose of battery **when it is flat**.

## 8. Notes on Safety and Operation

- The minimum water output to ensure that the Water Computer functions correctly is 20- 30 l/h.  
For example, at least 10 x 2-litre Drip Heads are required to control the Micro-Drip-System.
- To prevent water penetrating the battery compartment the Water Timer must only be mounted in a perpendicular position with the sleeve nut pointing upwards.
- Program the Water Timer with the tap turned off. In this way you can avoid getting wet when trying out the manual On/Off function. You can remove the control unit from the housing to program the Water Timer.
- The Water Timer must only be used outdoors.  
**Warning!** The Water Timer must not be used indoors.

- The Water Timer must be stored in a dry place away from frost before the frosty season begins.
- The max. temperature for the water flow is 40 °C.
- The minimum operating pressure is 1 bar, the maximum operating pressure is 12 bar.
- Check the filter in the sleeve nut ⑦ regularly and clean if necessary.
- Avoid tensile strain. Do not pull the hose connected to the Water Timer Electronic.
- Only use clear fresh water.

## 9. Anti-Theft Protection (Fig. D)

To protect your Water Timer against theft, the GARDENA anti-theft protection ⑩ (1815-00.791.00) is available at GARDENA Service. The bracket on the anti-theft protection is fitted onto the back of the unit. Note that the screw included cannot be loosened once it has been screwed in. The bracket can be used, for example, to attach a chain.

## 10. GARDENA Soil Moisture Sensor (Fig. E)

Together with the GARDENA Soil Moisture Sensor (Art. No. 1188) watering is controlled considering the soil moisture.

### Assembly

The Soil Moisture Sensor is connected to the connection socket ⑥ on the back of the control unit (Fig. A).

### How it works

If the connected Soil Moisture Sensor indicates there is sufficient moisture then the watering program is either interrupted or not initiated.

**Note:** Manual watering (function **On/Off-man.**) is still possible.

## 11. GARDENA Rain Sensor (Fig. F)

Together with the GARDENA Rain Sensor (Art. No. 1189) watering is controlled considering natural precipitation.

### Assembly

The Rain Sensor, as an alternative to the Soil Moisture Sensor, can be connected to the connection socket ⑥ on the back of the control unit (Fig. A).

## How it works

If the connected Rain Sensor indicates an appropriate amount of rain, the watering program is interrupted or not initiated.

**Note:** Manual watering (function **On/Off-man.**) is still possible.

## 12. Faults

Fault	Possible Cause	Remedy
<b>Not able to open the Water Timer using the "On/Off-man." function</b>	Battery power too low.	Insert a new <b>alkaline battery</b> .
	Tap turned off.	Turn on tap.
<b>Watering not initiated</b>	Battery power too low.	Insert a new <b>alkaline battery</b> .
	Data input / changes made while the program was starting or immediately before.	Input data or make changes before or after the starting times you have chosen.
	Tap turned off.	Turn on tap.
	Soil Moisture Sensor or Rain Sensor indicate sufficient moisture.	If dry, check setting/ position of the Soil Moisture Sensor or Rain Sensor.
<b>Battery flat after working for a short time</b>	<b>Not</b> an alkaline battery.	Use an <b>alkaline battery</b> .

If you have any problems with your Water Timer Electronic, please contact our Customer Service or return the defective unit together with a short description of the problem directly to one of the GARDENA Service Centres listed on the back of this leaflet.

If covered under warranty, please include a copy of the receipt.



**Disposal:** (in accordance with RL2002/96/EC)

The product must not be added to normal household waste. It must be disposed of properly.

Please return flat batteries to a GARDENA dealer or dispose of them properly at your nearest recycling centre. Only dispose of batteries when they are **flat**.

We expressly point out that, in accordance with the product liability law, we are not liable for any damage caused by our units if it is due to improper repair or if parts exchanged are not original GARDENA parts or parts approved by us, and, if the repairs were not carried out by a GARDENA Service Centre or an authorised specialist. The same applies to spare parts and accessories.

## EU Certificate of Conformity

The undersigned

Husqvarna AB, 561 82 Huskvarna, Sweden

hereby certifies that, when leaving our factory, the unit indicated below is in accordance with the harmonised EU guidelines, EU standards of safety and product specific standards.

This certificate becomes void if the unit is modified without our approval.

**Description of the unit:**

Water Timer Electronic

**Year of CE marking:**

1999

**Type:** C 14 e

Ulm, 01.09.1999

**Art. No.:** 1820

**EU directives:**

Electromagnetic Compatibility

2004/108/EC

Directive 93/68/EC



Thomas Heint

Technical Dept. Manager

## D

### Garantie

GARDENA gewährt für dieses Produkt 2 Jahre Garantie (ab Kaufdatum). Diese Garantieleistung bezieht sich auf alle wesentlichen Mängel des Gerätes, die nachweislich auf Material- oder Fabrikationsfehler zurückzuführen sind. Sie erfolgt durch die Ersatzlieferung eines einwandfreien Gerätes oder durch die kostenlose Reparatur des eingesandten Gerätes nach unserer Wahl, wenn folgende Voraussetzungen gewährleistet sind:

- Das Gerät wurde sachgemäß und laut den Empfehlungen in der Gebrauchsanweisung behandelt.
- Es wurde weder vom Käufer noch von einem Dritten versucht, das Gerät zu reparieren.

Defekte an der Bewässerungsuhr durch falsch eingelegte oder ausgelaufene Batterien sind von der Garantie ausgeschlossen.

Diese Hersteller-Garantie berührt die gegenüber dem Händler/Verkäufer bestehenden Gewährleistungsansprüche nicht.

Im Garantiefall schicken Sie bitte das defekte Gerät zusammen mit einer Kopie des Kaufbelegs und einer Fehlerbeschreibung per Abhol-Service (nur in Deutschland) oder frankiert an die auf der Rückseite angegebene Serviceadresse.

Unfreie Paketeinsendungen werden im Postverteilstützpunkt ausgefiltert und erreichen uns nicht.

Nach erfolgter Reparatur senden wir das Gerät frei an Sie zurück.

## GB

### Guarantee

GARDENA guarantees this product for 2 years (from date of purchase). This guarantee covers all serious defects of the unit that can be proved to be material or manufacturing faults. Under warranty we will either replace the unit or repair it free of charge if the following conditions apply:

- The unit must have been handled properly and in keeping with the requirements of the operating instructions.
- Neither the purchaser or a non-authorized third party have attempted to repair the unit.

Defects in the Water Timer attributable to batteries which have been incorrectly installed or are leaking are excluded from the warranty provisions.

This manufacturer's guarantee does not affect the user's existing warranty claims against the dealer/seller.

If covered under warranty, please contact our Customer Service or return the defective unit together with a short description of the problem and a copy of the receipt directly to one of the GARDENA Service Centres listed on the back of this leaflet.

**Deutschland / Germany**  
GARDENA GmbH  
Central Service  
Hans-Lorenser-Straße 40  
D-89079 Ulm  
Produktfragen:  
(+49) 731 490-123  
Reparaturen:  
(+49) 731 490-290  
service@gardena.com

**Albania**  
COBALT Sh.p.k.  
Rr. Siri Kodra  
1000 Tirana

**Argentina**  
Husqvarna Argentina S.A.  
Av.del Libertador 5954 –  
Torre B  
(C1428ARP) Buenos Aires  
Phone:  
(+54) 11 5194 5000  
info.gardena@  
ar.husqvarna.com

**Armenia**  
Garden Land Ltd.  
611 Tigran Mets  
0005 Yerevan

**Australia**  
Husqvarna  
Australia Pty. Ltd.  
Locked Bag 5  
Central Coast BC  
NSW 2252  
Phone:  
(+61) (0) 2 4352 7400  
customer.service@  
husqvarna.com.au

**Austria / Österreich**  
Husqvarna Austria GmbH  
Consumer Products  
Industriezeile 36  
4010 Linz  
Tel.:  
(+43) 732 77 01 01-90  
consumer.service@  
husqvarna.at

**Azerbaijan**  
Firm Progress  
a. Aliyev Str. 26A  
1052 Baku

**Belgium**  
GARDENA  
Belgium NV/SA  
Sterrebeekstraat 163  
1930 Zaventem  
Phone: (+32) 2 7 20 92 12  
Mail: info@gardena.be

**Bosnia / Hercegovina**  
SILK TRADE d.o.o.  
Industrijska zona Bukva bb  
74260 Tešanj

**Brazil**  
Husqvarna do Brasil Ltda  
Av. Francisco Matarazzo,  
1400 – 19º andar  
São Paulo – SP  
CEP: 05001-903  
Tel: 0800-112252  
marketing.br.husqvarna@  
husqvarna.com.br

**Bulgaria**  
Хускварна България ЕООД  
Бул. „Андрей Ляпчев“ № 72  
1799 София  
Тел.: (+359) 02/9753076  
www.husqvarna.bg

**Canada / USA**  
GARDENA Canada Ltd.  
100 Summerlea Road  
Brampton, Ontario L6T 4X3  
Phone: (+1) 905 792 93 30  
info@gardenacanada.com

**Chile**  
Maquinarías Agroforestales  
Ltda. (Maga Ltda.)  
Santiago, Chile  
Avda. Chesterton  
# 8355 comuna Las Condes  
Phone: (+56) 2 202 4417  
Dalton@maga.cl  
Zipcode: 7560330

Temuco, Chile  
Avda. Valparaíso # 01466  
Phone: (+56) 45 222 126  
Zipcode: 4780441

**China**  
Husqvarna  
(China) Machinery  
Manufacturing Co., Ltd.  
No. 1355, Jia Xin Rd.,  
Ma Lu Zhen, Jia Ding Dist.,  
Shanghai  
201801  
Phone: (+86) 21 59159629  
Domestic Sales  
www.gardena.com.cn

**Colombia**  
Husqvarna Colombia S.A.  
Calle 18 No. 68 D-31  
zona Industrial de  
Montevideo  
Bogotá  
Cundinamarca  
Tel. 571 2922700 ext. 105  
jairo.salazar@  
husqvarna.com.co

**Costa Rica**  
Compania Exim  
Euroiberoamericana S.A.  
Los Colegios,  
Moravia, 200 metros al  
Sur del Colegio  
Saint Francis – San José  
Phone: (+506) 297 68 83  
exim\_euro@racsa.co.cr

**Croatia**  
SILK ADRIA d.o.o.  
Josipa Lončara 3  
10090 Zagreb  
Phone: (+385) 1 3794 580  
sil.k.adria@zg.t-com.hr

**Cyprus**  
Med Marketing  
17 Digeni Akritas Ave  
P.O. Box 27017  
1641 Nicosia

**Czech Republic**  
Husqvarna Česko s.r.o.  
Türkova 2319/5b  
149 00 Praha 4 – Chodov  
Bezplatná infolinka:  
800 100 425  
servis@cz.husqvarna.com

**Denmark**  
GARDENA / Husqvarna  
Consumer Outdoor Products  
Salgsafdelning Danmark  
Box 9003  
S-200 39 Malmö  
info@gardena.dk

**Dominican Republic**  
BOSQUESA, S.R.L  
Carretera Santiago Licey  
Km. 5 ½  
Esquina Copal II,  
Santiago, Dominican Republic  
Phone: (+809) 736-0333  
joserbosquesa@claro.net.do

**Ecuador**  
Husqvarna Ecuador S.A.  
Arujos E1-181 y 10 de Agosto  
Quito, Pichincha  
Tel. (+593) 22800739  
francisco.jacome@  
husqvarna.com.ec

**Estonia**  
Husqvarna Eesti OÜ  
Consumer Outdoor Products  
Kesk tee 10, Aaviku küla  
Rae vald  
Harju maakond  
75305 Estonia  
kontakt.etj@husqvarna.ee

**Finland**  
Oy Husqvarna Ab  
Consumer Outdoor Products  
Lautatarhankatu 8 B / PL 3  
00581 HELSINKI  
info@gardena.fi

**France**  
GARDENA France  
Immeuble Exposial  
9-11 allée des  
Pierres Mayettes  
ZAC des Barbanniers, B.P. 99  
-F- 92232 GENNEVILLIERS  
cedex  
Tél. (+33) 01 40 85 30 40  
service.consommateurs@  
gardena.fr

**Georgia**  
ALD Group  
Beliashevili 8  
1159 Tbilisi

**Great Britain**  
Husqvarna UK Ltd  
Preston Road  
Aycliffe Industrial Park  
Newton Aycliffe  
County Durham  
DL5 6UP  
info.gardena@  
husqvarna.co.uk

**Greece**  
HUSQVARNA  
ΕΛΛΑΣ Α.Ε.Β.Ε.  
Υπ/μθ Ηφαιστού 33Α  
Βλ. Πε. Κορωπίου  
194 00 Κορωπί Αττικής  
V.A.T. EL094094640  
Phone: (+30) 210 66 20 225  
info@husqvarna-  
consumer.gr

**Hungary**  
Husqvarna  
Magyarország Kft.  
Ezred u. 1-3  
1044 Budapest  
Telefon: (+36) 1 251-4161  
vevoszolgalat.husqvarna@  
husqvarna.hu

**Iceland**  
Ö. Johnson & Kaaber  
Tunguhalsi 1  
110 Reykjavik  
oij@oijk.is

**Ireland**  
Husqvarna UK Ltd  
Preston Road  
Aycliffe Industrial Park  
Newton Aycliffe  
County Durham  
DL5 6UP  
info.gardena@  
husqvarna.co.uk

**Italy**  
Husqvarna Italia S.p.A.  
Via Como 72  
23868 VALMADRERA (LC)  
Phone:  
(+39) 0341.203.111  
info@gardenaitalia.it

**Japan**  
KAKUICHI Co. Ltd.  
Sumitomo Realty &  
Development Kojimachi  
BLDG. 8F  
5-1 Nibannco  
Chiyoda-ku  
Tokyo 102-0084  
Phone: (+81) 33 264 4721  
m\_ishihara@kaku-ichi.co.jp

**Kazakhstan**

LAMED Ltd.  
155/1, Tazhibayevoi Str.  
050060 Almaty  
IP Schmidt  
Abayavenue 3B  
110 005 Kostanay

**Kyrgyzstan**

Alye Maki  
av. Moladaya Guardir J 3  
720014  
Bishkek

**Latvia**

Husqvarna Latvija  
Consumer Outdoor Products  
Bākūžu iela 6  
LV-1024 Rīga  
info@husqvarna.lv

**Lithuania**

UAB Husqvarna Lietuva  
Consumer Outdoor Products  
Ateities pl. 77C  
LT-52104 Kaunas  
centras@husqvarna.lt

**Luxembourg**

Magasins Jules Neuberg  
39, rue Jacques Stas  
Luxembourg-Gasperich 2549  
Case Postale No. 12  
Luxembourg 2010  
Phone: (+352) 40 14 01  
api@neuberg.lu

**Mexico**

AFOSA  
Av. Lopez Mateos Sur # 5019  
Col. La Calma 45070  
Zapopan, Jalisco  
Mexico  
Phone: (+52) 33 3818-3434  
icornejo@afosa.com.mx

**Moldova**

Convel S.R.L.  
290A Muncesti Str.  
2002 Chisinau

**Netherlands**

GARDENA Nederland B.V.  
Postbus 50176  
1305 AD ALMERE  
Phone: (+31) 36 521 00 00  
info@gardena.nl

**Neth. Antilles**

Jonka Enterprises N.V.  
Sta. Rosa Weg 196  
P.O. Box 8200  
Curaçao  
Phone: (+599) 9 767 66 55  
pgm@jonka.com

**New Zealand**

Husqvarna New Zealand Ltd.  
PO Box 76-437  
Manukau City 2241  
Phone: (+64) (0) 9 9202410  
support.nz@husqvarna.co.nz

**Norway**

GARDENA / Husqvarna  
Consumer Outdoor Products  
Salgskontor Norge  
Kleiverveien 6  
1540 Vestby  
info@gardena.no

**Peru**

Husqvarna Perú S.A.  
Jr. Ramón Cárcamo 710  
Lima 1  
Tel: (+51) 1 3320400 ext. 416  
juan.remuzgo@  
husqvarna.com

**Poland**

Husqvarna  
Poland Spółka z o.o.  
ul. Wysockiego 15 b  
03-371 Warszawa  
Phone: (+48) 22 330 96 00  
gardena@husqvarna.com.pl

**Portugal**

Husqvarna Portugal, SA  
Lagoa - Albarraque  
2635 - 595 Rio de Mouro  
Tel.: (+351) 21 922 85 30  
Fax : (+351) 21 922 85 36  
info@gardena.pt

**Romania**

Madex International Srl  
Soseaua Odaii 117-123,  
RO 013603  
București, S 1  
Phone: (+40) 21 352.76.03  
madex@ines.ro

**Russia**

ООО «Хускварна»  
141400, Московская обл.,  
г. Химки,  
улица Ленинградская,  
владение 39, стр.6  
Бизнес Центр  
„Химки Бизнес Парк”,  
помещение ОВ02\_04

**Serbia**

Domel d.o.o.  
Autoput za Novi Sad bb  
11273 Belgrade  
Phone: (+381) 11 848 88 12  
miroslav.jejina@domel.rs

**Singapore**

Hu-Ray PRIVATE LIMITED  
40 Jalan Pemimpin  
#02-08 Tat Ann Building  
Singapore 577185  
Phone: (+65) 6253 2277  
shiyang@hyray.com.sg

**Slovak Republic**

Husqvarna Česko s.r.o.  
Türkova 2319/5b  
149 00 Praha 4 – Chodov  
Bezplatná infolinka:  
800 154 044  
servis@sk.husqvarna.com

**Slovenia**

Husqvarna Austria GmbH  
Consumer Products  
Industriezeile 36  
4010 Linz  
Tel.: (+43) 732 77 01 01 -90  
consumer.service@  
husqvarna.at

**South Africa**

Husqvarna  
South Africa (Pty) Ltd  
Postnet Suite 250  
Private Bag X6,  
Cascades, 3202  
South Africa  
Phone: (+27) 33 846 9700  
info@gardena.co.za

**Spain**

Husqvarna España S.A.  
C/ Basauri, nº 6  
La Florida  
28023 Madrid  
Phone: (+34) 91 708 05 00  
atencioncliente@gardena.es

**Suriname**

Agrofix n.v.  
Verlengde Hogestraat #22  
Phone: (+597) 472426  
agrofix@sr.net  
Pobox : 2006  
Paramaribo  
Suriname – South America

**Sweden**

Husqvarna AB  
S-561 82 Huskvarna  
info@gardena.se

**Switzerland / Schweiz**

Husqvarna Schweiz AG  
Consumer Products  
Industriestrasse 10  
5506 Mägenwil  
Phone: (+41) (0) 848 800 464  
info@gardena.ch

**Turkey**

GARDENA Dost Diş Ticaret  
Müesseslik A.Ş.  
Sanayi Cad. Adil Sokak  
No: 1/B Kartal  
34873 Istanbul  
Phone: (+90) 216 38 93 939  
info@gardena-dost.com.tr

**Ukraine / Україна**

ТОВ «Хусварна Україна»  
вул. Васильківська, 34,  
офіс 204-г  
03022, Київ  
Тел. (+38) 044 498 39 02  
info@gardena.ua

**Uruguay**

FELI SA  
Entre Ríos 1083 CP 11800  
Montevideo – Uruguay  
Tel: (+598) 22 03 18 44  
info@felisa.com.uy

**Venezuela**

Corporación Casa y  
Jardín C.A.  
Av. Caroní,  
Edif. Trezmen, PB.  
Colinas de Bello Monte.  
1050 Caracas.  
Tlf: (+58) 212 992 33 22  
info@casayjardin.net.ve

1820-29.960.13/0213  
© GARDENA  
Manufacturing GmbH  
D-89070 Ulm  
http://www.gardena.com