

PF 10000 S Art. 7872

PF 15000 S Art. 7873

D Betriebsanleitung
UVC-Druckfilter-Set

GB Operating Instructions
UVC Pressure Filter Set

F Mode d'emploi
Kit filtre à pression UVC

NL Instructies voor gebruik
UVC-drukfilterset

S Bruksanvisning
UVC-tryckfilterset

I Istruzioni per l'uso
Set filtro a pressione UVC

E Manual de instrucciones
Juego de filtros a presión UVC

P Instruções de manejo
Conjunto de filtro de pressão UVC

DK Brugsanvisning
UVC-trykfiltersæt

GARDENA UVC Pressure Filter Set

PF 10000 S / PF 15000 S

Welcome to GARDENA aquamation...



Translation of the original instructions from German. Please read and carefully follow these operating instructions. Use these instructions to get to know the UVC Pressure Filter Set, how to use it correctly and the safety instructions.



For safety reasons, children and young people under 16 years of age and people who are not acquainted with these Operating Instructions must not use this UVC Pressure Filter Set.

→ Please keep these operating instructions in a safe place.

Contents :

1. Range of Uses for Your GARDENA UVC Pressure Filter Set	13
2. Safety Instructions	14
3. Function	16
4. Assembly	16
5. Initial Operation	17
6. Putting out of Operation	18
7. Maintenance	18
8. Trouble-Shooting	20
9. Accessories	21
10. Technical Data	21
11. Service / Warranty	22

1. Range of Uses for Your GARDENA UVC Pressure Filter Set

Purpose :

The UVC Pressure Filter Set is intended for private use in domestic gardens and allotments and should only be used out of doors for cleaning garden ponds with and without fish.

PF 10000 S :

for ponds with a volume of
up to 10000 l without fish /
5000 l with fish

PF 15000 S :

for ponds with a volume of
up to 15000 l without fish /
7500 l with fish

The GARDENA UVC Pressure Filter Set cleans the pond water biologically and mechanically and reduces the growth of algae. Algae is bound together and pathogens (particularly in fish ponds) are destroyed.

Please note :



The UVC Pressure Filter Set is not suitable for industrial use or in combination with chemicals, food, easily combustible and explosive substances.

Pond and Filter Tip

Excess growth of algae :

Garden ponds are not as deep as natural water features. The lack of depth means that a garden pond heats up and cools down much more quickly. These changes in temperature and environmental factors such as fertilisers, plant residues etc., are among the main causes of excess levels of nutrients and hence of growth of algae.

High density of fish stock:

In garden ponds the density of fish stock per cubic metre is usually higher than in natural ponds. As the fish usually also receive more food than in their natural environment, the amount of pollution due to excrement is very high.

Level of nutrients:

Excess growth of algae, as well as the high level of pollution due to fish excrement causes a lack of oxygen in your pond; its biological balance has been disturbed.

- Problem: the level of nutrients in your pond is too high.

The most effective solution to this problem is to decrease the level of nutrients available by means of a biological process and to remove excess nutrients while at the same time increasing the oxygen supply.

Installing a filter:

The growth of algae can be restricted by installing a filter. Floating substances (e.g. floating algae), which cause the water to be murky, are filtered out and the water is purified. This helps the pond to regain its biological balance. However, existing algae (e.g. thread algae) visible at the time of installation must be skimmed off (e.g. with the GARDENA combisystem Pond Net, Art. No. 7933).

Note:

Where possible, the filter should be kept in permanent operation and not be allowed to dry out.

When newly installed, the UVC-Pressure Filter Set only reaches its full biological cleaning effect after a few weeks. Extensive bacteria activity only takes place from a temperature of + 10 °C or above.

2. Safety Instructions

→ The safety instructions on the GARDENA UVC Pressure Filter Set must be followed!



WARNING !

→ Read the operating instructions before using the equipment for the first time!

→ Inspect the equipment before use to ensure that the pump and the UVC unit, especially the power cable and plug, are undamaged.



DANGER !

→ Ultraviolet radiation. Protect eyes from flash.

Do not use a damaged UVC unit or pump.

Do not use the light if the connection lead, glass tube or the housing of the UVC unit appear to be defective.

This radiation is harmful to eyes and skin.

→ Never operate the UV unit when the housing has been removed.

If the pump or UVC unit is damaged, please have them checked by our GARDENA Service Centre or an authorised electrician.

The UVC-unit and the pump must be operated via a residual-current device (FI-switch) with a nominal fault current ≤ 30 mA (DIN VDE 0100-702 and 0100-738).

→ Please ask your electrician for his advice.

Electrical safety:



DANGER ! Electric shock!

→ Disconnect the pump and the UVC device from the power supply before carrying out work.

Mains power cables should not have a smaller cross-section than a rubber sheathed cable of the designation H05 RNF.

Extension cables must meet the requirements of DIN VDE 0620.

The information on the model plate of the UVC unit must match the power supply.

The connection cable of the UVC-unit and the pump cannot be replaced.

If the cable is damaged the UV unit must be scrapped.

Do not use extension leads, connection leads or adaptors without a protective contact.

The pump must not be operated when there are people in the water.

Swimming pools and garden ponds should be designed according to international and national design regulations.

→ Please ask your electrician for advice.

Never carry the UVC-unit and the pump by the cable. Do not pull on the cable to unplug the plug from the socket.

Please protect the cable from heat, oil and sharp edges. Make sure that connection points remain dry.

Always unplug the equipment when dismantling the set, when it is not in use and before maintenance.

→ Always disconnect the UVC unit and the pump from the mains before undertaking any work.

For Austria

In Austria power cables should correspond to ÖVE-EM 42, T 2 (2000)/1979 § 22 according to § 2022.1. According to this standard units used in swimming pools and ponds should only be operated via an isolating transformer.

→ Please contact your electrician.

For Switzerland

In Switzerland mobile appliances which are used outdoors, must be connected via a residual-current device.

Note:

Operation of the pressure filter is only allowed with pumps to a max. operating pressure (see Technical Data). When using a pump with a higher operating pressure, the filter can leak, leading to the pond emptying.

Do not subject the pressure filter to direct sunlight and secure against falling in.

Never operate the UVC unit without water throughput.

Never let the pump run dry; running dry generates heat and will damage the pump.

Sand and other abrasive substances in the liquid cause increased wear and reduce the output of the pump.

The temperature of the liquid used must not be below 4 °C or above 35 °C.

Safety switch:

If the UVC light overheats, it is switched off by the built-in thermal protection switch.

The UVC light switches itself on again automatically when it has cooled down sufficiently.

Due to the integrated safety switch the lamp only comes on when the UVC unit is properly installed.

Positioning the filter:

→ Stand or bury the filter housing in a stable position at least 2 m away, next to the garden pond.

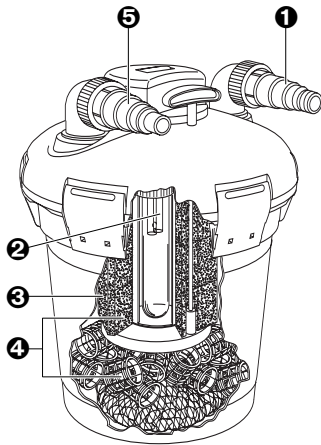
The filter output must be positioned higher than the surface of the pond.

Bacterial Activity:

The filter system is a biological system and therefore, when newly installed, needs a few weeks until it is fully effective.

If possible, the filter should be in permanent operation from spring to autumn and should not dry out.

3. Function



1 Water intake

Universal connection (3/4" – 1 1/2") for the pump supply hose in the pond.

2 UVC-radiation

The pond water, which has already undergone preliminary treatment, is subjected to short wave UVC-light (ultraviolet rays). During this process, the algal growth is reduced and germs which cause disease in fish ponds are killed.

3 Mechanical filtering

Dirt in the pond water is retained mechanically by the large outer surface of the filter sponges in the filter.

4 Biological treatment

The biological pond water treatment takes place in two different areas of the filter:

- **Filter sponges / bio-surface elements :**

This promotes the growth of micro-organisms which guarantee the conversion of ammonia into nitrate via nitrite (nitrification).

- **Lava stone :**

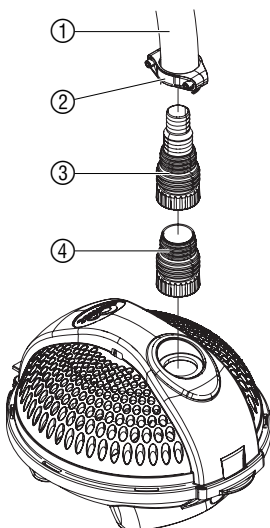
This supports the growth of anaerobic micro-organisms which promote denitrication (reduction of nitrate to nitrogen).

5 Water discharge with contamination display

Transparent universal connection (3/4" – 1 1/2") for returning the treated water with contamination display for simple recognition of the need for cleaning.

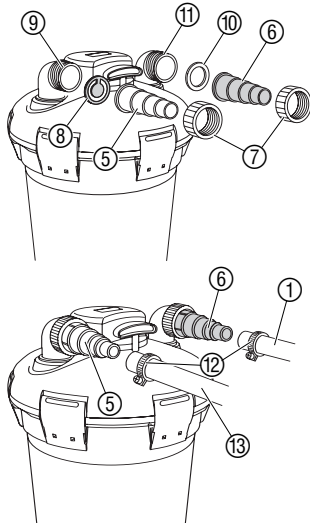
4. Assembly

Join the connecting hose to the pump:

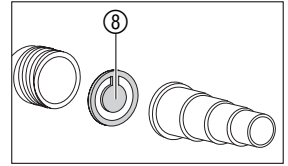


1. Cut the connecting hose ① between pump and filter to size accordingly.
2. Screw the adapter ④ (pre-mounted) and connecting nipple ③ on the pump.
3. Push the hose clamp ② onto the connecting hose ①.
4. Slide the connecting hose ① onto the connecting nipple ③.
5. Secure the connecting hose ① with the hose clamp ②.

Connecting the hoses to the pressure filter:



1. Push a threaded ring ⑦ over both universal connectors ⑤ and ⑥.
2. Screw the transparent universal connector ⑤ with dirt indicator ⑧ onto the water outlet ⑨ (see arrow markings on the cover). Pay attention to the installation position of the dirt indicator ⑧.
3. Screw the black universal connector ⑥ with flat seal ⑩ onto the water inlet ⑪.
4. Push one hose clamp ⑫ onto the connecting hose ① and one on the return hose ⑬.
5. Push the connecting hose ① on the black universal connector ⑥ and secure with the hose clamp ⑫.
6. Push the return hose ⑬ onto the transparent universal connector ⑤ and secure with the hose clamp ⑫.



Assembling the lamp in the UVC device:

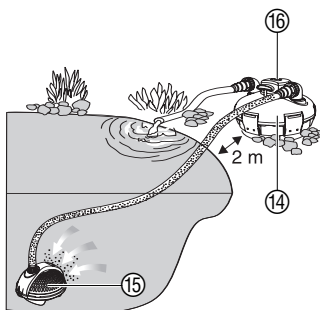
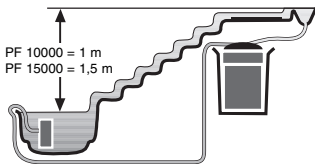
For safety reasons, the UVC lamp is supplied unassembled.

- Assembling the lamp in the UVC device: (see 8. **Trouble-Shooting** "Replacing lamp").

5. Initial Operation

Operating the UVC-Pressure Filter Set:

If the pressure filter is buried below the surface, the hose connectors must be located above the surface of the pond. When using a stream, the maximum height must not be exceeded.



1. Bury or position the pressure filter ⑭ securely at least 2 m away, next to the garden pond and above the surface of the pond (max. 1 m with PF 10000 or 1.5 m with PF 15000).
2. Place the pump ⑮ in a stable position within the garden pond so that the pump ⑮ is completely covered with water.
3. Plug the mains plug of the pump ⑮ into a 230 V AC socket.
Warning: The pump will start immediately!
4. Remove the cover ⑯ of the UVC device.
5. If the pressure filter ⑭ is filled with water, connect the power supply of the UVC device in a 230 V alternating current socket.
The UVC control lamp is lit blue (more visible at dusk / in darkness).
6. Replace the cover ⑯ of the UVC device.

Switch off the UVC Pressure Filter Set:

1. First, disconnect the UVC device from the power supply.
2. Then disconnect the pump from the power supply.

Return flow tip:

We recommend that you lay the return flow in such a way that the purified water is reintroduced indirectly e.g. via a short stream. This enriches the purified water with additional oxygen.

6. Putting out of Operation

Overwintering / Storage:



1. Before frost, remove the pump from the pond, remove the hose from the pump and fully empty the UVC pressure filter.
2. Clean the UVC pressure filter thoroughly (see 7. **Maintenance** "Removing fine dirt") and allow to dry.
3. Immerse the pump (**without mains plug**) completely in a container filled with water.
4. Position the UVC pressure filter and pump in a place protected from frost, and ensure that the mains plug of the UVC device and pump are protected from moisture.

Store out of reach of children.

Disposal:
(in accordance with
RL 2002/96/EC)



The product must not be added to normal household waste. It must be disposed of in line with local environmental regulations.

7. Maintenance



DANGER ! Electric shock!

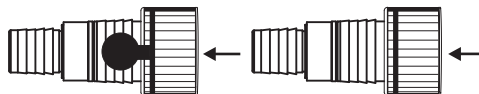
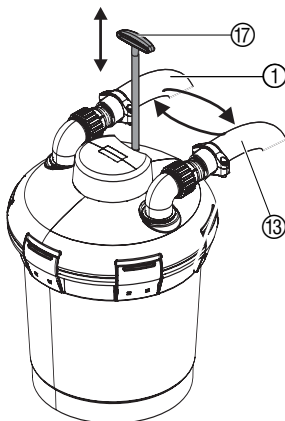
→ Before undertaking maintenance, unplug the UVC-unit and the pump from the mains!



WARNING ! Danger of the container bursting!

→ Do not connect the pressure filter to the domestic water supply!

Removal of severe soiling:



Dirt indicator visible

- Flow
- Filter function O.K.

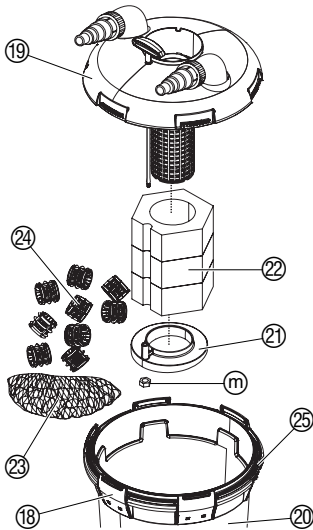
Dirt indicator not visible

- No / insufficient flow
- Filter soiled

If the dirt indicator is not fully visible during operation indicating a low flow, the pressure filter must be cleaned. The mechanical cleaning equipment simplifies the cleaning process.

1. Exchange the connecting hose ① and return hose ⑬ and guide the return hose ⑬ to the desired position.
2. Connect the pump to the power supply.
3. Pull the cleaning handle ⑰ several times during operation and hold briefly. The filter sponges are squeezed and the dirt washed out.
4. If the water from the return hose ⑬ is clear, switch off the pump.
5. Exchange the connecting hose ① and return hose ⑬ again and guide the return hose ⑬ back into the stream or pond.

Removing fine dirt:

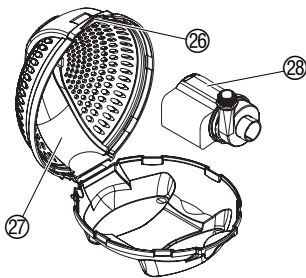


If the removal of the severe soiling is not sufficient, the fine soiling must be removed.

Do not use any chemical cleaning agents so that the bacteria are not killed.

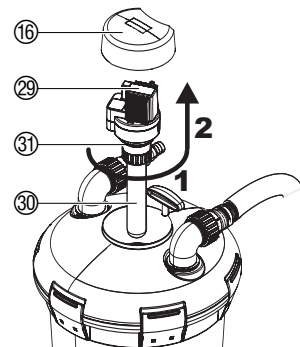
1. Unscrew the connecting hose and the return hose.
2. Open the sealing clamps (18) and remove the filter cover (19) with UVC device from the filter housing (20).
3. Unscrew the screw nut (m) of the filter sponge bracket (21) and remove the filter sponges (22) from the filter cover (19).
4. Clean the filter sponges (22) under running water while squeezing at the same time.
5. Rinse the lava stone (23) and the bio-surface elements (24) gently in clean water (do not clean under running water).
6. Empty filter housing (20) completely and clean under running water.
7. Assemble the pressure filter again in reverse order. Ensure that the O-Ring (25) is sitting correctly.
8. Start operation of the pressure filter again (see **5. Initial Operation** "Operating the UVC Pressure Filter Set").

Cleaning the pump housing of the pump:



1. Take pump out of the water.
2. Unscrew the connecting hose.
3. Unlock snap fastening (29) and open up the pump housing (27).
4. Take pump (28) out of the pump housing (27).
5. Clean pump housing (27) with a jet of water.
6. Re-assemble pump in reverse order.

Cleaning the UVC unit:



1. Remove the cover (16) of the UVC device (29).
2. Turn the UVC device (29) anticlockwise **1** and pull out carefully **2** (bayonet coupling).
3. Clean the glass tube (30) (using liquid glass cleaner, for example).
4. Fit the UVC device again in reverse order.

During assembly, ensure that the O-Ring (31) of the UVC device is installed correctly.

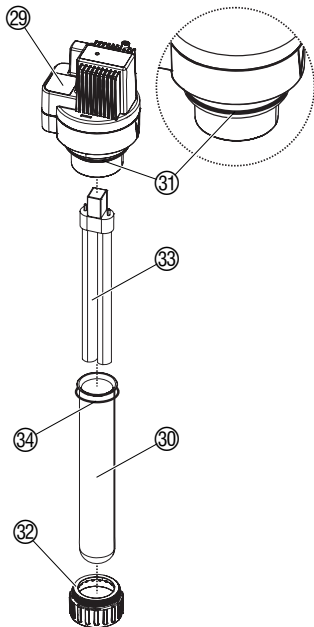
8. Trouble-Shooting



DANGER! Electric shock!

→ Before undertaking Trouble-Shooting, unplug the UVC-unit and the pump from the mains!

Changing the bulb:



The UVC bulb should be replaced after approximately 8,000 operating hours since the UVC performance decreases dramatically after this time.

Only bulbs of the type TC-S (UV-C) may be used. (E. g. Radium, Philips or Sylvania). The correct UVC-bulb can be ordered from GARDENA Service as a spare part.

1. Remove the cover of the UVC device 29 and remove the UVC device 29 (see 7. Maintenance "Cleaning the UVC Unit").
2. Carefully unscrew the ring 32.
3. Pull off the glass tube 30 (It may be relatively difficult to remove the glass tube due to mineral deposits.)
4. Take out faulty bulb 33 and insert new bulb.
5. Reassemble the UVC unit in reverse order.

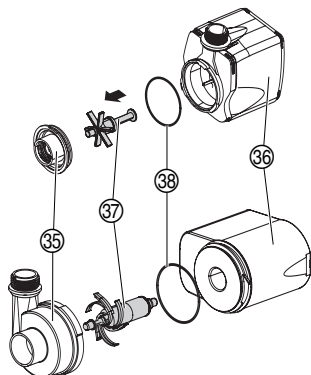


DANGER! Short-circuit!

→ The ring 32 must be screwed on firmly again to guarantee that the glass tube 30 is sealed!

During assembly, ensure that the O-Ring 34 on the glass tube 30 is positioned correctly and the O-Ring 31 is inserted correctly in the UVC device 29. The UVC unit must be fully reassembled to test the functioning of the bulb.

Cleaning the pump:



1. Remove pump from pump housing (see 7. Maintenance "Cleaning the pump housing of the pump").
2. Turn pump cover 35 anti-clockwise and draw vertically out of the motor housing 36 (bayonet fitting).
3. Draw rotor unit 37 out of motor housing 36 and clean.
4. Push cleaned rotor unit 37 back into the motor housing 36.
5. Press pump cover 35 vertically on to the motor housing 36 and close by turning clockwise.
During this, ensure that the O-ring 38 is installed correctly.
6. Assemble pump in the pump housing.

Fault	Possible Cause	Remedy
The water is not clear	Too many fish and creatures in the pond.	→ Add up the estimated length of the fish. There should only be “80 cm length of fish fish” per m ³ water in the pond.
	The glass tube of the UVC unit is dirty.	→ Clean UVC unit (see 7. Maintenance).
The flow is reduced	The filter sponges are dirty.	→ Clean filter (see 7. Maintenance).
	Pump filter housing is dirty.	→ Clean pump filter housing.
	Rotor unit is blocked.	→ Clean pump.
he UVC pilot light is not on	Bulb defective.	→ Change bulb.
	Electrical connections defective.	→ Check electrical connections.



ATTENTION !

Repairs on electrical parts should only be carried out by GARDENA Service Centres or an authorised repairer.

If any other faults arise, please contact GARDENA Service.

9. Accessories

GARDENA Ribbed pond hoses	1"-Hose (for use as inflow or outflow hose)	Art. 7831
----------------------------------	---	------------------

10. Technical Data

	PF 10000 S (Art. 7872)	PF 15000 S (Art. 7873)
Rated power, UVC unit	7 W	11 W
Power cable, UVC unit	3 m H05 RN-F 3G0,75	3 m H05 RN-F 3G0,75
Bulb, UVC unit	type 7 W TC-S (UV-C) (e.g. Radium: Puritec NSE 7-270, Philips: TUV PL-S 7 W or Sylvania: G7 LYNX-S Germicidal)	type 11W TC-S (UV-C) (e.g. Radium: Puritec NSE 11-270, Philips: TUV PL-S 11 W or Sylvania: G11 LYNX-S Germicidal)
Rated power, pump	25 W	40 W
Power cable, pump	10 m H05 RN-F 3G0,75	10 m H05 RN-F 3G0,75
Max. delivery capacity, pump	1,500 l/h	2,500 l/h
Max. delivery head, pump	1.9 m	2.2 m
Max. operating pressure	0.19 bar	0.22
Mains voltage / mains frequency	230 V / 50 Hz	230 V / 50 Hz
Max. immersion depth	2 m	2 m
Media temperature	4 °C – 35 °C	4 °C – 35 °C

11. Service / Warranty

GARDENA provides a 2 year warranty on this product and a 3 year warranty on the pump (from date of purchase). This guarantee covers all serious defects of the unit that can be proved to be material or manufacturing faults. Under warranty we will either replace the unit or repair it free of charge if the following conditions apply:

- The unit must have been handled properly and in keeping with the requirements of the operating instructions.
- Neither the purchaser or a non-authorised third party have attempted to repair the unit.

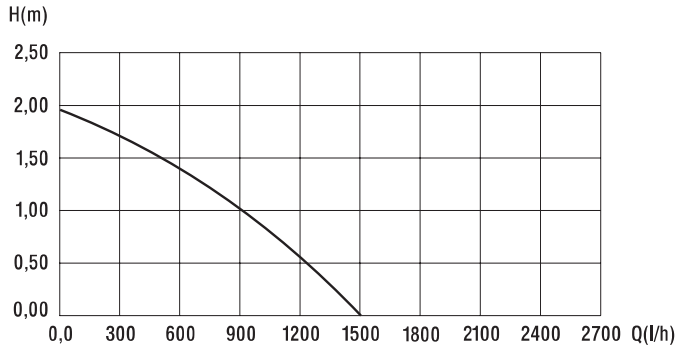
The wearing parts UVC bulb, filter materials and rotor unit are excluded from the warranty.

This manufacturer's guarantee does not affect the user's existing warranty claims against the dealer/seller.

If you have any problems with your UVC-pond filter, please contact our Customer Service or return the defective unit together with a short description of the problem directly to one of the GARDENA Service Centres listed on the back of this leaflet.

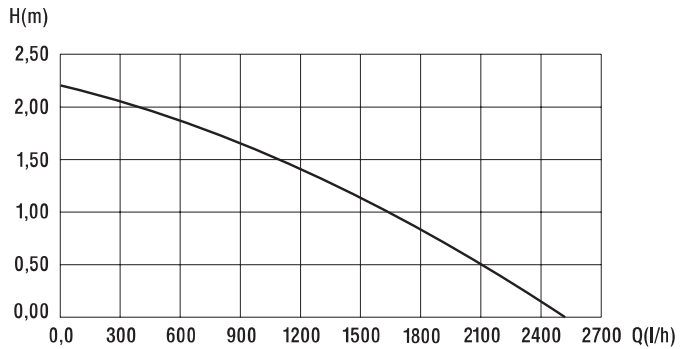
PF 10000 S Art. 7872

Pumpen-Kennlinie
Performance characteristics
Courbes de performance
Prestatiegrafiek
Kapacitetskurva
Curva di rendimento
Curva característica
de la bomba
Características
de performance
Ydelses karakteristika



PF 15000 S Art. 7873

Pumpen-Kennlinie
Performance characteristics
Courbes de performance
Prestatiegrafiek
Kapacitetskurva
Curva di rendimento
Curva característica
de la bomba
Características
de performance
Ydelses karakteristika



<p>D <i>Produkthftung</i></p>	<p>Wir weisen ausdrücklich darauf hin, dass wir nach dem Produkthaftungsgesetz nicht für durch unsere Geräte hervorgerufene Schäden einzustehen haben, sofern diese durch unsachgemäße Reparatur verursacht oder bei einem Teileaustausch nicht unsere Original GARDENA Teile oder von uns freigegebene Teile verwendet werden und die Reparatur nicht vom GARDENA Service oder dem autorisierten Fachmann durchgeführt wird. Entsprechendes gilt für Ergänzungssteile und Zubehör.</p>
<p>GB <i>Product Liability</i></p>	<p>We expressly point out that, in accordance with the product liability law, we are not liable for any damage caused by our units if it is due to improper repair or if parts exchanged are not original GARDENA parts or parts approved by us, and, if the repairs were not carried out by a GARDENA Service Centre or an authorised specialist. The same applies to spare parts and accessories.</p>
<p>F <i>Responsabilité</i></p>	<p>Nous vous signalons expressément que GARDENA n'est pas responsable des dommages causés par ses appareils, dans la mesure où ces dommages seraient causés suite à une réparation non conforme, dans la mesure où, lors d'un échange de pièces, les pièces d'origine GARDENA n'auraient pas été utilisées, ou si la réparation n'a pas été effectuée par le Service Après-Vente GARDENA ou l'un des Centres SAV agréés GARDENA. Ceci est également valable pour tout ajout de pièces et d'accessoires autres que ceux préconisés par GARDENA.</p>
<p>NL <i>Productaansprakelijkheid</i></p>	<p>Wij wijzen er nadrukkelijk op, dat wij op grond van de wet aansprakelijkheid voor producten niet aansprakelijk zijn voor schade ontstaan door onze apparaten, indien deze door onvakkundige reparatie veroorzaakt zijn, of er bij het uitwisselen van onderdelen geen gebruik gemaakt werd van onze originele GARDENA onderdelen of door ons vrijgegeven onderdelen en de reparatie niet door de GARDENA technische dienst of de bevoegde vakman uitgevoerd werd. Ditzelfde geldt voor extra-onderdelen en accessoires.</p>
<p>S <i>Produktansvar</i></p>	<p>Tillverkaren är inte ansvarig för skada som orsakats av produkten om skadan beror på att produkten har reparerats felaktigt eller om, vid reparation eller utbyte, andra än Original GARDENA reservdelar har använts. Samma sak gäller för kompletteringsdelar och tillbehör.</p>
<p>I <i>Responsabilità del prodotto</i></p>	<p>Si rende espressamente noto che, conformemente alla legislazione sulla responsabilità del prodotto, non si risponde di danni causati da nostri articoli se originati da riparazioni eseguite non correttamente o da sostituzioni di parti effettuate con materiale non originale GARDENA o comunque da noi non approvato e, in ogni caso, qualora l'intervento non venga eseguito da un centro assistenza GARDENA o da personale specializzato autorizzato. Lo stesso vale per le parti complementari e gli accessori.</p>
<p>E <i>Responsabilidad de productos</i></p>	<p>Advertimos que conforme a la ley de responsabilidad de productos no nos responsabilizamos de daños causados por nuestros aparatos, siempre y cuando dichos daños hayan sido originados por arreglos o reparaciones indebidas, por recambios con piezas que no sean piezas originales GARDENA o bien piezas autorizadas por nosotros, así como en aquellos casos en que la reparación no haya sido efectuada por un Servicio Técnico GARDENA o por un técnico autorizado. Lo mismo es aplicable para las piezas complementarias y accesorios.</p>
<p>P <i>Responsabilidade sobre o produto</i></p>	<p>Queremos salientar que segundo a lei da responsabilidade do fabricante, nós não nos responsabilizaremos por danos causados pelo nosso equipamento, quando estes ocorram em decorrência de reparações inadequadas ou da substituição de peças por peças não originais da GARDENA, ou peças não autorizadas. A responsabilidade tornar-se-à nula também depois de reparações realizadas por oficinas não autorizadas pela GARDENA. Esta restrição valerá também para peças adicionais e acessórios.</p>
<p>DK <i>Produktansvar</i></p>	<p>Vi gør udtrykkeligt opmærksom på at i henhold til produktansvarsloven er vi ikke ansvarlige for skader forårsaget af vores udstyr, hvis det skyldes uautoriserede reparationer eller hvis dele er skiftet ud og der ikke er anvendt originale GARDENA dele eller dele godkendt af os, eller hvis reparationerne ikke er udført af GARDENA-service eller en autoriseret fagmand. Det samme gælder for ekstra udstyr og tilbehør.</p>

<p>D EU-Konformitätserklärung Maschinenverordnung (9. GSGVO) / EMVG / Niedersp. RL Der Unterzeichnete GARDENA Manufacturing GmbH, Hans-Lorenser-Str. 40, D-89079 Ulm, bestätigt, dass die nachfolgend bezeichneten Geräte in der von uns in Verkehr gebrachten Ausführung die Anforderungen der harmonisierten EU-Richtlinien, EU-Sicherheitsstandards und produktspezifischen Standards erfüllen. Bei einer nicht mit uns abgestimmten Änderung der Geräte verliert diese Erklärung ihre Gültigkeit.</p>	Bezeichnung des Gerätes: UVC-Druckfilter-Set Description of the unit: UVC Pressure Filter Set Désignation du matériel : Kit filtre à pression UVC Omschrijving van het apparaat: UVC-drukfilterset Produktbeskrivning: UVC-tryckfilterset Descrizione del prodotto: Set filtro a pressione UVC Descripción de la mercancía: Juego de filtros a presión UVC
<p>GB EU Certificate of Conformity The undersigned GARDENA Manufacturing GmbH, Hans-Lorenser-Str. 40, D-89079 Ulm, hereby certifies that, when leaving our factory, the units indicated below are in accordance with the harmonised EU guidelines, EU standards of safety and product specific standards. This certificate becomes void if the units are modified without our approval.</p>	Descrição do aparelho: Conjunto de filtro de pressão UVC Beskrivelse af enhederne: UVC-trykfiltersæt
<p>F Certificat de conformité aux directives européennes Le constructeur, soussigné : GARDENA Manufacturing GmbH, Hans-Lorenser-Str. 40, D-89079 Ulm, déclare qu'à la sortie de ses usines le matériel neuf désigné ci-dessous était conforme aux prescriptions des directives européennes énoncées ci-après et conforme aux règles de sécurité et autres règles qui lui sont applicables dans le cadre de l'Union européenne. Toute modification portée sur ce produit sans l'accord express de GARDENA supprime la validité de ce certificat.</p>	Typ: Art.-Nr.: Type: Art. No.: Type : Référence : Typ: PF 10000 S Art. nr.: 7872 Typ: Art.nr. : Modello: PF 15000 S Art. : 7873 Tipo: Art. Nº: Tipo: Art. Nº: Type: Varenr. :
<p>NL EU-overeenstemmingsverklaring Ondergetekende GARDENA Manufacturing, Hans-Lorenser-Str. 40, D-89079 Ulm, bevestigt, dat de volgende genoemde apparaten in de door ons in de handel gebrachte uitvoering voldoen aan de eis van, en in overeenstemming zijn met de EU-richtlijnen, de EU-veiligheidsstandaard en de voor het product specifieke standaard. Bij een niet met ons afgestemde verandering aan de apparaten verliest deze verklaring haar geldigheid.</p>	EU-Richtlijnen: 98/37/EC : 1998 EU directives: 2006/42/EC : 2006 Directives européennes : 2004/108/EC EU-richtlijnen: 2006/95/EC EU direktiv: 93/68/EC Directive UE: Normativa UE: Directrices da UE: EU Retningslinier:
<p>S EU Tillverkarintyg Undertecknad firma GARDENA Manufacturing GmbH, Hans-Lorenser-Str. 40, D-89079 Ulm, intygar härmed att nedan nämnda produkter överensstämmer med EU:s direktiv, EU:s säkerhetsstandard och produktspecifikation. Detta intyg upphör att gälla om produkten ändras utan vårt tillstånd.</p>	Nationale Normen: EN 60335-1:2001 EN 60335-2-41:2004 EN 60598-1:2000+A11:2000 EN 60598-2-1:1989 EN 55015:2000 EN 61000-3-2:2000 EN 61000-3-3:1995 +Corrigendum : 1997+A1:2001
<p>I Dichiarazione di conformità alle norme UE La sottoscritta GARDENA Manufacturing GmbH, Hans-Lorenser-Str. 40, D-89079 Ulm, certifica che il prodotto qui di seguito indicato, nei modelli da noi commercializzati, è conforme alle direttive armonizzate UE nonché agli standard di sicurezza e agli standard specifici di prodotto. Qualunque modifica apportata al prodotto senza nostra specifica autorizzazione invalida la presente dichiarazione.</p>	Anbringningsjahr der CE-Kennzeichnung: Year of CE marking: Date d'apposition du marquage CE : Installatiejaar van de CE-aanduiding: CE-Märkningsår: 2006 Anno di rilascio della certificazione CE : Colocación del distintivo CE : Ano de marcação pela CE : CE-Mærkningsår:
<p>E Declaración de conformidad de la UE El que suscribe GARDENA Manufacturing, Hans-Lorenser-Str. 40, D-89079 Ulm, declara que la presente mercancía, objeto de la presente declaración, cumple con todas las normas de la UE, en lo que a normas técnicas, de homologación y de seguridad se refiere. En caso de realizar cualquier modificación en la presente mercancía sin nuestra previa autorización, esta declaración pierde su validez.</p>	Ulm, den 01.06.2006 Der Bevollmächtigte Ulm, 01.06.2006 Authorised representative Fait à Ulm, le 01.06.2006 Représentant légal Ulm, 01-06-2006 Gemachtigde Ulm, 2006.01.06. Behörig Firmatecknare Ulm, 01.06.2006 Rappresentante autorizzato Ulm, 01.06.2006 Representante autorizado Ulm, 01.06.2006 Representante autorizado Ulm, 01.06.2006 Teknisk direktør
<p>P Certificado de conformidade da UE Os abaixo mencionados GARDENA Manufacturing GmbH, Hans-Lorenser-Str. 40, D-89079 Ulm, por este meio certificam que ao sair da fábrica o aparelho abaixo mencionado está de acordo com as diretrizes harmonizadas da UE, padrões de segurança e de produtos específicos. Este certificado ficará nulo se a unidade for modificada sem a nossa aprovação.</p>	 Peter Lameli Vice President
<p>DK EU Overensstemmelse certificat Undertegnede GARDENA Manufacturing GmbH, Hans-Lorenser-Str. 40, D-89079 Ulm bekræfter hermed, at enheder listet herunder, ved afsendelse fra fabrikken, er i overensstemmelse med harmoniserede EU retningslinier, EU sikkerhedsstandarder og produktspecifikationsstandarder. Dette certifikat træder ud af kraft hvis enhederne er ændret uden vor godkendelse.</p>	

Deutschland / Germany

GARDENA
Manufacturing GmbH
Central Service
Hans-Lorenser-Straße 40
D-89079 Ulm
Produktfragen:
(+49) 731 490-123
Reparaturen:
(+49) 731 490-290
service@gardena.com

Argentina

Husqvarna Argentina S.A.
Vera 745
(C1414AOO) Buenos Aires
Phone: (+54) 11 4858-5000
diego.poggi@ar.husqvarna.com

Australia

Husqvarna Australia Pty. Ltd.
Locked Bag 18
Gosford NSW 2250
Phone: (+61) (0) 2 4372 1500
customer.service@
husqvarna.com.au

Austria / Österreich

Husqvarna Austria GmbH
Consumer Products
Industriezeile 36
4010 Linz
Tel.: (+43) 732 77 01 01 - 90
consumer.service@
husqvarna.at

Belgium

GARDENA Belgium NV/SA
Sterrebeekstraat 163
1930 Zaventem
Phone: (+32) 2 720 92 12
Mail: info@gardena.be

Brazil

Palash Comércio e
Importação Ltda.
Rua São João do Araguaia, 338
- Jardim Califórnia -
Barueri - SP - Brasil -
CEP 06409-060
Phone: (+55) 11 4198-9777
eduardo@palash.com.br

Bulgaria

Хускварна България ЕООД
1799 София
Бул. „Андрей Ляпчев“ № 72
Тел.: (+359) 2 80 99 424
www.husqvarna.bg

Canada

GARDENA Canada Ltd.
100 Summerlea Road
Brampton, Ontario L6T 4X3
Phone: (+1) 905 792 93 30
info@gardenacanada.com

Chile

Antonio Martinic y Cia Ltda.
Cassillas 272
Centro de Cassillas
Santiago de Chile
Phone: (+56) 2 20 10 708
garfar_cl@yahoo.com

Costa Rica

Compania Exim
Euroberoamericana S.A.
Los Colegios, Moravia,
200 metros al Sur del Colegio
Saint Francis - San José
Phone: (+506) 297 68 83
exim_euro@racsa.co.cr

Croatia

KLIS d.o.o.
Stanciceva 79
10419 Vukovina
Phone: (+385) 1 622 777 0
gardena@klis-trgovina.hr

Cyprus

FARMOKIPIKI LTD
P.O. Box 7098
74, Digeni Akritas Ave.
1641 Nicosia
Phone: (+357) 22 75 47 62
condam@spidernet.com.cy

Czech Republic

GARDENA spol. s r.o.
Tuřanka 115
627 00 Brno
Phone: (+420) 548 217 777
gardena@gardenabrn.cz

Denmark

GARDENA
Husqvarna Consumer Outdoor
Products
Salgsafdelning Danmark
Box 9003
S-200 39 Malmö
info@gardena.dk

Estonia

Husqvarna Eesti OÜ
Consumer Outdoor Products
Kesk tee 10, Aaviku küla
Rae vald, Harju maakond
75305
kontakt.etj@husqvarna.ee

Finland

Oy Husqvarna Ab
Consumer Outdoor Products
Lautatarhankatu 8 B / PL 3
00581 HELSINKI
info@gardena.fi

France

GARDENA France
Immeuble Exposial
9 - 11 allée des Pierres Mayettes
ZAC des Barbanniers, B.P. 99
- F - 92232 GENNEVILLIERS
cedex
Tél. (+33) 01 40 85 30 40
service.consommateurs@
gardena.fr

Great Britain

Husqvarna UK Ltd
Preston Road
Aycliffe Industrial Park
Newton Aycliffe
County Durham
DL5 6UP
info.gardena@
husqvarna.co.uk

Greece

HUSQVARNA GREECE S.A.
Branch of Koropi
Ifestou 33A
Industrial Area Koropi
194 00 Athens - Greece
V.A.T. EL094094640
Phone: (+30) 210 66 20 225
info@husqvarna-consumer.gr

Hungary

Husqvarna
Magyarország Kft.
Ezred u. 1 - 3
1044 Budapest
Phone: (+36) 80 20 40 33
gardena@gardena.hu

Iceland

Ó. Johnson & Kaaber
Tunguhalsi 1
110 Reykjavik
ooj@ojk.is

Ireland

Michael McLoughlin & Sons
Hardware Limited
Long Mile Road
Dublin 12

Italy

GARDENA Italia S.p.A.
Via Donizetti 22
20020 Lainate (Mi)
Phone: (+39) 02.93.94.79.1
info@gardenaitalia.it

Japan

KAKUICHI Co. Ltd.
Sumitomo Realty &
Development Kojimachi
BLDG., 8F, 5-1 Nibanbanyo,
Chiyoda-ku, Tokyo 102-0084
Phone: (+81) 33 264 4721
m_ishihara@kaku-ichi.co.jp

Latvia

SIA „Husqvarna Latvija“
Consumer Outdoor Products
Bakūžu iela 6, Rīga, LV-1024
info@husqvarna.lv

Lithuania

UAB Husqvarna Lietuva
Consumer Outdoor Products
Atleities pl. 77C
LT-52104 Kaunas
centras@husqvarna.lt

Luxembourg

Magasins Jules Neuberg
39, rue Jacques Stas
Luxembourg-Gasperich 2549
Case Postale No. 12
Luxembourg 2010
Phone: (+352) 40 14 01
api@neuberg.lu

Netherlands

GARDENA Nederland B.V.
Postbus 50176
1305 AD ALMERE
Phone: (+31) 36 521 00 00
info@gardena.nl

Neth. Antilles

Jonka Enterprises N.V.
Sta. Rosa Weg 196
P.O. Box 8200, Curaçao
Phone: (+599) 9 767 66 55
pgm@jonka.com

New Zealand

Husqvarna New Zealand Ltd.
PO Box 76437
Manukau City 2241
Phone: (+64) (09) 92024 10

Norway

GARDENA
Husqvarna Consumer Outdoor
Products
Salgskontor Norge
Kleiverveien 6
1540 Vestby
info@gardena.no

Poland

Husqvarna Poland Spółka z o.o.
Oddział w Szymanowie
Szymanów 9 d
05-532 Baniocha
Phone: (+48) 22 727 56 90
gardena@gardena.pl

Portugal

GARDENA Portugal Lda.
Sintra Business Park
Edifício 1, Fracção 0-G
2710-089 Sintra
Phone: (+351) 21 922 85 30
info@gardena.pt

Romania

MADEX INTERNATIONAL SRL
Soseaua Odaii 117-123,
Sector 1,
București, RO 013603
Phone: (+40) 21 352 76 03
madex@ines.ro

Russia

ООО ГАРДЕНА PVC
123007, г. Москва
Хорошевское шоссе, д. 32А
Тел.: (+7) 495 380 31 92
info@gardena-rus.ru

Singapore

Hy - Ray PRIVATE LIMITED
40 Jalan Pemimpin
#02-08 Tat Ann Building
Singapore 577185
Phone: (+65) 6253 2277
shiyang@hyray.com.sg

Slovak Republic

GARDENA spol. s r.o.
Tuřanka 115
627 00 Brno
Phone: (+420) 548 217 777
gardena@gardenabrn.cz

Slovenia

GARDENA d.o.o.
Brodšče 15
1236 Trzin
Phone: (+386) 1 580 93 32
servis@gardena.si

South Africa

GARDENA
South Africa (Pty.) Ltd.
P.O. Box 11534
Vorna Valley 1686
Phone: (+27) 11 315 02 23
sales@gardena.co.za

Spain

GARDENA IBÉRICA S.L.U.
C/ Basauri, nº 6
La Florida
28023 Madrid
Phone: (+34) 91 708 05 00
atencioncliente@gardena.es

Sweden

GARDENA
Husqvarna Consumer Outdoor
Products
Försäljningskontor Sverige
Box 9003
200 39 Malmö
info@gardena.se

Switzerland / Schweiz

Husqvarna Schweiz AG
Consumer Products
Industriestrasse 10
5506 Mägenwil
Phone: (+41) (0) 848 800 464
info@gardena.ch

Turkey

GARDENA / Dost Diş Ticaret
Müessesilik A.Ş. Sanayi
Çad. Adil Sokak No. 1
Kartal - Istanbul
Phone: (+90) 216 38 93 939
info@gardena-dost.com.tr

Ukraine / Україна

ТОВ «ГАРДЕНА УКРАЇНА»
Васильківська, 34, 204-Г
03022, Київ
Тел. (+38 044) 498 39 02
info@gardena.ua

7872-20.960.04 / 0908
© GARDENA
Manufacturing GmbH
D-89070 Ulm
http://www.gardena.com