

F 4000 S Art. 7842
F 7000 S Art. 7844

- D Betriebsanleitung**
UVC-Teichfilter-Set
-
- GB Operating Instructions**
UV pond filter set
-
- F Mode d'emploi**
Kit de filtration UVC pour bassin
-
- NL Gebruiksaanwijzing**
UVC-vijverfilter-set
-
- S Driftsanvisningarna**
UV dammfilterset
-
- DK Driftsvejledning**
UV bassinfiltersæt
-
- I Istruzioni per l'uso**
Set filtro UVC per laghetti
-
- E Instrucciones de empleo**
Kit de filtrado para estanques UVC
-
- P Manual de instruções**
Conjunto filtro para lago UVC

D

GB

F

NL

S

DK

I

E

P

GARDENA UV pond filter set

F 4000 S / F 7000 S

GB



Translation of the original German operating instructions.

Please read the operating instructions carefully and observe the notes given. Use the operating instructions to familiarise yourself with the correct usage of the UV pond filter set, and the notes on safety.



For safety reasons, children under 16 as well as persons not familiar with these operating instructions should not use this UV pond filter set.

→ Keep these operating instructions in a safe place.

Contents:

1. Range of use for your GARDENA UV pond filter set	11
2. Safety Instructions	11
3. Function	13
4. Assembly	13
5. Initial Operation	14
6. Putting out of Operation	14
7. Maintenance	15
8. Trouble-Shooting	15
9. Technical Data	17
10. Service / Warranty	18

1. Range of use for your GARDENA UV pond filter set

Purpose:

The GARDENA UV pond filter set is intended for private use in domestic gardens and allotments and should only be used out of doors for cleaning garden ponds with and without fish.

F 4000 S:

for ponds with a volume of
up to 4000 l without fish /
2000 l with fish /
1000 l with koi

F 7000 S:

for ponds with a volume of
up to 7000 l without fish /
3500 l with fish /
1750 l with koi

The GARDENA UV pond filter set cleans the pond water biologically and mechanically and reduces the growth of algae. Algae is bound together and pathogens (particularly in fish ponds) are destroyed.

Please note:



The GARDENA UV pond filter set is not suitable for industrial use or in combination with chemicals, food, easily combustible and explosive substances.

2. Safety Instructions

→ Comply with the safety instructions on the UV unit.



WARNING!

→ Read the operating instructions before using the equipment for the first time!



DANGER!

→ Ultraviolet radiation.
Protect eyes from flash.

The GARDENA UV pond filter set contains a UV-C emitter. By misuse or damage of the appliance dangerous levels of UV-C can be emitted.

UV-C emission even in small dosages can damage eyes and skin.

This radiation is harmful to eyes and skin.

→ Never operate the UV unit when the housing has been removed.

Electrical safety:

→ Inspect the equipment before use to ensure that the pump and the UV unit, especially the power cable and plug, are undamaged.

Do not use a damaged UV unit or pump.

If the power cable, glass tube, or the housing of the UV device appear to be defective, the UV device must not be operated.

If the pump or UV unit is damaged, please have them checked by our GARDENA Service Centre or an authorised electrician.

The UV-unit and the pump must be operated via a residual-current device (FI-switch) with a nominal fault current ≤ 30 mA (DIN VDE 0100-702 and 0100-738).

→ Please ask your electrician for his advice.

Mains power cables should not have a smaller cross-section than a rubber sheathed cable of the designation H05 RN-F. Extension cables must meet the requirements of DIN VDE 0620.

The information on the model plate of the UV unit must match the power supply.

The connection cable of the UV-unit and the pump cannot be replaced. If the cable is damaged the UV unit must be scrapped.

Do not use extension leads, connection leads or adapters without a protective contact.

The fountain pump must not be operated when there are people in the water.

Swimming pools and garden ponds should be designed according to international and national design regulations.

→ Please ask your electrician for his advice.

Never carry the UV-unit and the pump by the cable. Do not pull on the cable to unplug the plug from the socket.

Please protect the cable from heat, oil and sharp edges. Make sure that connection points remain dry.

Always unplug the equipment when dismantling the set, when it is not in use and before maintenance.

→ Always disconnect the UV unit and the pump from the mains before undertaking any work on them.

For Austria:

In Austria power cables should correspond to ÖVE-EM 42, T2 (2000)/1979 § 22 according to § 2022.1. According to this standard units used in swimming pools and ponds should only be operated via an isolating transformer.

→ Please contact your electrician.

For Switzerland:

In Switzerland mobile appliances which are used outdoors, must be connected via a residual-current device.

Notes:

Never operate the UV unit without water throughput.

Never let the pump run dry; running dry generates heat and will damage the pump.

Sand and other abrasive substances in the liquid cause increased wear and reduce the output of the pump.

The temperature of the liquid used must not be below 4 °C or above 35 °C.

Safety switch:

If the UV light overheats, it is switched off by the built-in thermal protection switch. The UV light switches itself on again automatically when it has cooled down sufficiently.

Due to the integrated safety switch the lamp only comes on when the UV unit is properly installed.

Positioning the filter:

→ Stand or bury the filter housing in a stable position at least 2 m away next to the garden pond.

The filter must be positioned higher than the surface of the pond.

Bacterial Activity:

Extensive bacterial activity arises from + 10 °C onwards.

The filter system is a biological system and therefore, when newly installed, needs a few weeks until it is fully effective.

If possible, the filter should be in permanent operation from spring to autumn. The pump should be in operation 24 hours a day so that the bacteria do not die off.

3. Function

1 Water intake

Connection nipple for the pump supply hose in the pond.

2 Mechanical filtering

Dirt in the pond water is retained mechanically by the large outer surface of the foam components in the filter.

2 + 3 Biological treatment

The biological treatment of the pond water takes place in two different areas inside the filter foams:

- **The biological treatment of the pond water takes place in two different areas inside the filter foams:**
This promotes the growth of micro-organisms which guarantee the conversion of ammonia into nitrate via nitrite (nitrification).
- **In zones where the water has a low flow speed (black filter sponges):**
This supports the growth of anaerobic micro-organisms which promote denitrification (reduction of nitrate to nitrogen).

In both areas the inner surface of the filter sponges forms a large breeding ground for micro-organisms.

4 UVC-radiation

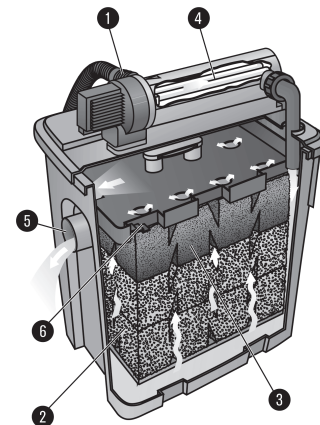
The pond water, which has already undergone preliminary treatment, is subjected to short wave UVC-light (ultraviolet rays). During this process, the algal growth is reduced and germs which cause disease in fish ponds are killed.

5 Water discharge

Water discharge DN 50 for the return flow of the cleansed water.

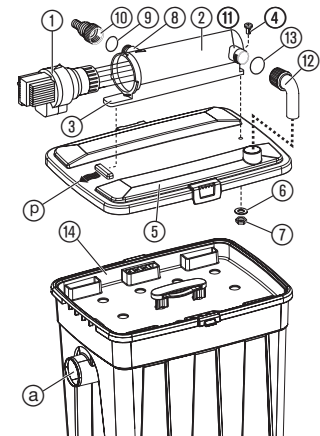
6 Contamination indicator and overflow protection

Contamination indicator for simple detection of the need to clean the filter. Degree of contamination of the foam in the filter: 25 %, 50 %, 75 %. With even greater contamination, the water runs back into the pond uncleaned (overflow protection).



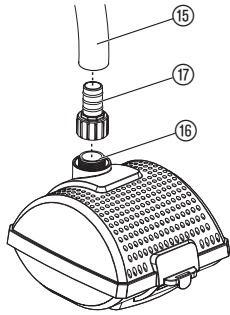
4. Assembly

Assembling the UV pond filter:



1. Turn UV unit head ① of the UV unit ② anti-clockwise 1 and remove carefully 2 (bayonet fitting) (see 8. Trouble-Shooting "Changing the bulb").
2. Attach the shaped discharge tube ⑫ to the UV outlet ⑪ by screwing on the washer ⑬.
3. Insert the nose of the UV unit ③ into the receptacle of the filter cover ⑤.
4. Screw nut ⑦ with washer ⑥ from below onto the screw ④ and screw the UV unit ② onto the filter cover ⑤.
5. Push the filter cover ⑤ with the UV device ② onto the filter housing ⑭, so that the arrow ⑰ is positioned above the outlet ①.
6. Insert UV bulb and fit UV unit (see 8. Trouble-Shooting "Changing the bulb").
7. Screw the connection nipple ⑩ on to the UV inlet ⑧ with the O-Ring ⑨.

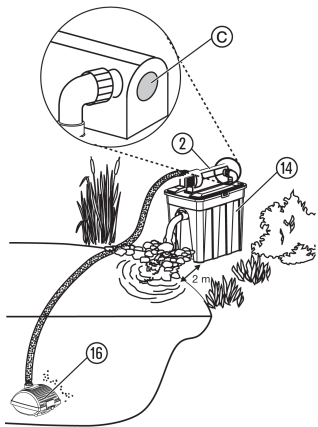
Connecting pump:



1. Cut the connecting hose (15) between pump and filter to size accordingly.
2. Screw connection nipple (17) onto the pump (16).
3. Connect the pump and the UV device with the connection hose (15).
If necessary, secure the connection hose with hose clamps (not included in delivery contents.)

5. Initial Operation

Start up UV pond filter:



1. Stand the UV pond filter (14) in a stable position at least 2 m away next to the garden pond.
The outlet may not be more than 1m above the surface of the pond.

For trouble-free water flow, the UV pond filter should be installed horizontally if possible.

2. Place the pump (16) in a stable position in the garden pond, so that it is completely covered by water.
3. Plug the mains plug of the pump (16) into a 230 V AC socket.
Warning: The pump will start immediately!
4. Plug the mains plug of the UV unit (2) into a 230 V AC socket.
The UV inspection glass (C) is lit blue.

Return flow tip:

We recommend that you lay the return flow in such a way that the purified water is reintroduced indirectly e. g. via a short stream. This enriches the purified water with additional oxygen.

6. Putting out of Operation

Overwintering / Storage:



The storage location must not be accessible to children.

1. Remove the pump from the pond before the start of the frost season, and clean. Disconnect the hose from the pump, empty the UV pond filter completely, and clean thoroughly.
2. In order to avoid start-up difficulties in spring, it is recommended to store the pump in a container filled with water in a frost-free location.
The mains plug must not be immersed.

Disposal:
(in accordance with RL2002/96/EC)



The product must not be added to normal household waste. It must be disposed of in line with local environmental regulations.

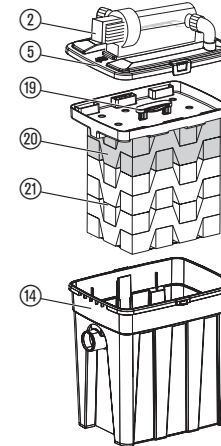
7. Maintenance



DANGER! Electric shock!

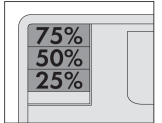
→ Before undertaking maintenance, unplug the UV unit and the pump from the mains!

Cleaning the filter:



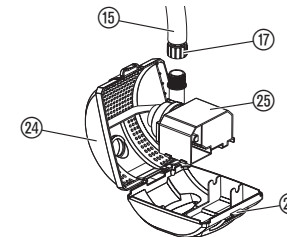
Do not use any chemical cleaning agents so that the bacteria are not killed.

If the water level in the contamination display is more than 50 %, the coarse dirt in the filters should be removed.



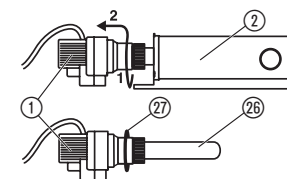
1. Remove filter cover (5) with UV unit (2) from filter housing (14).
2. Remove intermediate cover (19) with filter sponges (20 / 21) and clean under running water.
3. Clean filter housing (14) under running water.
4. Insert intermediate cover (19) with filter sponges (20 / 21) again and press filter cover (5) with UVC unit (2) on again.
5. Restart the filter
(see 5. Initial Operation "Start up UV pond filter").

Cleaning the pump housing of the pump:



1. Take pump out of the water.
2. Unscrew the connecting hose (15) with connection nipple (17).
3. Unlock snap fastening (23) and open up the pump housing (24).
4. Take pump (25) out of the pump housing (24).
5. Clean pump housing (24) under running water.
6. Re-assemble pump in reverse order.

Cleaning the UV unit:



1. Turn the top (1) of the UV unit (2) anticlockwise 1 and carefully remove 2 (bayonet socket).
2. Clean the glass tube (26) (using liquid glass cleaner, for example).
3. Fit the UV unit (2) again in reverse order.

When installing, make sure that the O-ring (27) is inserted correctly in the top of the UV unit (1).

8. Trouble-Shooting



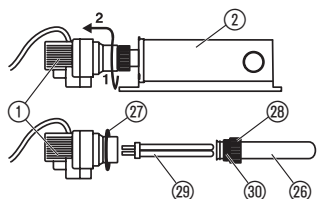
DANGER! Electric shock!

→ Before undertaking Trouble-Shooting, unplug the UV unit and the pump from the mains!

The UV bulb should be replaced after approximately 8,000 operating hours since the UV performance decreases dramatically after this time.

Only bulbs of the type TC-S (UV-C) may be used (e. g. Radium, Philips or Sylvania). The correct GARDENA UV bulb (Art. No. 5388 for F 4000 S / Art. No. 5390 for F 7000 S) can be ordered at a dealer or from GARDENA Service.

Changing the bulb:



WARNING !

→ Due to the integrated safety switch the lamp only comes on when the UV unit is properly installed.

1. Turn the top ① of the UV unit ② anticlockwise 1 and carefully remove 2 (bayonet socket).
2. Carefully unscrew the ring ⑳.
3. Pull off the glass tube ㉔ (It may be relatively difficult to remove the glass tube due to mineral deposits.)
4. Take out faulty bulb ㉑ and insert new bulb.
5. Reassemble the UV unit ② in reverse order.

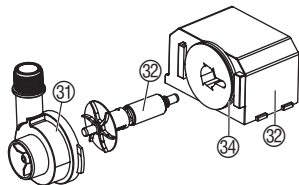


WARNING Short-circuit!

→ The ring ㉔ must be screwed on firmly again to guarantee that the glass tube ㉔ is sealed!

When installing, make sure that the O-ring ㉓ fits properly on the glass tube ㉔ and that the O-ring ㉑ is inserted correctly in the top of the UV unit ①.

Cleaning the pump:



1. Remove pump from pump housing (see 7. Maintenance "Cleaning the pump housing of the pump").
2. Turn pump cover ㉑ clockwise and remove vertically from motor housing ㉒ (bayonet catch).
3. Draw rotor unit ㉓ out of motor housing ㉒ and clean.
4. Push cleaned rotor unit ㉓ back into the motor housing ㉒.
5. Press pump cover ㉑ vertically onto motor housing ㉒ and turn counter-clockwise. *Observe correct position of the seal ㉔.*
6. Assemble pump in the pump housing.

Fault	Possible Cause	Remedy
The water is not clear	Filter or delivery capacity of the pump not suitable.	→ Check whether UV pond filter set is sufficient for the pond (see 1. Range of use of Your GARDENA UV pond filter set).
	Too many fish and creatures in the pond.	→ Add up the estimated length of the fish. There should only be "80cm fish" per m ³ water in the pond.

Fault	Possible Cause	Remedy	
The water is not clear	The glass tube of the UV unit is dirty.	→ Clean UV unit (see 7. Maintenance).	
	The flow is reduced	The filter sponges are dirty.	→ Clean filter (see 7. Maintenance).
		UV device is dirty.	→ Clean UV device.
		Pump filter housing is dirty.	→ Clean pump filter housing.
		Rotor unit is blocked.	→ Clean pump.
UV inspection glass is not lit	Bulb defective.	→ Change bulb.	
	UV inspection glass dirty.	→ Clean UV inspection glass.	
	Electrical connections defective.	→ Check electrical connections.	
	UV bulb is not mounted completely.	→ Mount UV bulb completely.	



For any other malfunctions please contact the GARDENA service department. Repairs must only be carried out by GARDENA service departments or specialist dealers authorised by GARDENA.

9. Technical Data

	F 4000 S (Art. 7842)	F 7000 S (Art. 7844)
Rated power, UV unit	10 W	14 W
Power cable, UV unit	3m; H05RN-F3G0,75	3m; H05RN-F3G0,75
Bulb, UV unit	type 7 W TC-S (UV-C)	type 11 W TC-S (UV-C)
Rated power, pump	30 W	40 W
Power cable, pump	10m H05RN-F3G0,75	10m H05RN-F3G0,75
Max. delivery capacity, pump	1,300 l/h	2,200 l/h
Max. delivery head, pump	1.6m	1.9m
Mains voltage / mains frequency	230 V / 50 Hz	230 V / 50 Hz
Max. immersion depth	2m	2m
Water discharge	DN 50	DN 50
Connecting hose	3m	3m
Media temperature	4 °C – 35 °C	4 °C – 35 °C

10. Service / Warranty

GB

Warranty:

GARDENA guarantees this product for 2 years (from date of purchase). This guarantee covers all serious defects of the unit that can be proved to be material or manufacturing faults. Under warranty we will either replace the unit or repair it free of charge if the following conditions apply:

- The unit must have been handled properly and in keeping with the requirements of the Operating Instructions.
- Neither the purchaser or a non-authorised third party have attempted to repair the unit.

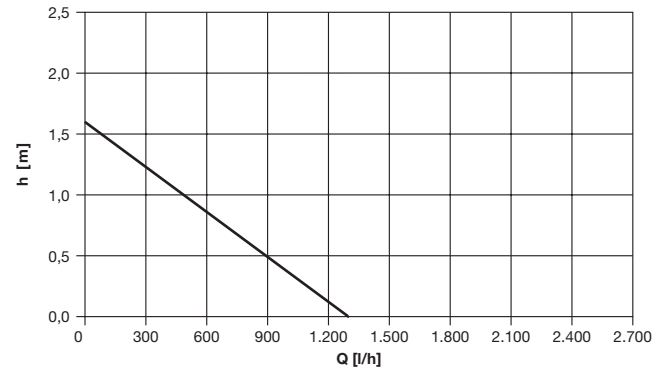
The wearing parts UV bulb, filter materials and rotor unit are excluded from the warranty.

This manufacturer's guarantee does not affect the user's existing warranty claims against the dealer / seller.

If you have any problems with your UV Pond Filter Set, please contact our Service or return the defective unit together with a short description of the problem – in case of guarantee, with a copy of the receipt – postage paid to one of the GARDENA Service Centres listed on the back of this leaflet.

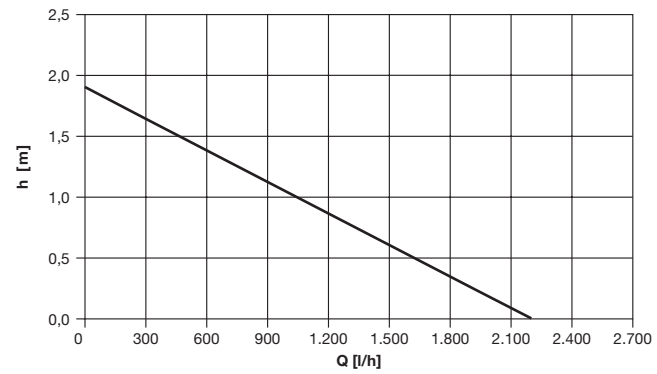
F 4000 S Art. 7842

Pumpen-Kennlinie
Performance characteristics
Courbes de performance
Prestatiegrafiek
Kapacitetskurva
Ydelses karakteristika
Curva di rendimento
Curva característica
de la bomba
Características de performance



F 7000 S Art. 7844

Pumpen-Kennlinie
Performance characteristics
Courbes de performance
Prestatiegrafiek
Kapacitetskurva
Ydelses karakteristika
Curva di rendimento
Curva característica
de la bomba
Características de performance



D Produkthaftung	Wir weisen ausdrücklich darauf hin, dass wir nach dem Produkthaftungsgesetz nicht für durch unsere Geräte hervorgerufene Schäden einzustehen haben, sofern diese durch unsachgemäße Reparatur verursacht oder bei einem Teileaustausch nicht unsere originale GARDENA Teile oder von uns freigegebene Teile verwendet wurden und die Reparatur nicht vom GARDENA Service oder dem autorisierten Fachmann durchgeführt wird. Entsprechendes gilt für Ergänzungsteile und Zubehör.
GB Product Liability	We expressly point out that, in accordance with the product liability law, we are not liable for any damage caused by our units if it is due to improper repair or if parts exchanged are not original GARDENA parts or parts approved by us, and, if the repairs were not carried out by a GARDENA Service Centre or an authorised specialist. The same applies to spare parts and accessories.
F Responsabilité	Nous vous signalons expressément que GARDENA n'est pas responsable des dommages causés par ses appareils, dans la mesure où ces dommages seraient causés suite à une réparation non conforme, dans la mesure où, lors d'un échange de pièces, les pièces d'origine GARDENA n'auraient pas été utilisées, ou si la réparation n'a pas été effectuée par le Service Après-Vente GARDENA ou l'un des Centres SAV agréés GARDENA. Ceci est également valable pour tout ajout de pièces et d'accessoires autres que ceux préconisés par GARDENA.
NL Productaansprakelijkheid	Wij wijzen er nadrukkelijk op, dat wij op grond van de wet aansprakelijkheid voor producten niet aansprakelijk zijn voor schade ontstaan door onze apparaten, indien deze door onvakkundige reparatie veroorzaakt zijn, of er bij het uitwisselen van onderdelen geen gebruik gemaakt werd van onze originele GARDENA onderdelen of door ons vrijgegeven onderdelen en de reparatie niet door de GARDENA technische dienst of de bevoegde vakman uitgevoerd werd. Ditzelfde geldt voor extra-onderdelen en accessoires.
S Produktansvar	Tillverkaren är inte ansvarig för skada som orsakats av produkten om skadan beror på att produkten har reparerats felaktigt eller om, vid reparation eller utbyte, andra än Original GARDENA reservdelar har använts. Samma sak gäller för kompletteringsdelar och tillbehör.
DK Produktansvar	Vi gør udtrykkelig opmærksom på, at vi i henhold til produktansvarsløven ikke er ansvarlige for skader forårsaget af vores udstyr, såfremt det sker på grund af uautoriserede reparationer eller hvis dele er skiftet ud og der ikke er anvendt originale GARDENA dele eller dele godkendt af os, eller hvis reparationerne ikke er udført af GARDENA-service eller en autoriseret fagmand. Det samme gælder for ekstra udstyr og tilbehør.
I Responsabilità del prodotto	Si rende espressamente noto che, conformemente alla legislazione sulla responsabilità del prodotto, non si risponde di danni causati da nostri articoli se originati da riparazioni eseguite non correttamente o da sostituzioni di parti effettuate con materiale non originale GARDENA o comunque da noi non approvato e, in ogni caso, qualora l'intervento non venga eseguito da un centro assistenza GARDENA o da personale specializzato autorizzato. Lo stesso vale per le parti complementari e gli accessori.
E Responsabilidad de productos	Advertimos que conforme a la ley de responsabilidad de productos no nos responsabilizamos de daños causados por nuestros aparatos, siempre y cuando dichos daños hayan sido originados por arreglos o reparaciones indebidas, por recambios con piezas que no sean piezas originales GARDENA o bien piezas no autorizadas por nosotros, así como en aquellos casos en que la reparación no haya sido efectuada por un Servicio Técnico GARDENA o por un técnico autorizado. Lo mismo es aplicable para las piezas complementarias y accesorios.
P Responsabilidade sobre o produto	Queremos salientar que segundo a lei da responsabilidade do fabricante, nós não nos responsabilizaremos por danos causados pelo nosso equipamento, quando estes ocorrerem em decorrência de reparações inadequadas ou da substituição de peças por peças não originais da GARDENA, ou peças não autorizadas. A responsabilidade tornar-se-à nula também depois de reparações realizadas por oficinas não autorizadas pela GARDENA. Esta restrição valerá também para peças adicionais e acessórios.

D EU-Konformitätserklärung Maschinenverordnung (9. GSGVO) / EMVG / Niedersp. RL Der Unterzeichnete GARDENA Manufacturing GmbH · Hans-Lorenser-Straße 40 · D-89079 Ulm bestätigt, dass die nachfolgend bezeichneten Geräte in der von uns in Verkehr gebrachten Ausführung die Anforderungen der harmonisierten EU-Richtlinien, EU-Sicherheitsstandards und produktspezifischen Standards erfüllen. Bei einer nicht mit uns abgestimmten Änderung der Geräte verliert diese Erklärung ihre Gültigkeit.	Bezeichnung der Geräte: Description of the units: Désignation du matériel :	UVC-Teichfilter-Set UV pond filter set Kit de filtration UVC pour bassin
GB EU Certificate of Conformity The undersigned GARDENA Manufacturing GmbH · Hans-Lorenser-Str. 40 · D-89079 Ulm hereby certifies that, when leaving our factory, the units indicated below are in accordance with the harmonised EU guidelines, EU standards of safety and product specific standards. This certificate becomes void if the units are modified without our approval.	Omschrijving van de apparaten: Produktbeskrivning: Beskrivelse af produktet: Descrizione dei prodotti:	UVC-vijverfilter-set UV dammfilterset UV bassinfiltersæt Set filtro UVC per laghetti
F Certificat de conformité aux directives européennes Le constructeur, soussigné : GARDENA Manufacturing GmbH · Hans-Lorenser-Str. 40 · D-89079 Ulm déclare qu'à la sortie de ses usines le matériel neuf désigné ci-dessous était conforme aux prescriptions des directives européennes énoncées ci-après et conforme aux règles de sécurité et autres règles qui lui sont applicables dans le cadre de l'Union européenne. Toute modification portée sur ce produit sans l'accord express de GARDENA supprime la validité de ce certificat.	Descripción de la mercancía: Descrição dos aparelhos:	Kit de filtrado para estanques UVC Conjunto filtro para lago UVC
NL EU-overeenstemmingsverklaring Ondergetekende GARDENA Manufacturing GmbH · Hans-Lorenser-Str. 40 · D-89079 Ulm bevestigt, dat de volgende genoemde apparaten in de door ons in de handel gebrachte uitvoering voldoen aan de eis van, en in overeenstemming zijn met de EU-richtlijnen, de EU-veiligheidsstandaard en de voor het product specifieke standaard. Bij een niet met ons afgestemde verandering aan de apparaten verliest deze verklaring haar geldigheid.	Typen: Types: Types : Type: Typ: Typert: Type: Tipi: Tipos: Tipos:	Art.-Nr.: Art. No.: Référence : Art.nr.: Art.n.: Art. nr.: Art.: Art. No.: Art. no:
S EU Tillverkarintyg Undertecknad firma GARDENA Manufacturing GmbH · Hans-Lorenser-Str. 40 · D-89079 Ulm intygar härmed att nedan nämnda produkter överensstämmer med EU:s direktiv, EU:s säkerhetsstandard och produktspecifikation. Detta intyg upphör att gälla om produkten ändras utan vårt tillstånd.	F 4000 S F 7000 S	7842 7844
DK EU Overensstemmelse certifikat Undertegnede GARDENA Manufacturing GmbH · Hans-Lorenser-Str. 40 · D-89079 Ulm bekræfter hermed, at enheder listet herunder, ved afsendelse fra fabrikken, er i overensstemmelse med harmoniserede EU retningslinier, EU sikkerheds standarder og produkt specifikations standarder. Dette certifikat træder ud af kraft hvis enhederne er ændret uden vor godkendelse.	EU-Richtlinien: EU directives: Directives européennes : EU-richtlijnen: EU directiv: EU Retningslinier: Direttive UE: Normativa UE: Diretrizes da UE:	2006/95/EG 2004/108/EG
I Dichiarazione di conformità alle norme UE La sottoscritta GARDENA Manufacturing GmbH · Hans-Lorenser-Str. 40 · D-89079 Ulm certifica che il prodotto qui di seguito indicato, nei modelli da noi commercializzati, è conforme alle direttive armonizzate UE nonché agli standard di sicurezza e agli standard specifici di prodotto. Qualunque modifica apportata al prodotto senza nostra specifica autorizzazione invalida la presente dichiarazione.	Harmonisierte EN:	EN 60335-1 EN 60335-2-41 EN 60366 EN 60598-1 EN 60598-2-1
E Declaración de conformidad de la UE El que subscribe GARDENA Manufacturing GmbH · Hans-Lorenser-Str. 40 · D-89079 Ulm declara que la presente mercancía, objeto de la presente declaración, cumple con todas las normas de la UE, en lo que a normas técnicas, de homologación y de seguridad se refiere. En caso de realizar cualquier modificación en la presente mercancía sin nuestra previa autorización, esta declaración pierde su validez.	Anbringningsjaar der CE-Kennzeichnung: Year of CE marking: Année d'apposition du marquage CE : Installatiejaar van de CE-aanduiding: Märkningsår: CE-Mærkningsår: Anno di applicazione della certificazione CE: Colocación del distintivo CE: Ano de marcação pela CE:	2008
P Certificado de conformidade da UE Os abaixo mencionados GARDENA Manufacturing GmbH · Hans-Lorenser-Str. 40 · D-89079 Ulm Por este meio certificamos que ao sair da fábrica os aparelhos abaixo mencionados estão de acordo com as directrizes harmonizadas da UE, padrões de segurança e de produtos específicos. Este certificado ficará nulo se as unidades forem modificadas sem a nossa aprovação.	Ulm, den 01.10.2008 Ulm, 01.10.2008 Fait à Ulm, le 01.10.2008 Ulm, 01-10-2008 Ulm, 2008.10.01 Ulm, 01.10.2008 Ulm, 01.10.2008 Ulm, 01.10.2008 Ulm, 01.10.2008	Der Bevollmächtigte Authorised representative Le mandataire De gevolmachtigde Auktoriserad representant Autoriseret repræsentant Persona delegata La persona autorizada O representante
		 Peter Lameli Vice President

Deutschland / Germany

GARDENA
Manufacturing GmbH
Central Service
Hans-Lorenser-Str. 40
89079 Ulm
Produktfragen:
(+49) 731 490-123
Reparaturen:
(+49) 731 490-290
service@gardena.com

Argentina

Husqvarna Argentina S.A.
Vera 745
(C1414A00) Buenos Aires
Phone: (+ 54) 11 4858-5000
diego.poggi@ar.husqvarna.com

Australia

Husqvarna Australia Pty. Ltd.
Locked Bag 5
Central Coast BC
NSW 2250
Phone: (+ 61) 1800 802831
customer.service@
husqvarna.com.au

Austria / Österreich

Husqvarna Austria GmbH
Consumer Products
Industriezeile 36
4010 Linz
Phone: (+43) (0) 732/77 01 01-90
consumer.service@husqvarna.at

Belgium

GARDENA Belgium NV/SA
Sterrebeekstraat 163
1930 Zaventem
Phone: (+32) 27 20 921 2
info@gardena.be

Brazil

Palash Importação
e Comércio Ltda
Rua São João do Araguaia, 338
Barueri – SP – CEP: 06409-060
Phone: (+55) 11 4198-9777
eduardo@palash.com.br

Bulgaria

Husqvarna Bulgaria Eood
72 Andrey Ljapchev Blvd.
1799 Sofia
Phone: 02/9 75 30 76

Canada

GARDENA Canada Ltd.
100 Summerlea Road
Brampton, Ontario L6T 4X3
Phone: (+1) 905 792 93 30
info@gardenacanada.com

Chile

Garden Chile S.A.
San Sebastián 2839
Ofic. 701 A
Las Condes - Santiago de Chile
Phone: (+56) 2 20 10 708
garfar_cl@yahoo.com

Costa Rica

Compania Exim
Euroiberoamericana S.A.
Apto Postal 1260
San José
Phone: (+506) 223 20 75
exim_euro@racsa.co.cr

Croatia

KLIS d.o.o.
Stančičeva 79
10419 Vukovina
Phone: (+385) 1 622 777 0
gardena@klis-trgovina.hr

Cyprus

FARMOKIPIKI LTD
P.O. Box 7098
74, Digeni Akritia Ave.
1641 Nicosia
Phone: (+357) 22 75 47 62
condam@spidernet.com.cy

Czech Republic

GARDENA spol. s.r.o.
Tuřanka 115
62700 Brno
Phone: (+420) 548 217 777
gardena@gardenabmo.cz

Denmark

GARDENA
Husqvarna Consumer Outdoor
Products
Salgsafdelning Danmark
Box 9003
200 39 Malmö
info@gardena.dk

Estonia

Husqvarna Eesti OÜ
Consumer Outdoor Products
Kesk tee 10, Aaviku küla
Rae vald, Harju maakond 75305
kontakt.etj@husqvarna.ee

Finland

Oy Husqvarna Ab
Consumer Outdoor Products
Lautatarhankatu 8 B / PL 3
00581 HELSINKI
info@gardena.fi

France

GARDENA France
Immeuble Exposial
9 - 11 allée des Pierres Mayettes
ZAC des Barbannières
B.P. 99
92232 Gennevilliers cedex
Phone: (+33) 01 40 85 30 40
service.consommateurs@gardena.fr

Great Britain

Husqvarna UK Ltd
Preston Road
Aycliffe Industrial Park
Newton Aycliffe
Co Durham
DL5 6UP
info.gardena@husqvarna.co.uk

Greece

Ηραϊοτου 33α
Βλ. Πλ. Κορωπίου
19400 Κορωπί Αττικής
Phone: (+30) 210 66 20-2 25 and -
2 26
service@agrokkip.gr

Hungary

Husqvarna
Magyarország Kft.
Ezred u. 1 – 3
1044 Budapest
Phone: (+ 36) 80 20 40 33
gardena.gardena.hu

Iceland

Ö. Johnson & Kaaber
Tunguhalsi 1
110 Reykjavik
ooj@ojk.is

Ireland

McLoughlins RS
Unit 5
Norther Cross Business Park
North Road, Finlglas
Dublin 11

Italy

GARDENA Italia S.p.A.
Via Donizetti 22
20020 Lainate (MI)
Phone: (+39) 02.93.94.79.1
info@gardenaitalia.it

Japan

KAKUICHI co., Ltd.
Sumitomo Realty & Development
Kojimachi
BLDG., 8F
5 – 1 Nibanncyo, chiyoda-ku,
Tokyo 102-0084
Phone: (+81)-(0)3-3264-4721
m-ishihara@kaku-ichi.co.jp

Latvia

SIA „Husqvarna Latvija“
Consumer Outdoor Products
Bākūzu iela 6, Rīga, LV-1024
info@husqvarna.lv

Lithuania

UAB Husqvarna Lietuva
Consumer Outdoor Products
Ateities pl. 77C
LT-52104 Kaunas
centras@husqvarna.lt

Luxembourg

Magasins Jules Neuberg
39, rue Jacques Stas
Luxembourg-Gasperich 2549
Case Postale No. 12
Luxembourg 2010
Phone: (+352) - 40 14 01
api@neuberg.lu

Netherlands

GARDENA Nederland B.V.
Postbus 50176
1305 AD ALMERE
Phone: (+31) 36 521 00 00
info@gardena.nl

Neth. Antilles

Jonka Tuincentrum
Sta. Rosa Weg 196
P.O. Box 8200
Curaçao
Phone: (+599) 9 767 66 55
pgm@jonka.com

New Zealand

Husqvarna New Zealand Ltd.
PO Box 76437
Manukau City 2241
Phone: (09) 9 20 24 10

Norway

GARDENA
Husqvarna Consumer Outdoor
Products
Salgskontor Norge
Klevenveien 6
1540 Vestby
info@gardena.no

Poland

HUSQVARNA Poland Sp.z o.o.
Oddział w Szymanowie
Szymanów 9 D
05-532 Baniocza

Portugal

GARDENA Portugal Lda.
Escritórios
Sintra Business Park
Edifício 1 - Fracção 0 G
Abrunheira
2710-089 Sintra
info@gardena.pt

Romania

MADEX INTERNATIONAL SRL
Șoseaua Odăii 117 – 123
Sector 1, București,
RO 013603
Phone: (+40) 21 352-7603 / 4 / 5 / 6
madex@gardena.ro

Russia / Россия

ООО «Husqvarna»
Leningradskaya street, vladenie 39
Khimki Business Park
Building 2, 4th floor
141400 Moscow Region, Khimki
Phone: +7 (495) 797 26 70

Singapore

HY-RAY PRIVATE LIMITED
40 Jalan Pemimpin
#02-08 Tat Ann Building
Singapore 577185
Phone: (+65) 6253 2277
shiyiyng@hyray.com.sg

Serbia

DOMEL d.o.o.
Savski Nasip 7
11070 Novi Beograd
Serbia
Phone: (+381) 11 2772 204
miroslav.jejina@domel.co.yu

Slovenia

GARDENA d.o.o.
Brodišče 15
1236 Trzin
Phone: (+386) 1 580 93 32
servis@gardena.si

South Africa

GARDENA
South Africa (Pty.) Ltd.
P.O. Box 11534
Vorna Valley 1686
Phone: (+27) 11 315 02 23
sales@gardena.co.za

Spain

GARDENA IBÉRICA S.L.U.
C/Basauri, nº 6
La Florida
28023 Madrid
Phone: (+34) 91 708 05 00
(4 líneas)
atencioncliente@gardena.es

Sweden

GARDENA
Husqvarna Consumer Outdoor
Products
Försäljningskontor Sverige
Box 9003
20039 Malmö
info@gardena.se

Switzerland / Schweiz

Husqvarna Schweiz AG
Consumer Products
Industriestrasse 10
5506 Mägenwil
Phone: +41 (0) 62 887 37 00
info@gardena.ch

Turkey

GARDENA Dost Diş Ticaret
Mümeslilik A.Ş.
Sanayi Çad. Adil Sok. No. 1
34873 Kartal – Istanbul
Phone: (+90) 216 38 93 939
info@gardena-dost.com.tr

Ukraine / Україна

ТОВ «ГАРДЕНА УКРАЇНА»
Васильківська, 34, 204-Г
03022, Київ
Тел.: (+38 044) 498 39 02
info@gardena.ua

USA

GARDENA Canada Ltd.
100 Summerlea Road
Brampton, Ontario L6T 4X3
Phone: (+1) 905 792 93 30
info@gardenacanada.com

7842-20.960.02/1208
© GARDENA Manufacturing GmbH
D-89070 Ulm
http://www.gardena.com