

**Art. 4029**

<b>D</b>	<b>Montageanleitung</b> Grasfangsack für Spindelmäher 300/380/300 C/380 C/380 AC/380 EC
<b>GB</b>	<b>Assembly Instructions</b> Grass Catcher for Cylinder Lawnmower 300/380/300 C/380 C/380 AC/380 EC
<b>F</b>	<b>Mode d'emploi</b> Sac de ramassage pour tondeuses hélicoïdales 300/380/300 C/380 C/380 AC/380 EC
<b>NL</b>	<b>Gebruiksaanwijzing</b> Grasvangzak voor kooimesmaaier 300/380/300 C/380 C/380 AC/380 EC
<b>S</b>	<b>Bruksanvisning</b> Gräsuppsamlare för cylindergräsklippare 300/380/300 C/380 C/380 AC/380 EC
<b>I</b>	<b>Istruzioni per l'uso</b> Cestello raccogliherba per rasaprato elicoidali 300/380/300 C/380 C/380 AC/380 EC
<b>E</b>	<b>Manual de instrucciones</b> Cesta de recogida para el cortacésped 300/380/300 C/380 C/380 AC/380 EC
<b>P</b>	<b>Instruções de montagem</b> Cesto coletor de relva para cortador do relva cilíndrico 300/380/300 C/380 C/380 AC/380 EC
<b>DK</b>	<b>Brugsanvisning</b> Græsfang til håndplæneklipper 300/380/300 C/380 C/380 AC/380 EC

**D**

→ Zusammenbau erfolgt entsprechend der Bildfolge.

Die mitgelieferten Aufhängungen ① werden für die Spindelmäher 300 C/380 C/380 AC/380 EC benötigt.

Wenn der Holm steiler nach oben gehalten wird, sollte das Aufhängeband ② entsprechend verlängert werden (siehe Abbildung 4).

**GB**

→ Assemble as shown in the sequence of illustrations.

The hooks ① supplied are needed for the cylinder lawnmowers 300 C/380 C/380 AC/380 EC.

If the handle is held up at a steeper angle, the suspension strap ② should be extended accordingly (see illustration 4).

**F**

→ Pour le montage, suivre les illustrations dans l'ordre.

Les suspensions livrées avec le sac de ramassage ① sont nécessaires à la fixation sur les modèles 300 C/380 C/380 AC/380 EC.

Si vous tenez le guidon plus à la verticale, la lanière de suspension ② doit être rallongée en conséquence (voir illustration 4).

**NL**

→ Montage vindt plaats volgens de reeks opeenvolgende afbeeldingen.

De meegeleverde ophangingen ① zijn nodig voor de kooimesmaaiers 300 C/380 C/380 AC/380 EC.

Als de duwstang steiler omhoog wordt gehouden, moet de ophangband ② dienovereenkomstig worden verlengd (zie afbeelding 4).

**S**

→ Monteringen sker enligt nedanstående illustration.

De medleverade upphängningsbanden ① är nödvändiga för handgräsklippare 300 C/380 C/380 AC/380 EC.

När handtaget placeras högre upp bör upphängningsband ② förlängas (se bild 4).

**I**

→ Procedere al montaggio seguendo l'ordine delle figure.

Le sospensioni fornite ① in dotazione servono per il fissaggio sui modelli 300 C/380 C/380 AC/380 EC.

Tendendo il manico sollevato verso l'alto più in verticale, la cinghia delle sospensioni ② dovrebbe allungarsi di conseguenza (ved. figura 4).

**E**

→ El montaje se realiza según la secuencia mostrada.

Las suspensiones ① que se adjuntan se necesitan para el cortacésped 300 C/380 C/380 AC/380 EC.

Cuando se mantenga el manillar levantado hacia arriba se deberá alargar la cinta de suspensión ② de manera acorde (véase figura 4).

**P**

→ A montagem efectua-se de acordo com a sequência das imagens.

Os engates ① fornecidos são necessários para os cortadores de relva cilíndricos 300 C/380 C/380 AC/380 EC.

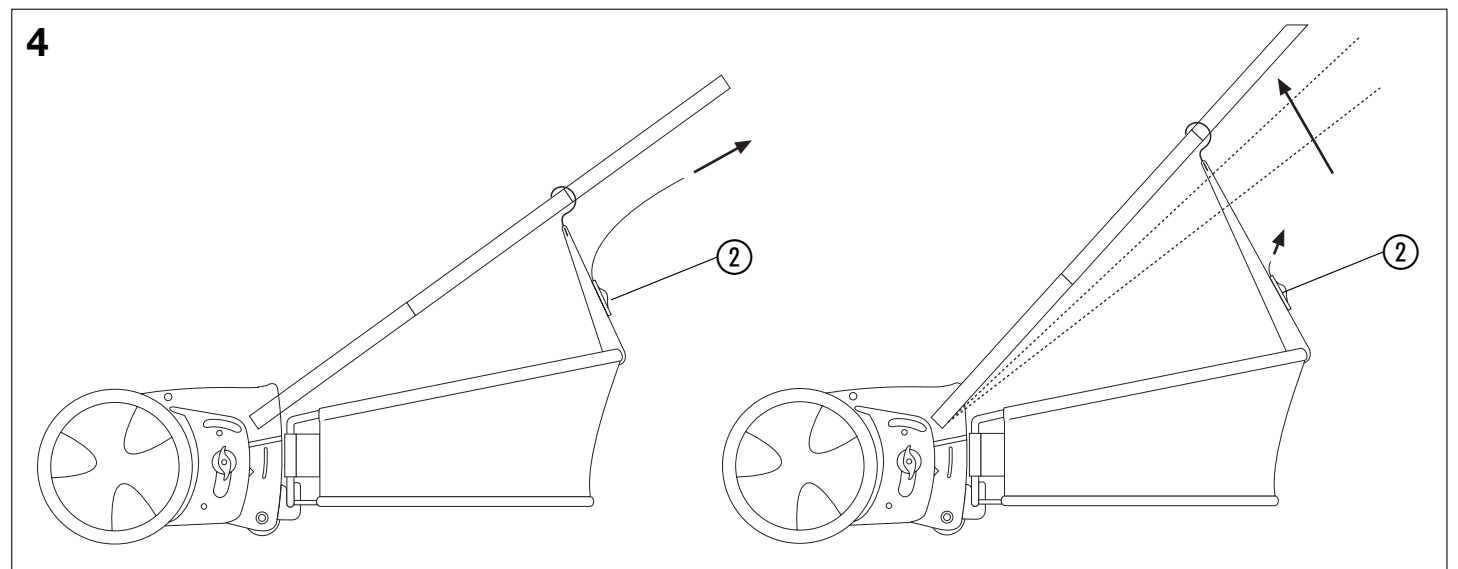
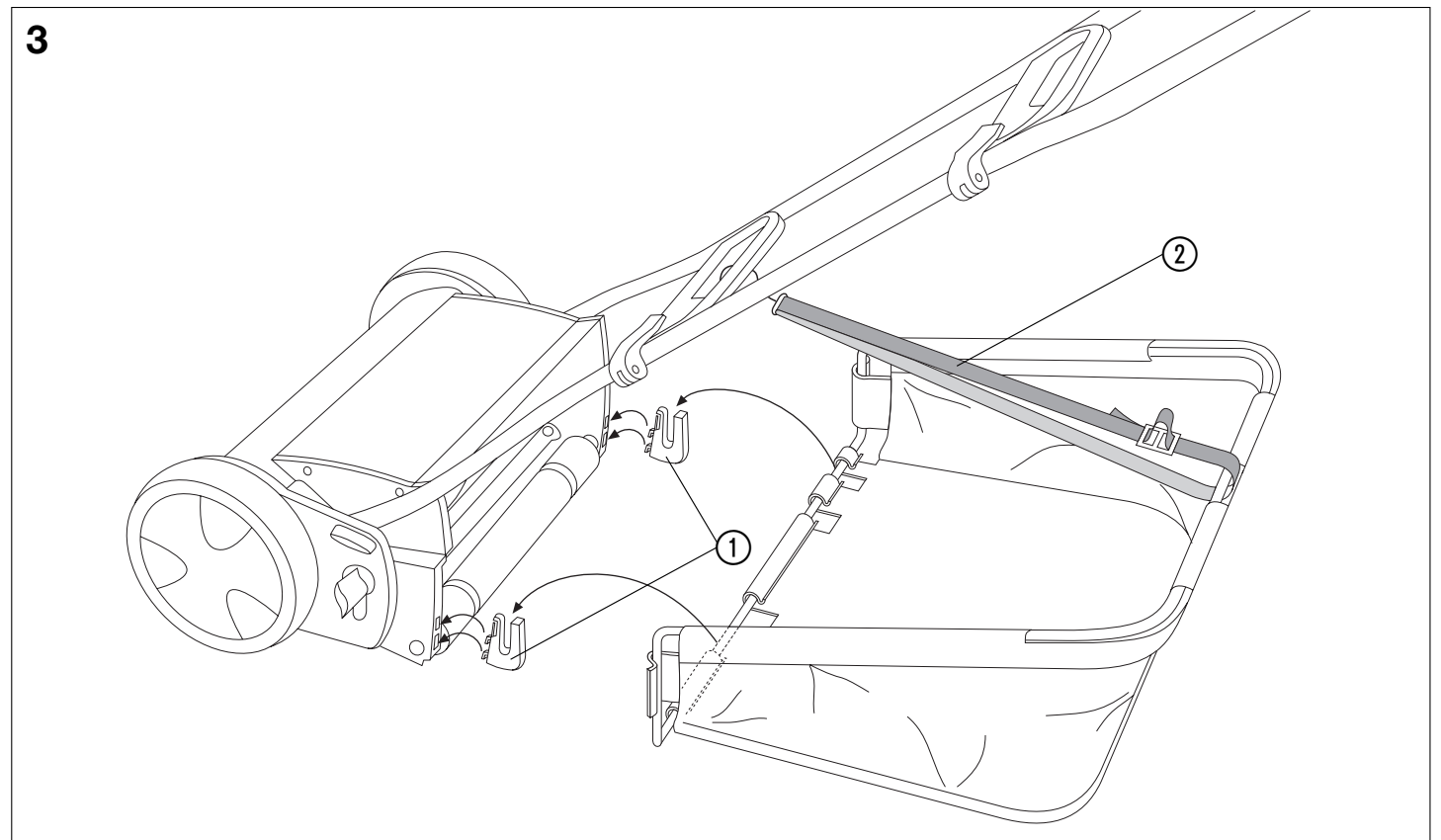
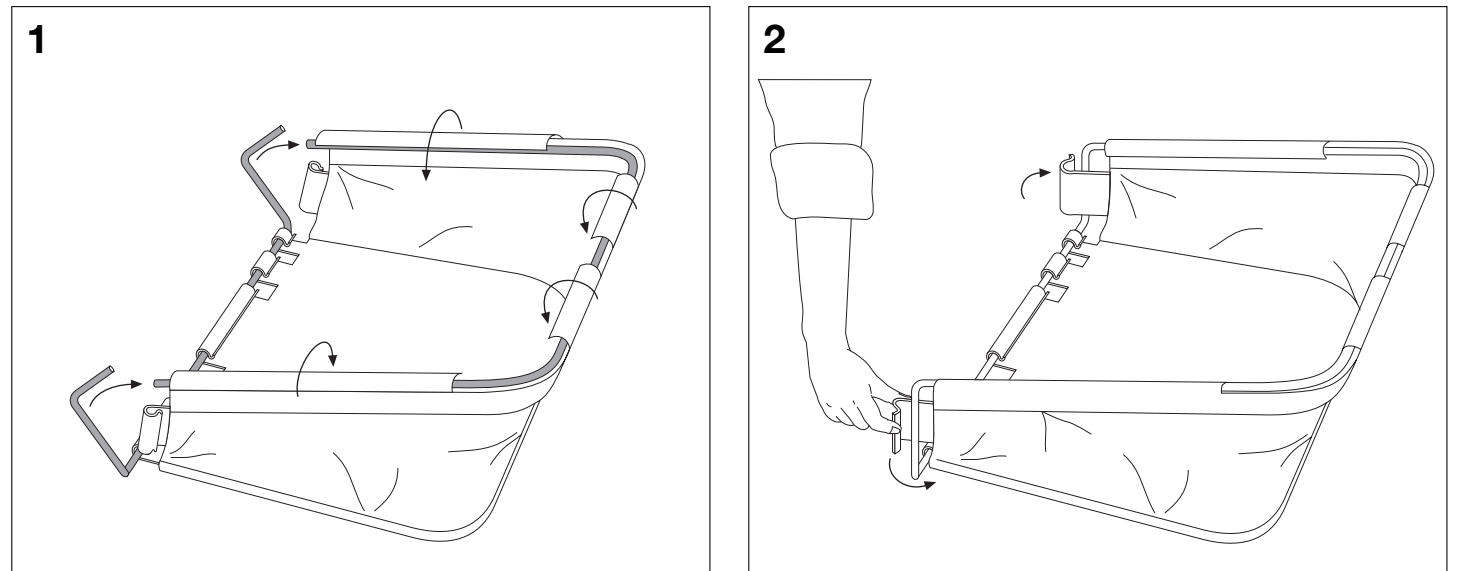
Quando a haste é segurada mais para cima, a tira ② deve ser prolongada respectivamente (ver Figura 4).

**DK**

→ Sammenbygningen foretages i overensstemmelse med rækkefølgen på billederne.

De medleverede ophængninger ① skal bruges til håndplæneklipperne 300 C/380 C/380 AC/380 EC.

Hvis håndtaget holdes mere stejlt opad, skal ophængningsbåndet ② forlænges tilsvarende (se illustration 4).



## Service

### Deutschland / Germany

GARDENA  
Manufacturing GmbH  
Service Center  
Hans-Lorenser-Str. 40  
89079 Ulm  
Produktfragen:  
(+49) 731 490-123  
Reparaturen:  
(+49) 731 490-290  
service@gardena.com

### Argentina

Argensem de Comercializadora  
Mecafron S.A.  
Casilla de Correo 193  
(1625) Escobar, Pcia. de Buenos Aires  
Phone: (+54) 34 88 49 40 40  
info@argensem.com.ar

### Australia

NYLEX Consumer Products  
50 – 70 Stanley Drive  
Somerton, Victoria, 3062  
Phone: 1800 658 276  
spare.parts@nylex.com.au

### Austria / Österreich

GARDENA Österreich  
Ges. m.b.H.  
Stettnerweg 11-15  
2100 Korneuburg  
Tel.: (+43) 22 62 745 45-36  
od. -30  
kundendienst@gardena.at

### Belgium

GARDENA Belgium NV/SA  
Sterrebeekstraat 163  
1930 Zaventem  
Phone: (+32) 27 20 921 2  
info@gardena.be

### Brazil

Palash Importação  
e Comércio Ltda  
Rua Américo Brasiliense  
2414 – Chácara Sto. Antonio  
São Paulo – SP –  
CEP 04715-005, Brazil  
Phone: (+55) 11 5181-2020  
eduardo@palash.com.br

### Bulgaria

DENEX LTD.  
2 Luis Ahalier Str., 7th floor  
Sofia 1404  
Phone: (+359) 29581821  
office@denex-bg.com

### Canada

GARDENA Canada Ltd.  
100 Summerlea Road  
Brampton, Ontario L6T 4X3  
Phone: (+1) 905 792 93 30  
info@gardenacanada.com

### Chile

Garden Chile S.A.  
San Sebastián 2839  
Ofic. 701 A  
Las Condes - Santiago de Chile  
Phone: (+56) 220 10 708  
garfar\_cl@yahoo.com

### Costa Rica

Compania Exim  
Euroiberoamericana S.A.  
Aptdo Postal 1260  
San José  
Phone: (+506) 223 20 75  
exim\_euro@racsa.co.cr

### Croatia

KLIS d.o.o.  
Stančićeva 79  
10419 Vukovina  
Phone: (+385) 1 622 777 0  
gardena@klis-trgovina.hr

### Cyprus

FARMOKIPIKI LTD  
P.O. Box 7098  
74, Digeni Akrita Ave.  
1641 Nicosia  
Phone: (+357) 22 75 47 62  
condam@spidernet.com.cy

### Czech Republic

GARDENA spol. s.r.o.  
Řípská 20a, č.p. 1153  
62700 Brno  
Phone: (+420) 800 100 425 (Hotline)  
gardena@gardenabrno.cz

### Denmark

GARDENA Norden AB  
Sales Office Denmark  
Box 9003  
S-200 39 MALMÖ  
info@gardena.dk

### Finland

Habitec Oy  
Tiilitie 14  
01720 Vantaa

### France

GARDENA France  
PARIS NORD 2  
69, rue de la Belle Etoile  
BP 57080 ROISSY EN FRANCE  
95948 ROISSY CDG CEDEX  
Tél. : (+33) 0826 101 455  
service.consommateurs@  
gardena.fr

### Great Britain

GARDENA UK Ltd.  
27/28 Brenkley Way  
Blezard Business Park  
Seaton Burn  
Newcastle upon Tyne  
NE13 6DS  
info@gardena.co.uk

### Greece

Agrokip-Psomadopoulos S. A.  
33 A, Ifestou str.  
Industrial Area  
194 00 Koropi, Athens  
Phone: (+30) 210 66 20-225 and  
-226  
service@agrokip.gr

### Hungary

GARDENA Magyarország Kft.  
Késmárk utca 22  
1158 Budapest  
Phone: (+36) 80 20 40 33 (Hotline)  
gardena@gardena.hu

### Iceland

Ó. Johnson & Kaaber  
Tunguhalsi 1  
110 Reykjavik

### Ireland

McLoughlin's Ltd.  
Unit 5  
Norther Cross Business Park  
North Road, Finglas  
Dublin 11

### Italy

GARDENA Italia S.p.A.  
Via Donizetti 22  
20020 Lainate (Mi)  
Phone: (+39) 02.93.94.79.1  
info@gardenaitalia.it

### Japan

KAKUICHI co., Ltd.  
Sumitomo Realty & Development  
Kojimachi  
BLDG., 8F  
5 – 1 Nibanncyo, chiyoda-ku,  
Tokyo 102-0084  
Phone: (+81)-(0)3-3264-4721  
m\_ishihara@kaku-ichi.co.jp

### Luxembourg

Magasins Jules Neuberger  
39, rue Jacques Stas  
Luxembourg-Gasperich 2549  
Case Postale No. 12  
Luxembourg 2010  
Phone: (+352) - 40 14 01  
api@neuberger.lu

### Netherlands

GARDENA Nederland B.V.  
Postbus 50176  
1305 AD ALMERE  
Phone: (+31) 36 521 00 00  
info@gardena.nl

### Neth. Antilles

Jonka Enterprises N.V.  
Sta. Rosa Weg 196  
P.O. Box 8200  
Curaçao  
Phone: (+599) 9 767 66 55  
pgm@jonka.com

### New Zealand

NYLEX New Zealand Ltd.  
Building 2  
118 Savill Drive  
Mangere, Auckland  
Phone: 0800 22 00 88  
spare.parts@nylex.com.au

### Norway

GARDENA Norden AB  
Sales Office Norway  
Karihaugveien 89  
1089 OSLO

### Poland

GARDENA Polska Sp. z o.o.  
Szymanów 9d  
05-532 Baniocza  
Phone: (+48) 22 727 56 90  
gardena@gardena.pl

### Portugal

GARDENA Portugal Lda.  
Edif. GARDENA  
Algueirão  
2725-596 Mem Martins  
Phone: 219228530  
info@gardena.pt

### Romania

MADEX INTERNATIONAL SRL  
Șoseaua Odăii 117 – 123  
Sector 1, București,  
RO 013603  
Phone: (+40) 21 352-7603/  
4/5/6  
madex@gardena.ro

### Russia / Россия

ООО «ГАРДЕНА РУС»  
Хорошевское шоссе, д. 32А  
123 007 г. Москва  
Phone: +7 (495) 647-25-10

### Singapore

HY-RAY PRIVATE LIMITED  
40 JALAN PEMIMPIN  
#02-08 Tat Ann Building  
Singapore 577185  
Phone: (+65) 625 32 277  
hyray@singnet.com.sg

### Serbia

DOMEL d.o.o.  
Savski Nasip 7  
11070 Novi Beograd  
Serbia  
Phone: (+381) 11 2772 204  
miroslav.jejina@domel.co.yu

### Slovenia

GARDENA d.o.o.  
Brodišče 15  
1236 Trzin  
Phone: (+386) 1 580 93 32  
servis@gardena.si

### South Africa

GARDENA  
South Africa (Pty.) Ltd.  
P.O. Box 11534  
Vorna Valley 1686  
Phone: (+27) 11 315 02 23  
sales@gardena.co.za

### Spain

GARDENA IBÉRICA S.L.U.  
C/Basauri, nº 6  
La Florida  
28023 Madrid  
Phone: (+34) 91 708 05 00  
(4 líneas)  
atencioncliente@gardena.es

### Sweden

GARDENA Norden AB  
Försäljningskontor Sverige  
Box 9003  
20039 Malmö  
info@gardena.se

### Switzerland / Schweiz

GARDENA (Schweiz) AG  
Brüelstrasse 4  
8157 Dielsdorf  
Tel.: 01/860 26 66  
info@gardena.ch

### Turkey

GARDENA Dost Dış Ticaret  
Mümesillik A.Ş.  
Sanayi Çad. Adil Sok. No. 1  
34873 Kartal – Istanbul  
Phone: (+90) 216 38 93 939  
info@gardena-dost.com.tr

### Ukraine / Україна

GARDENA Ukraine Ltd.  
4 Petropavlivska Street  
Petropavlivska Borschahivka  
Town  
08130 Kyivo Svyatoshyn Region  
Phone: +380 44 4595703  
info@gardena.ua

### USA

GARDENA  
Melnor, 3085 Shawnee Drive  
Winchester, VA 22601  
Phone: (540) 722-9080  
service\_us@melnor.com

4029-20.961.03/0607  
© GARDENA Manufacturing GmbH  
D - 89070 Ulm  
http://www.gardena.com