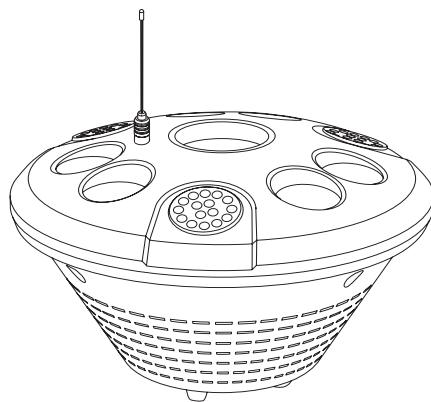


Ambiente 24 S
Art. 7976



Ambiente 48 S
Art. 7977

- D** **Gebrauchsanweisung**
Teichnebler-Set
-
- GB** **Operating Instructions**
Mist Generator Set
-
- F** **Mode d'emploi**
Kit diffuseur de brume
-
- NL** **Gebruiksaanwijzing**
Vijververnevelaar-set
-
- S** **Bruksanvisning**
Dimspridar-set
-
- I** **Istruzioni per l'uso**
Set diffusore di nebbia
-
- E** **Manual de instrucciones**
Kit difusor de bruma
-
- P** **Instruções de utilização**
Conjunto nebulizador
-
- DK** **Brugsanvisning**
Tågespreder

GARDENA Mist Generator Set

Ambiente 24 S / 48 S

Welcome to GARDENA aquamation...



Please read these operating instructions carefully and observe the information they contain. Use these operating instructions to familiarise yourself with the GARDENA Mist Generator Set, their proper use and the notes on safety.



For safety reasons, children under the age of 16 as well as people who are not familiar with these operating instructions must not use this GARDENA Mist Generator Set.

→ Please keep these operating instructions in a safe place.

Contents:

1. Where to use Your GARDENA Mist Generator Set	11
2. Safety instructions	11
3. Initial Operation	12
4. Operation	14
5. Putting into Storage	15
6. Maintenance	15
7. Troubleshooting	15
8. Technical data	18
9. Service / Warranty	18

1. Where to use Your GARDENA Mist Generator Set

Intended Use:

The GARDENA Mist Generator Set is used to create and illuminate mist in garden and patio ponds (minimum water depth = 20 cm). The remote control allows the Mist Generator to be operated from a distance (range approx. 25 m).

Please note:



The remote control must be protected from moisture. The remote control should only be used to activate the GARDENA Mist Generator.

2. Safety instructions

Electrical safety:



DANGER!
Electric shock!

Danger to life when the Mist Generator is connected to 230 V AC (mains supply).

→ Only connect the Mist Generator to the 24 V transformer provided.



WARNING!
Risk of injury!

In operation the membranes emit ultrasonic shock waves. These shock waves may resemble an electric shock.

→ During operation do not move closer than approx. 2 cm to the membranes.

Before using the system, visually check to see that the Mist Generator, the cable and of the transformer are undamaged. A system with damaged components must not be used. If there is any damage, GARDENA Service or a qualified electrician must check the product.

The transformer mains cable cannot be replaced if damaged.

The information on the model plate of the transformer must match the mains power supply.

Use only original GARDENA spare parts, otherwise correct operation cannot be guaranteed.

Never carry the Mist Generator or transformer by the cable. Do not pull on the cable to unplug the plug from the socket.

Protect the cable from heat, oil and sharp edges.

For storage, when out of use and before maintenance work, unplug it from the mains.

For safety reasons each Mist Generator may only be fed by the transformer intended for it. Two transformers must not be connected in parallel.

Do not expose the transformer to direct sunlight.

The transformer must be operated via a fault current circuitbreaker (FI-switch) with a nominal fault current ≤ 30 mA (DIN VDE 0100-702).

→ If in doubt please consult a qualified electrician.

The transformer is approved for outdoor use.

Do not expose the transformer to direct rain or mechanical damage.

Information on remote control :

Use of the remote control may cause malfunctions in the operation of electronic prostheses (pacemakers, hearing aids, insulin pumps, etc.).

→ Consult your doctor about this.

Other 433 MHz devices (e.g. garage door openers) or other remote control units (e.g. belonging to neighbours) do not affect each other as long as the distance to such systems is sufficiently large.

If the transmission range of the remote control is greatly reduced, the battery needs to be changed.

A poor radio link between the remote control and the Mist Generator may greatly reduce battery life.

Only a 12V 23A battery type L1028 should be used for reasons of operational reliability.

→ Observe polarity (+/-).

Safety information :



DANGER!

Risk of injury!

Fragments of the membranes may cause cuts.

→ **Handle broken membranes with care.**

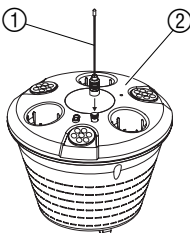
For Switzerland :

In Switzerland, mobile appliances which are used outdoors must be connected via a fault current circuit-breaker.

3. Initial Operation

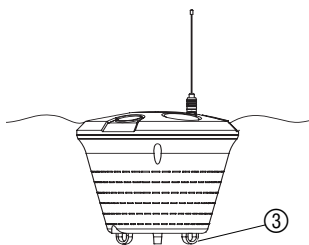
Fit antenna :

→ Screw antenna ① onto Mist Generator ②.



Start up Mist Generator:

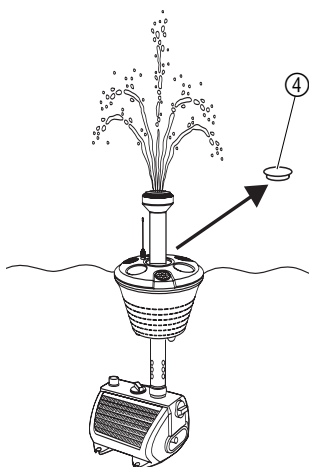
→ Place Mist Generator in water. (The Mist Generator can be fixed in place with the 3 lugs ③ using cords at the edge of the pond.)



Starting up Mist Generator under a water feature:

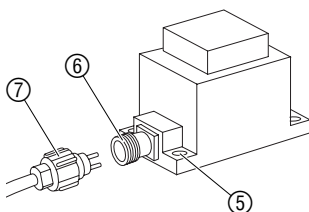
For special light and mist effects the Mist Generator can also be installed under a water feature.

1. Remove cover ④.
2. Position the Mist Generator in the water over the water feature pipe. If necessary, unscrew the water feature nozzle.
3. Connect Mist Generator to transformer (see below).
4. Adjust the water feature so that the water exiting does not directly strike the mist membranes (impairment of Mist Generator effect).



Connect Mist Generator to transformer:

1. Set up transformer at a dry location protected from flooding (The transformer can be screwed to a firm base using the holes ⑤ (∅ 4 mm)).

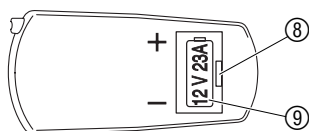


2. Fit the connecting cable of the Mist Generator to the transformer connection ⑥ and screw the sleeve nut ⑦ onto the connection ⑥.

3. Switch on Mist Generator:
See 4. Operation “Log on remote control to Mist Generator”.

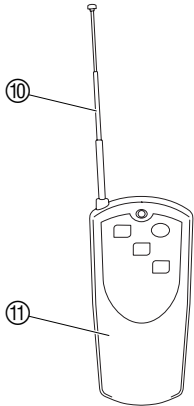
Insert battery in remote control:

1. Open battery cover ⑧.
2. Insert 12 V battery supplied ⑨ (23A type L 1028) (ensure correct polarity).
3. Close battery cover ⑧ again.



4. Operation

Log on remote control to Mist Generator:



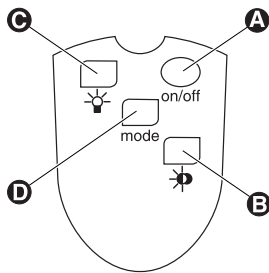
The remote control must be logged on to the Mist Generator when using for the first time.

The battery must be inserted in the remote control (see 3. Initial Operation "Insert battery in remote control").

1. Pull out antenna ⑩ of remote control ⑪.
2. Insert power plug of transformer in a 230 V mains socket.
The LEDs on the Mist Generator flash for 20 seconds.
3. Press any button on the remote control within 20 seconds.
The LEDs light up continuously; the remote control is now logged on to the Mist Generator. The button functions of the remote control are not available until 20 seconds later.

Should login fail, remove the power plug and try to log on again.

Assignment of buttons:



Ⓐ On / Off button (on / off):

Pressing the On / Off button switches the Mist Generator on and off.

Ⓑ Sensor button ☾☽:

The Mist Generator is equipped with a dusk sensor that switches the LEDs on automatically when it is getting dark.

Activate dusk sensor Ⓑ:

→ Press Sensor button Ⓑ.
Green LEDs flash for 3 seconds. Sensor is activated. Buttons Ⓒ and Ⓓ only function when it is getting dark.

Deactivate dusk sensor Ⓑ:

→ Press Sensor button Ⓑ.
Red LEDs flash for 3 seconds. Sensor is deactivated. Buttons Ⓒ and Ⓓ function both day and night.

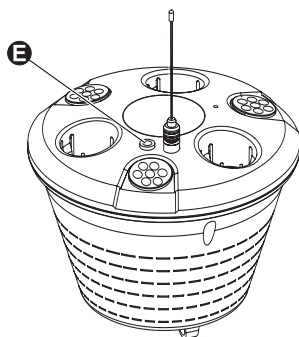
Ⓒ Lighting button ✨:

Pressing the Lighting button allows the lighting of the Mist Generator to be switched on and off depending on activation of the dusk sensor. The lighting can only be switched on when the Mist Generator is switched on.

Ⓓ Light mode button (mode):

The Mist Generator has 5 different light modes. The Light mode button can be used to switch through them one by one.

- green LEDs light up
- red LEDs light up
- blue LEDs light up
- white LEDs light up
- colour change (colour changes every 5 seconds)



Water level sensor:

The Mist Generator is equipped with a water level sensor which automatically switches the Mist Generator off when the mist membranes are not longer covered by sufficient water.

→ Always ensure the water level is sufficient.

5. Putting into Storage

Storage:



Store your Mist Generator Set out of the reach of children.

1. Before frost, remove the generator from the pond and clean (see 6. Maintenance).
2. Store the generator and transformer in a dry location away from frost.
3. When shutting down for lengthy periods remove battery from remote control.

Disposal:

(in accordance with
RL 2002/96/EC)



The product must not be added to normal household waste. It must be disposed of in line with local environmental regulations.

Important!

Only dispose of batteries when they are flat.

→ Return flat batteries to the place you bought them or dispose of them properly at your local recycling / disposal centre.

6. Maintenance



DANGER ! Electric shock !

→ **Before cleaning remove power plug of transformer.**

Clean Mist Generator:

When the mist effect becomes reduced, the Mist Generator needs to be cleaned.

No caustic / abrasive cleaning agents or hard objects should be used.

1. Remove the worst of the dirt with a soft dampened cloth.
2. Soak the Mist Generator in clean water for approx. 1 hour.
3. Switch on Mist Generator for 10 minutes.

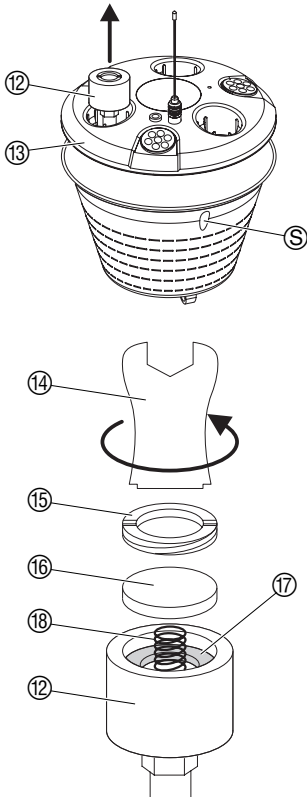
7. Troubleshooting



DANGER ! Electric shock !

→ **Before troubleshooting remove power plug of transformer.**

Replace / clean membrane :



If there is no improvement in the mist effect after cleaning the Mist Generator, the relevant membranes have to be replaced / cleaned.

Only original GARDENA Membranes Art. 7976-00.900.01 should be used. Replacement membranes are available from GARDENA Service on request.

WARNING ! Membranes are fragile !

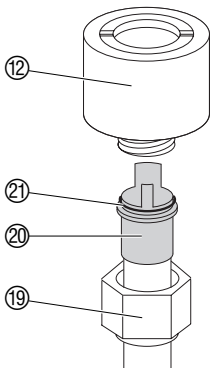
1. Unscrew the 3 screws ⑤ and remove the cover of the mist generator ⑬.
2. Force the membrane unit ⑫ out of the cover ⑬.
3. Place the membrane key ⑭ in the notches on the threaded ring ⑮ and unscrew threaded ring ⑮ anticlockwise.
4. Remove membrane ⑯ (poss. using a little screwdriver). When doing so, do not touch compression spring ⑰.
5. Clean membrane ⑯ with a soft dampened cloth.
6. Insert new / cleaned membrane ⑯ with dark circle facing downwards. When doing so, check correct position of rubber seal ⑱.
7. Screw threaded ring ⑮ back on clockwise by hand using membrane key ⑭ (do not use pliers).
8. Press the membrane unit ⑫ in again **up to the stop under the catch lugs** in cover ⑬.
9. Reposition the cover ⑬ and screw the 3 screws ⑤ back in.



WARNING !

If the membrane unit is not pressed right into the cover of the mist generator ⑬, it will be irreparably damaged in operation !

Replace membrane unit / LED unit :



If a membrane / LED unit no longer functions, the entire unit can be replaced.

Only original GARDENA membrane / LED units should be used. Replacement membranes / LED units are available from GARDENA Service on request.

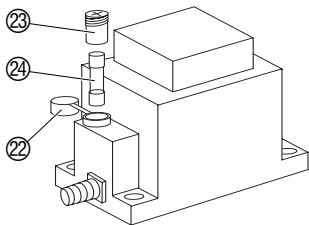
1. Force the membrane / LED unit ⑫ out of the cover of the mist generator ⑬ (see "Replace / clean membrane").
2. Unscrew sleeve nut ⑲.
3. Remove plug ⑳ from unit ⑫.
4. Fit new unit ⑫ in reverse order. When doing so, make sure that the O-ring ㉑ is in the correct position.
(The cables of the mist generator units are black and the cables of the LED units red.)
5. Press the membrane unit ⑫ in again **up to the stop under the catch lugs** in cover ⑬.



WARNING !

If the membrane unit is not pressed right into the cover of the mist generator ⑬, it will be irreparably damaged in operation !

**Only for Ambiente 48 S:
Replace fuse of transformer:**



The following fuse is required:

- Ambiente 48 S (Art. 7977): Ø 5 x 20, 250V, 1,6 A, T

Replacement fuses are available from GARDENA Service on request.

1. Remove fuse cap ②.
2. Unscrew fuse cover ③.
3. Remove fuse ④ and insert a new one.
4. Screw fuse cover ③ back on.
5. Refit fuse cap ②.

Problem	Probable Cause	Remedy
No radio contact	Battery in remote control spent.	→ Replace battery.
	Antenna on remote control not pulled out.	→ Pull out antenna on remote control.
	Antenna not fitted to generator.	→ Fit antenna to generator.
Mist Generator not functioning	Cable not inserted.	→ Insert power plug.
	Defective cable / connection.	→ Remove power plug and check all outgoing connections and cables.
	Water level too low.	→ Ensure water level is sufficient.
	Use of distilled water.	→ Do not use distilled water.
(only for Ambiente 48 S)	Fuse of transformer defective.	→ Replace fuse.
Individual membrane / membrane unit not functioning	Membrane unit not fully inserted in generator.	→ Fully insert membrane unit in generator.
	Membrane unit not correctly inserted.	→ Check / insert plug-in connection to membrane unit.
	Membrane / membrane unit defective.	→ Replace membrane / membrane unit.
Mist effect falls off	Membranes soiled.	→ Clean or replace membranes.



In the event of other faults please contact GARDENA Service. Repairs should only be carried out by GARDENA service centres or dealers authorised by GARDENA.

8. Technical data

	Ambiente 24 S (Art. 7976)	Ambiente 48 S (Art. 7977)
Transformer:		
Mains voltage / mains frequency	230 V AC / 50 Hz	230 V AC / 50 Hz
Nominal output power	105 VA	200 VA
Output voltage	24 V AC	24 V AC
Mains cable	2 m H05-RN-F	2 m H05-RN-F
Mist Generator:		
Mist membranes	3 x 30 W / 24 V AC	6 x 30 W / 24 V AC
Connecting cable length	10 m H03-VV-F	10 m H03-VV-F
Ambient temperature	5 °C – 40 °C	5 °C – 40 °C
Radio frequency	433 MHz	433 MHz
Remote control:		
Battery	12 V 23 A Typ L 1028	12 V 23 A Typ L 1028

9. Service / Warranty

Warranty

GARDENA guarantees this product for 2 years (from date of purchase). This guarantee covers all serious defects of the unit that can be proved to be material or manufacturing faults. Under warranty we will either replace the unit or repair it free of charge if the following conditions apply:


- The unit must have been handled properly and in keeping with the requirements of the operating instructions.
- Neither the purchaser or a non-authorised third party have attempted to repair the unit.

As wear parts the membranes, battery and fuse are not covered by the guarantee.

This manufacturer's guarantee does not affect the user's existing warranty claims against the dealer/seller.

If a fault occurs with your Mist Generator Set, please return the faulty unit together with a copy of the receipt and a description of the fault, with postage paid to one of the GARDENA Service Centres listed on the back of these operating instructions.

<p>D <i>Produkthftung</i></p>	<p>Wir weisen ausdrücklich darauf hin, dass wir nach dem Produkthaftungsgesetz nicht für durch unsere Geräte hervorgerufene Schäden einzustehen haben, sofern diese durch unsachgemäße Reparatur verursacht oder bei einem Teileaustausch nicht unsere Original GARDENA Teile oder von uns freigegebene Teile verwendet werden und die Reparatur nicht vom GARDENA Service oder dem autorisierten Fachmann durchgeführt wird. Entsprechendes gilt für Ergänzungssteile und Zubehör.</p>
<p>GB <i>Product Liability</i></p>	<p>We expressly point out that, in accordance with the product liability law, we are not liable for any damage caused by our products if it is due to improper repair or if parts exchanged are not original GARDENA parts or parts approved by us, and, if the repairs were not carried out by a GARDENA Service Centre or an authorised specialist. The same applies to spare parts and accessories.</p>
<p>F <i>Responsabilité</i></p>	<p>Nous vous signalons expressément que GARDENA n'est pas responsable des dommages causés par ses appareils, dans la mesure où ces dommages seraient causés suite à une réparation non conforme, dans la mesure où, lors d'un échange de pièces, les pièces d'origine GARDENA n'auraient pas été utilisées, ou si la réparation n'a pas été effectuée par le Service Après-Vente GARDENA ou l'un des Centres SAV agréés GARDENA. Ceci est également valable pour tout ajout de pièces et d'accessoires autres que ceux préconisés par GARDENA.</p>
<p>NL <i>Productaansprakelijkheid</i></p>	<p>Wij wijzen er nadrukkelijk op, dat wij op grond van de wet aansprakelijkheid voor producten niet aansprakelijk zijn voor schade ontstaan door onze apparaten, indien deze door onvakkundige reparatie veroorzaakt zijn, of er bij het uitwisselen van onderdelen geen gebruik gemaakt werd van onze originele GARDENA onderdelen of door ons vrijgegeven onderdelen en de reparatie niet door de GARDENA technische dienst of de bevoegde vakman uitgevoerd werd. Ditzelfde geldt voor extra-onderdelen en accessoires.</p>
<p>S <i>Produktansvar</i></p>	<p>Tillverkaren är inte ansvarig för skada som orsakats av produkten om skadan beror på att produkten har reparerats felaktigt eller om, vid reparation eller utbyte, andra än Original GARDENA reservdelar har använts. Samma sak gäller för kompletteringsdelar och tillbehör.</p>
<p>I <i>Responsabilità del prodotto</i></p>	<p>Si rende espressamente noto che, conformemente alla legislazione sulla responsabilità del prodotto, non si risponde di danni causati da nostri articoli se originati da riparazioni eseguite non correttamente o da sostituzioni di parti effettuate con materiale non originale GARDENA o comunque da noi non approvato e, in ogni caso, qualora l'intervento non venga eseguito da un centro assistenza GARDENA o da personale specializzato autorizzato. Lo stesso vale per le parti complementari e gli accessori.</p>
<p>E <i>Responsabilidad de productos</i></p>	<p>Advertimos que conforme a la ley de responsabilidad de productos no nos responsabilizamos de daños causados por nuestros aparatos, siempre y cuando dichos daños hayan sido originados por arreglos o reparaciones indebidas, por recambios con piezas que no sean piezas originales GARDENA o bien piezas autorizadas por nosotros, así como en aquellos casos en que la reparación no haya sido efectuada por un Servicio Técnico GARDENA o por un técnico autorizado. Lo mismo es aplicable para las piezas complementarias y accesorios.</p>
<p>P <i>Responsabilidade sobre o produto</i></p>	<p>Queremos salientar que segundo a lei da responsabilidade do fabricante, nós não nos responsabilizaremos por danos causados pelo nosso equipamento, quando estes ocorram em decorrência de reparações inadequadas ou da substituição de peças por peças não originais da GARDENA, ou peças não autorizadas. A responsabilidade tornar-se-à nula também depois de reparações realizadas por oficinas não autorizadas pela GARDENA. Esta restrição valerá também para peças adicionais e acessórios.</p>
<p>DK <i>Produktansvar</i></p>	<p>Vi gør udtrykkeligt opmærksom på at i henhold til produktansvarsloven er vi ikke ansvarlige for skader forårsaget af vores udstyr, hvis det skyldes uautoriserede reparationer eller hvis dele er skiftet ud og der ikke er anvendt originale GARDENA dele eller dele godkendt af os, eller hvis reparationerne ikke er udført af GARDENA-service eller en autoriseret fagmand. Det samme gælder for ekstra udstyr og tilbehør.</p>

<p>D EU-Konformitätserklärung Maschinenverordnung (9. GSGVO) / EMVG / Niedersp. RL Der Unterzeichnete GARDENA Manufacturing GmbH, Hans-Lorenser-Str. 40, D-89079 Ulm, bestätigt, dass die nachfolgend bezeichneten Geräte in der von uns in Verkehr gebrachten Ausführung die Anforderungen der harmonisierten EU-Richtlinien, EU-Sicherheitsstandards und produktspezifischen Standards erfüllen. Bei einer nicht mit uns abgestimmten Änderung der Geräte verliert diese Erklärung ihre Gültigkeit.</p>	Bezeichnung des Gerätes: Teichnebler-Set Description of the product: Mist Generator Set Désignation du matériel : Kit diffuseur de brume Omschrijving van het apparaat: Vijververnevelaar-set Produktbeskrivning: Dimspridar-set Descrizione del prodotto: Set diffusore di nebbia Descripción de la mercancía: Kit difusor de bruma Descrição do aparelho: Conjunto nebulizador Beskrivelse af enhederne: Tågespreder
<p>GB EU Certificate of Conformity The undersigned GARDENA Manufacturing GmbH, Hans-Lorenser-Str. 40, D-89079 Ulm, hereby certifies that, when leaving our factory, the units indicated below are in accordance with the harmonised EU guidelines, EU standards of safety and product specific standards. This certificate becomes void if the products are modified without our approval.</p>	Typ: Art.-Nr.: Type: Art. No.: Type : Référence : Typ: Ambiente 24 S Art. nr.: 7976 Type: Art.nr. : Modello: Ambiente 48 S Art. : 7977 Tipo: Art. Nº: Tipo: Art. Nº: Type: Varenr. :
<p>F Certificat de conformité aux directives européennes Le constructeur, soussigné : GARDENA Manufacturing GmbH, Hans-Lorenser-Str. 40, D-89079 Ulm, déclare qu'à la sortie de ses usines le matériel neuf désigné ci-dessous était conforme aux prescriptions des directives européennes énoncées ci-après et conforme aux règles de sécurité et autres règles qui lui sont applicables dans le cadre de l'Union européenne. Toute modification portée sur ce produit sans l'accord express de GARDENA supprime la validité de ce certificat.</p>	EU-Richtlinien: Harmonisierte EN: EU directives: ETS 300683 Directives EN 300220-1 européennes : 89/336/EC EN 60669-2-1 EU-richtlijnen: 73/23/EC EN 60669-2-2 EU direktiv: 93/68/EC Direttive UE: 1999/5/EC Nebler: Normativa UE: EN 60335-1 Directizas da UE: EU Retningslinier: Trafo: EN 61558-1 EN 61558-2-6 EN 55014 EN 55022 EN 61000-3-2 EN 61000-3-3 EN 61000-6-2
<p>NL EU-overeenstemmingsverklaring Ondergetekende GARDENA Manufacturing GmbH, Hans-Lorenser-Str. 40, D-89079 Ulm, bevestigt, dat de volgende genoemde apparaten in de door ons in de handel gebrachte uitvoering voldoen aan de eis van, en in overeenstemming zijn met de EU-richtlijnen, de EU-veiligheidsstandaard en de voor het product specifieke standaard. Bij een niet met ons afgestemde verandering aan de apparaten verliest deze verklaring haar geldigheid.</p>	
<p>S EU Tillverkarintyg Undertecknad firma GARDENA Manufacturing GmbH, Hans-Lorenser-Str. 40, D-89079 Ulm, intygar härmed att nedan nämnda produkter överensstämmer med EU:s direktiv, EU:s säkerhetsstandard och produktspecifikation. Detta intyg upphör att gälla om produkten ändras utan vårt tillstånd.</p>	
<p>I Dichiarazione di conformità alle norme UE La sottoscritta GARDENA Manufacturing GmbH, Hans-Lorenser-Str. 40, D-89079 Ulm, certifica che il prodotto qui di seguito indicato, nei modelli da noi commercializzati, è conforme alle direttive armonizzate UE nonché agli standard di sicurezza e agli standard specifici di prodotto. Qualunque modifica apportata al prodotto senza nostra specifica autorizzazione invalida la presente dichiarazione.</p>	Hinterlegte Dokumentation: Konformitätsbewertungsverfahren: GARDENA - Nach 2000/14EG Technische Dokumentation Art. 14 Anhang VI Anbringungsjahr der CE-Kennzeichnung: Year of CE marking: Date d'apposition du marquage CE : Installatiejaar van de CE-aanduiding: CE-Märkningsår: 2006 Anno di rilascio della certificazione CE: Colocación del distintivo CE: Ano de marcação pela CE: CE-Mærkningsår:
<p>E Declaración de conformidad de la UE El que suscribe GARDENA Manufacturing GmbH, Hans-Lorenser-Str. 40, D-89079 Ulm, declara que la presente mercancía, objeto de la presente declaración, cumple con todas las normas de la UE, en lo que a normas técnicas, de homologación y de seguridad se refiere. En caso de realizar cualquier modificación en la presente mercancía sin nuestra previa autorización, esta declaración pierde su validez.</p>	
<p>P Certificado de conformidad da UE Os abaixo mencionados GARDENA Manufacturing GmbH, Hans-Lorenser-Str. 40, D-89079 Ulm, por este meio certificam que ao sair da fábrica o aparelho abaixo mencionado está de acordo com as diretrizes harmonizadas da UE, padrões de segurança e de produtos específicos. Este certificado ficará nulo se a unidade for modificada sem a nossa aprovação.</p>	 Peter Lameli Ulm, den 01.05.2006 Ulm, 01.05.2006 Fait à Ulm, le 01.05.2006 Ulm, 01-05-2006 Ulm, 2006.05.01 Ulm, 01.05.2006 Ulm, 01.05.2006 Ulm, 01.05.2006 Ulm, 01.05.2006 Ulm, 01.05.2006 Ulm, 01.05.2006 Ulm, 01.05.2006 Technische Leitung Technical Dept. Manager Direction technique Hoofd technische dienst Technical Director Direzione Tecnica Dirección Técnica Director Técnico Teknisk direktør
<p>DK EU Overensstemmelse certificat Undertegnede GARDENA Manufacturing GmbH, Hans-Lorenser-Str. 40, D-89079 Ulm bekræfter hermed, at enheder listet herunder, ved afsendelse fra fabrikken, er i overensstemmelse med harmoniserede EU retningslinier, EU sikkerhedsstandarder og produktspecifikationsstandarder. Dette certifikat træder ud af kraft hvis enhederne er ændret uden vor godkendelse.</p>	

Deutschland / Germany

GARDENA
Manufacturing GmbH
Service Center
Hans-Lorenser-Straße 40
D-89079 Ulm
Produktfragen:
(+49) 731 490-123
Reparaturen:
(+49) 731 490-290
service@gardena.com

Argentina

Argensem® S.A.
Calle Colonia Japonesa s/n
(1625) Loma Verde
Escobar, Buenos Aires
Phone: (+54) 34 88 49 40 40
info@argensem.com.ar

Australia

Nylex Consumer Products
50-70 Stanley Drive
Somerton, Victoria, 3062
Phone: (+61) 1800 658 276
spare.parts@nylex.com.au

Austria / Österreich

GARDENA
Österreich Ges.m.b.H.
Stettnerweg 11-15
2100 Korneuburg
Tel.: (+43) 22 62 7 45 45 36
kundendienst@gardena.at

Belgium

GARDENA Belgium NV/SA
Sterrebeekstraat 163
1930 Zaventem
Phone: (+32) 2 7 20 92 12
Mail: info@gardena.be

Brazil

Palash Comércio e
Importação Ltda.
Rua Américo Brasiliense,
2414 - Chácara Sto Antonio
São Paulo - SP - Brasil -
CEP 04715-005
Phone: (+55) 11 5181-0909
eduardo@palash.com.br

Bulgaria

DENEX LTD.
2 Luis Ahalier Str. - 7th floor
Sofia 1404
Phone: (+359) 2 958 18 21
office@denex-bg.com

Canada

GARDENA Canada Ltd.
100 Summerlea Road
Brampton, Ontario L6T 4X3
Phone: (+1) 905 792 93 30
info@gardenacanada.com

Chile

Antonio Martinic y Cia Ltda.
Cassillas 272
Centro de Cassillas
Santiago de Chile
Phone: (+56) 2 20 10 708
garfar_cl@yahoo.com

Costa Rica

Compania Exim
Euroberoamericana S.A.
Los Colegios, Moravia,
200 metros al Sur del Colegio
Saint Francis - San José
Phone: (+506) 297 68 83
exim_euro@racsa.co.cr

Croatia

KLIS d.o.o.
Stanciceva 79
10419 Vukovina
Phone: (+385) 1 622 777 0
gardena@klis-trgovina.hr

Cyprus

FARMOKIPIKI LTD
P.O. Box 7098
74, Digeni Akritra Ave.
1641 Nicosia
Phone: (+357) 22 75 47 62
condam@spidernet.com.cy

Czech Republic

GARDENA spol. s r.o.
Řípská 20a, č.p. 1153
627 00 Brno
Phone: (+420) 800 100 425
gardena@gardenabrn.cz

Denmark

GARDENA Norden AB
Salgsafdeling Danmark
Box 9003
S-200 39 Malmö
info@gardena.dk

Finland

Habitec Oy
Martinkyläntie 52
01720 Vantaa

France

GARDENA
PARIS NORD 2
69, rue de la Belle Etoile
BP 57080
ROISSY EN FRANCE
95948 ROISSY CDG CEDEX
Tél. (+33) 0826 101 455
service.consommateurs@
gardena.fr

Great Britain

GARDENA UK Ltd.
27-28 Brenkley Way
Bleazard Business Park
Seaton Burn
Newcastle upon Tyne
NE13 6DS
info@gardena.co.uk

Greece

Agrokrip
Psomadopoulos S.A.
Ifaistou 33A
Industrial Area Koropi
194 00 Athens Greece
V.A.T. EL093474846
Phone: (+30) 210 66 20 225
service@agrokrip.gr

Hungary

GARDENA
Magyarország Kft.
Késmárk utca 22
1158 Budapest
Phone: (+36) 80 20 40 33
gardena@gardena.hu

Iceland

Ó. Johnson & Kaaber
Tunguhalsi 1
110 Reykjavik
oaj@ojk.is

Ireland

Michael McLoughlin & Sons
Hardware Limited
Long Mile Road
Dublin 12

Italy

GARDENA Italia S.p.A.
Via Donizetti 22
20020 Lainate (Mi)
Phone: (+39) 02.93.94.71
info@gardenaitalia.it

Japan

KAKUICHI Co. Ltd.
Sumitomo Realty &
Development Kojimachi
BLDG., 8F
5-1 Nibannayo, Chiyoda-ku
Tokyo 102-0084
Phone: (+81) 33 264 4721
m_ishihara@kaku-ichi.co.jp

Luxembourg

Magasins Jules Neuberg
Grand Rue 30
Boîte postale 12
L-2010 Luxembourg
Phone: (+352) 40 14 01
info@neuberg.lu

Netherlands

GARDENA Nederland B.V.
Postbus 50176
1305 AD ALMERE
Phone: (+31) 36 521 00 00
info@gardena.nl

Neth. Antilles

Jonka Enterprises N.V.
Sta. Rosa Weg 196
P.O. Box 8200
Curaçao
Phone: (+599) 9 767 66 55
pgm@jonka.com

New Zealand

NYLEX New Zealand Limited
Building 2, 118 Savill Drive
Mangere, Auckland
Phone: (+64) 9 270 1806
lena.chapman@nylex.com.au

Norway

GARDENA Norden AB
Salgskontor Norge
Karihaugveien 89
1086 Oslo
info@gardena.no

Poland

GARDENA Polska Sp. z o.o.
Szymanów 9 d
05-532 Baniocha
Phone: (+48) 22 727 56 90
gardena@gardena.pl

Portugal

GARDENA Portugal Lda.
Recta da Granja do Marquês
Edif. GARDENA Algueirão
2725-596 Mem Martins
Phone: (+351) 21 922 85 30
info@gardena.pt

Romania

MADEX INTERNATIONAL SRL
Soseaua Odaii 117-123,
Sector 1,
București, RO 013603
Phone: (+40) 21 352 76 03
madex@ines.ro

Russia / Россия

ООО ГАРДЕНА РУС
123007, г. Москва
Хорошевское шоссе, д. 32А
Тел.: (+7) 495 247 25 10
info@gardena-rus.ru

Singapore

Hy - Ray PRIVATE LIMITED
40 Jalan Pemimpin
#02-08 Tat Ann Building
Singapore 577185
Phone: (+65) 6253 2277
hyray@singnet.com.sg

Slovak Republic

GARDENA Slovensko, s.r.o.
Panónska cesta 17
851 04 Bratislava
Phone: (+421) 263 453 722
info@gardena.sk

Slovenia

GARDENA d.o.o.
Brodišče 15
1236 Trzin
Phone: (+386) 1 580 93 32
servis@gardena.si

South Africa

GARDENA
South Africa (Pty.) Ltd.
P.O. Box 11534
Vorna Valley 1686
Phone: (+27) 11 315 02 23
sales@gardena.co.za

Spain

GARDENA IBÉRICA S.L.U.
C/ Basauri, nº 6
La Florida
28023 Madrid
Phone: (+34) 91 708 05 00
atencioncliente@gardena.es

Sweden

GARDENA Norden AB
Försäljningskontor Sverige
Box 9003
200 39 Malmö
info@gardena.se

Switzerland / Schweiz

GARDENA (Schweiz) AG
Bitzberg 1
1814 Bachenbülach
Phone: (+41) 848 800 464
info@gardena.ch

Turkey

GARDENA / Dost Diş Ticaret
Müessesilik A.Ş. Sanayi
Çad. Adil Sokak No. 1
Kartal - İstanbul
Phone: (+90) 216 38 93 939
info@gardena-dost.com.tr

Ukraine / Украина

ALTEST JSC
4 Petropavlivska Street
Petropavlivska
Borschahivka Town
Kyivo Svyatoshyn Region
08130, Ukraine
Phone: (+380) 44 459 57 03
upryr@altsest.kiev.ua

USA

Melnor Inc.
3085 Shawnee Drive
Winchester, VA 22604
Phone: (+1) 540 722-9080
service_us@melnor.com

7976-20.960.02 / 0906

© GARDENA

Manufacturing GmbH
D-89070 Ulm

http://www.gardena.com