

Art. 7784
Art. 7785

D	Gebrauchsanweisung Balkon-/Terrassenteich
GB	Operating Instructions Balcony / Terrace Pond
F	Mode d'emploi Bassin pour balcons et terrasses
NL	Gebruiksaanwijzing Balkon-/terrasvijver
S	Bruksanvisning Balkong-/Terrassdamm
I	Istruzioni per l'uso Set laghetto da terrazzo
E	Manual de instrucciones Estanque para balcones y terrazas
P	Instruções de operação Lago para balcões/terraços
DK	Brugsanvisning Altan- / terrassebassin

GARDENA Balcony / Terrace Pond BTP 600 / BTP 800

Welcome to GARDENA aquamation ...

Please note:

Part I: Instructions for installing the Balcony / Terrace Pond
Part II: Operating Instructions for WP 300 Pump

I. Installation



Please read carefully these instructions for installing, assembling and operating your Balcony / Terrace Pond.

This Balcony / Terrace Pond has been designed for indoor and outdoor use.

Checking Package is Complete

The package contains the following parts

**Balcony / Terrace Pond BTP 600,
Art. No. 7784**

1 Pond mould (hexagonal)
6 Pond bases
6 Aluminium pipes
1 Centre prop
6 Plastic panels
24 Coach springs
1 Plastic plug for sealing the planting shelf
1 WP 300 Indoor fountain pump
(including water jet)

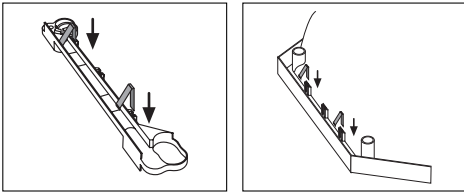
**Balcony / Terrace Pond BTP 800,
Art. No. 7785**

1 Pond mould (octagonal)
8 Pond bases
8 Aluminium pipes
1 Centre prop
8 Plastic panels
32 Coach springs
1 Plastic plug for sealing the planting shelf
1 WP 300 Indoor fountain pump
(including water jet)

Available Accessories

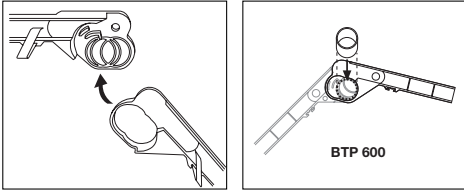
- GARDENA Underwater lights, Art. No. 7951 (self-assembly: 2 units)
- GARDENA Indoor fountain lamp, Art. No. 7841
(self-assembly: 3 units)
- GARDENA Zeolite, 1 l: Art. No. 7914,
5 l: Art. No. 7915.
- GARDENA Holiday Watering System, Art. No. 1265 or 1266,
for the planting shelf.

Installation and Operation



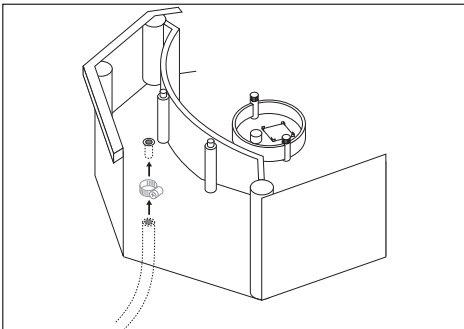
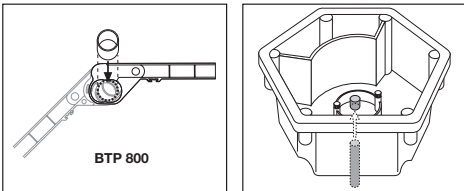
Step 1

- Press two coach springs on each side of the pond mould into the slots as well as into the pond bases.



Step 2

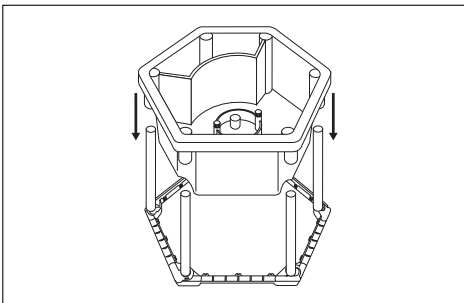
- Assemble the pond bases so that they form a hexagon or octagon.
- Push the aluminium tubes vertically into the corners of the bottom part of the pond.
- Push the centre prop into the pond mould from the bottom.



Step 3 – Setting up the pond outdoors

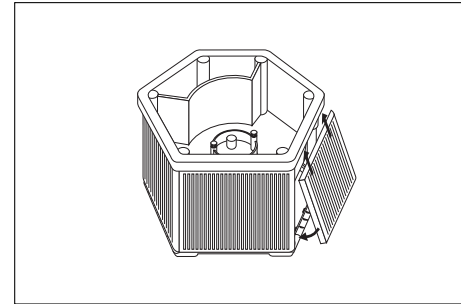
If you set up the Balcony/Terrace Pond outdoors, you can use a hose-pipe to drain the planting shelf.
(→ this prevents unwanted dirty stored water or rainwater flooding the terrace):

1. Remove the sealing plug of the planting shelf.
2. Push a 13 mm (1/2")-hose from the bottom onto the drainage joint and attach it with a hose-clamp (e.g. GARDENA hose-clamp, Art. No. 7190).



Step 4

Place the pond shell on top of the base. Press down the pond shell so that the aluminium poles are pushed all the way into the receptacles of the pond shell.



Step 5

- Now fit the plastic side panels. Tilt the panel and insert the top edge. Then fit the bottom edge of the panel. Make sure the rounded edge of each panel is always on the left.
- Adjust the panel to a vertical position and push it downwards.
- Do the same with the remaining panels.

Note: → for outdoor use:

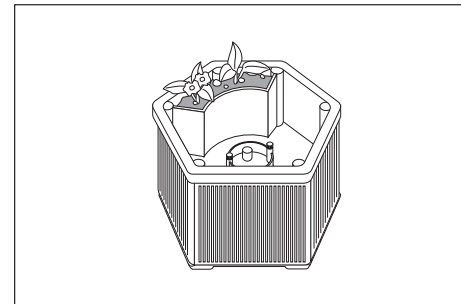
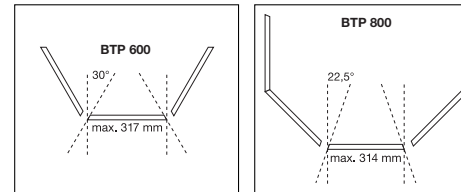
Take a knife and if necessary, cut a hole in the back of a panel to put in your drainage hose and place the panel in your preferred position.

Note:

For a more personal touch, you can use tiles or wooden panels instead of the plastic panels. The maximum size is 30 cm x 30 cm and the minimum size is 29.5 cm x 29.5 cm. The maximum thickness is 15 mm.

→ Tip: To ensure a snug fit at the corners, use larger tiles cut as shown in the diagram. The correct height is 30 cm.

→ If 10 cm wooden slats are used, then the requisite matching additional coach springs are available from GARDENA Customer Services → two coach springs are required per slat.)



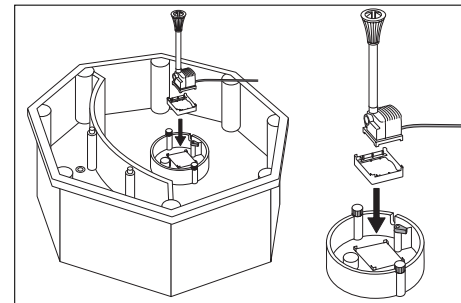
Step 6

Position the Balcony/Terrace Pond according to individual taste:
e.g., either on your balcony or your patio or in your conservatory.

Step 7

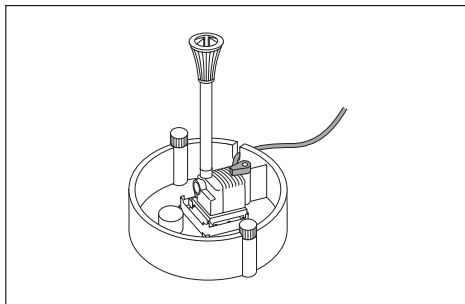
Plant the shelf supplied according to individual taste.
→ see paragraph "Plants".

If plant soil falls into the pond mould, it must be removed with water before the pond is filled.



Step 8

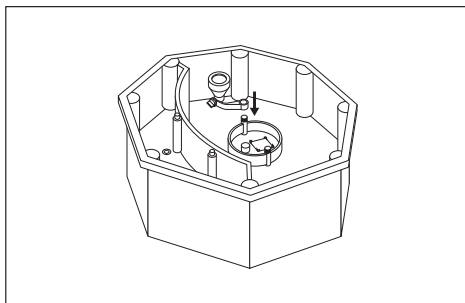
- Insert the frame with the narrower side facing the planted area.
- Position the Indoor Fountain Pump WP 300 onto the bracket in the centre of the indoor fountain shell so that the mains cable fits into the opening.

**Step 9**

- Turn the locking lever clockwise over the pump.

Note:

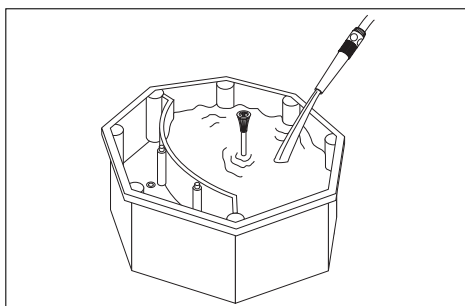
1. Please read part II – Operating Instructions for the WP 300 Pump and follow the instructions carefully!
2. Do not start operating the pump before the pond mould is filled with water!

**Step 10**

- If necessary push two GARDENA Underwater Lights, Art. No.7951, onto the domes.
- If necessary fix up to 3 GARDENA Indoor Fountain Lamps, Art. No. 7841, to the planting shelf.

Note:

- Please read the attached operating instructions for the underwater lights or lamps and follow the instructions carefully.

**Step 11**

- Fill your pond with water.
 - Minimum: the pump must be completely submerged in water
 - Maximum: up to 2 cm below the upper edge of the pond
- if necessary you may fill the area around the pump with e.g. GARDENA Zeolite, 1 l: Art. No. 7914, 5 l: Art. No. 7915. The maximum filling weight or the weight of the stones is 10 kg for the GARDENA Balcony/Terrace Pond BTP 600 and 20 kg for the GARDENA Balcony/Terrace Pond BTP 800.

Plants (Recommendations)

→ Indoors

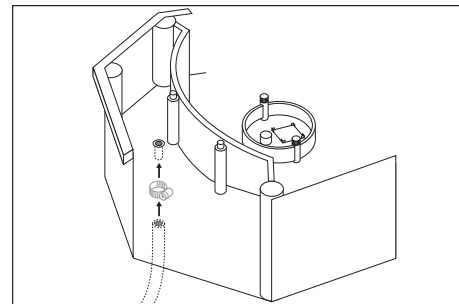
Recommended plants

- for indoors we recommend that you use house plants (e.g. slow-growing leaf plants).
- First, fill the planting shelf with a layer of hydroponics (clay pellets) for draining. (Clay pellets absorb excess water.)
- Then use topsoil to fill up, and put in your plants. (The best thing is to consult a professional gardener.)

Note:

Make sure that you do not over-water your plants.

→ Outdoors

**Open drainage outlet in the planting shelf**

- Pull out the sealing plug.
- Before assembling your Balcony/Terrace Pond push a 13 mm (½")-hose onto the drainage joint and fix it with a hose clamp
- Position the hose in a way that unwanted dirty water or rainwater does not flood the terrace.
- Put, for example, a piece of clay or a stone onto the outlet before you fill the planting shelf with soil.

Note:

Make sure the outlet is not completely blocked.

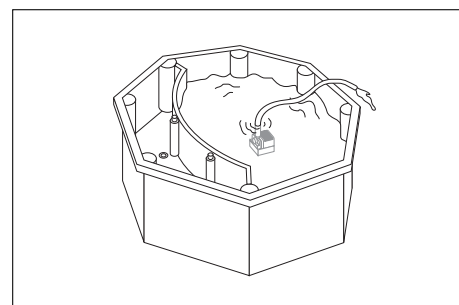
Recommended plants:

- First, fill the planting shelf with a layer of hydroponics (clay pellets) for drainage.
- Then top it up with topsoil and put in your plants. The most suitable plants are herbaceous perennials of different colour which are cut back in spring. (Or consult a professional gardener.)

Note:

- Protect your plants from excess heat in summer. We recommend using the GARDENA Holiday Watering System, Art. No.1265 or 1266.

During the Winter

**Empty the pond**

- Using the pump, drain as much water as possible: first, remove the water jet from the pump and push a 13 mm (½")-hose onto the pressure joint and drain and/or
- Empty the pond mould completely and clean it with a cloth.

Note:

Do not use any hard objects or abrasive detergents.

Outdoor ponds:**→ Storage**

- Remove the lamps and the pump.
- If necessary empty the planting shelf.
- Store the empty pond in a location where it is protected from frost.

II. Operating Instructions for the WP 300 Pump

Welcome to GARDENA aquamotion ...



Please read these operating instructions carefully and observe the notes given. Use the instructions to familiarise yourself with the equipment, the operating controls, their correct use, and the notes on safety.

For safety reasons, children under 16 as well as persons not familiar with these operating instructions should not use this pump.

Keep these operating instructions in a safe place.

The Applications Range of your Pump

Intended purpose

GARDENA Pumps WP 300 have been designed for private use in conjunction with the GARDENA Balcony/Terrace Pond BTP 600 or BTP 800.

Attention



GARDENA Pumps WP 300 are not designed for continuous operation (e.g. industrial application, continuous circulating operation). Corrosive, easily combustible, aggressive or explosive substances (e.g. petrol, petroleum, nitro thinner) as well as salt-water or food/drinking water must not be pumped.

⚠ For your Safety

Operating the Pump

The pump should be operated via a residual current device with a residual current rating of ≤ 30 mA (DIN VDE 0100-702 and 0100-738). The pump must be placed on solid, even ground. Please ask your electrician for his advice.

Mains power cables

Mains power cables should not have a smaller cross-section than a cable of the designation H05 RNF. Extension cables must meet the requirements of DIN VDE 0620.

Visual check

Before operating the pump, look to see if there is any damage of the pump (esp. regarding power cable and plug). A damaged pump must not be used. In case of damage, please have the pump checked by our GARDENA Service Centre or by an authorised electrician.

Check line voltage

Check line voltage. Data indicated on the type plate must match technical data of the mains supply.

Do not operate pump when people are in water

The pump must not be operated when there are people in the water.

Do not use power cable to carry the pump

Do not use the power cable to carry the pump or to pull the plug out of the socket. Protect the power cable from heat, oil and sharp edges.

Disconnect plug

Please unplug the pump after operation and before carrying out any maintenance works.

Temperature of the liquid used

The temperature of the liquid used must not be below 4 °C or above 35 °C.

Wear and reduced output

Sand and other abrasive substances in the liquid cause increased wear and reduce the output of the pump.

Operation

Installing the pump

Before operation submerge the pump in the water. Take care that the pump is positioned in a way that the casing is completely immersed in water.



Caution: Submersion depth

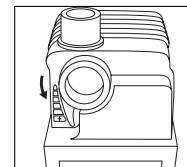
Please note the maximum submersion depth (see "Technical Data").

Switching on the pump

Connect the power cable to a 230 V AC socket.

Caution! Pump will start immediately.

Volume regulator



Adjust the volume according to your needs by turning the volume control. (→ Turning anti-clockwise increases the volume)

Avoid dry operation

Avoid dry operation of the pump as dry running will produce undesirable heat and destroy the pump.

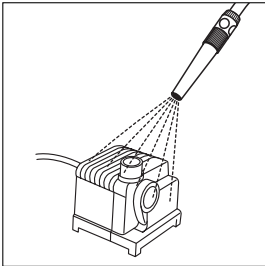
Care instructions

Delivery head too low and/or pump too noisy

Take care that the pump is always completely submerged in water. A lack of water can cause the feed impeller to turn in the wrong direction.

→ Remedy:
Disconnect plug and fill the pump with water. Then plug the power cable in again.

Cleaning the filter



The filter should be completely clean!

How to clean:

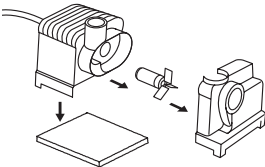
- Pull out the power cable!
- Clean the pump and the filter with a water jet.
- Dismantle (and re-assemble afterwards) casing fittings and clean the fittings inside carefully with water as described in the paragraph "Dismantling".

Information: Do not use any hard objects or strong detergents!

Blocked feed impeller

If the feed impeller becomes blocked, the pump should be cleaned (see paragraph on "dismantling").

Dismantling



- Disconnect the plug!
- Remove the pump from the water.
- Dismantle the casing fittings as follows:
 1. Remove the filter by pulling downwards.
 2. Push away the pump casing from the motor casing at the pressure joint.
 3. Pull the feed impeller out of the motor casing.
 4. If necessary remove the volume control by moving it forwards.
- Afterwards re-assemble the fittings reversing the order and direction in which they were dismantled.

Storage

Where to store



The pump should be stored out of the reach of children.

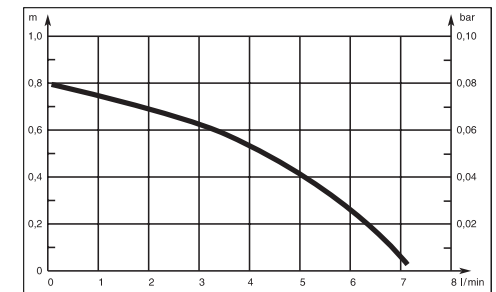


1. Remove the pump from the pond and store away from frost before the first frost sets in.
2. Clean and check the pump carefully.
3. Store the pump in a container filled with water.
The mains plug must not be submerged.

Technical Data

Type	WP 300
Rated power	4.5 W
Power cable	3 m H05 RNF
Fitting	Ø 13 mm
Max. submersion depth	0,4 m
Max. media temperature	35 °C
Mains voltage	230 V
Frequency	50 Hz
Noise level $L_{WA}^{1)}$	48 dB(A)

¹⁾ Measuring method according to EN 60335-1



EU Certificate of Conformity

The undersigned

GARDENA Kress + Kastner GmbH · Hans-Lorensen-Str. 40 · D-89079 Ulm

hereby certifies that, when leaving our factory, the units indicated below are in accordance with the harmonised EU guidelines, EU standards of safety and product specific standards.

This certificate becomes void if the units are modified without our approval.

Description of the units: Indoor Fountain Pump

Types: WP 300

EU directives: Machinery Directive 98/37/EC
Electromagnetic Compatibility 89/336/EC
Low Voltage Directive 73/23/EC
Directive 93/68/EC

Harmonised European standards: EN 292-1
EN 292-2
EN 60335-1
EN 60335-2-41

Year of CE marking: 1999

Ulm, 01.06.1999

Thomas Heintl
Technical Dept. Manager

Trouble-Shooting or Defects

If you have any problems with your GARDENA Balcony/Terrace Pond BTP 600/BTP 800 or with the GARDENA Pump WP 300 please contact our Service or return the defective unit together with a short description of the problem – in case of guarantee, with the warranty card duly completed and signed – postage paid to one of the GARDENA Service Centres listed on the back of this leaflet.

Product liability

We expressly point out that, in accordance with the product liability law, we are not liable for any damage caused by our units if it is due to improper repair or if parts exchanged are not original GARDENA parts or parts approved by us, and, if the repairs were not carried out by a GARDENA Service Centre or an authorised specialist. The same applies to spare parts and accessories.

Guarantee

GARDENA guarantees the Pump for 3 years (from date of purchase). This guarantee covers all serious defects of the unit that can be proved to be material or manufacturing faults. Under warranty we will either replace the unit or repair it free of charge if the following conditions apply:

- The unit must have been handled properly and in keeping with the requirements of the operating instructions. Neither the purchaser nor a non-authorised third party have attempted to repair the unit.

The turbine is a wearing part and is not covered by the warranty.

The manufacturer's guarantee does not affect the user's existing warranty claims against the dealer/seller.

In the event of a fault, please send the defective unit together with the receipt and a description of the fault, postage paid, to one of the GARDENA Service Centres on the back of this page.

We will return your GARDENA Balcony/Terrace Pond and your GARDENA Pump WP 300 free of charge once it has been repaired.

Garantiekarte
Warranty Card
Carte de garantie

GARDENA Balkon-/Terrassenteich/GARDENA Pumpe **BTP 600**
GARDENA Balcony/Patio Pond/GARDENA Pump **BTP 800**
Bassin pour balcons et terrasses GARDENA/
Pompe GARDENA **WP 300**

Garantiekaart
Garantikort
Certificato di garanzia
Tarjeta de garantía
Cartão de garantia
Garantibevis

GARDENA balkon- / terrasvijver / GARDENA pomp
GARDENA Balkong-/Terrassdamm/GARDENA pump

GARDENA Set laghetto da terrazzo/GARDENA pompa

Estanque para balcones y terrazas/GARDENA Bomba

Lago para balcões/terraços da GARDENA/Bomba da GARDENA
Altan- /terrassebassin / GARDENA Springvandspumper

Wurde gekauft am:
Was purchased on:
Achetée le (date et lieu d'achat) :
Werd gekocht op:
Försäljningsdatum:
Data di acquisto:
Se vendió el:
Data da compra:
Købt den:

Händlerstempel
Dealer's stamp/Receipt
Cachet du revendeur
Stempel van de handelaar
Återförsäljarens stämpel
Timbro del rivenditore
Sello del comerciante
Carimbo do vendedor
Forhandlerens stempel

Beanstandung:
Reasons for complaint:
Défaut constaté :
Klacht:
Reklamation:
Difetto riscontrato:
Reclamación:
Motivo de reclamação:
Reklamation:



Service

Deutschland

GARDENA
Kress + Kastner GmbH
GARDENA Service
Hans-Lorenser-Straße 40
D-89079 Ulm
Produktfragen: (07 31) 4 90-1 23
Reparaturen: (07 31) 4 90-2 90

Argentina

Argensem S. A.
Venezuela 1075
(1618) El Talar – Buenos Aires

Australia

NYLEX Corporation Ltd.
25–29 Nepean Highway
P.O. Box 68
Mentone, Victoria 3194

Austria

GARDENA Österreich
Gesellschaft m.b.H.
Stettnerweg 11 – 15
2100 Korneuburg

Belgium

MARKT (Belgium) NV/SA
Sterrebeekstraat 163
1930 Zaventem

Brazil

M. Cassab
Av. das Nações Unidas, 20.882
Santo Amaro, CEP 04795-000
São Paulo – S. P.

Bulgaria / България

ДЕНЕКС ООД
София 1797
Бул. "Г.М.Димитров" 16 ет. 4

Canada

GARDENA Canada Ltd.
100, Summerlea Road
Brampton, Ontario
Canada L6T 4X3

Chile

Antonio Martinic Y CIA. LTDA.
Gilberto Fuenzalida 185 Loc.
Las Condes – Santiago

Costa Rica

Compania Exim
Euroiberoamericana S. A.
350 Sur del Automercado
Los Yoses
San Pedro

Cyprus

FARMOKIPIKI LTD.
P.O. Box 7098
74, Digeni Akrita Ave.
1641 Nicosia

Czech Republic

GARDENA spol. sr. o.
Řípská 20a, č. p. 1153
627 00 Brno

Denmark

GARDENA Danmark A/S
Naverland 8, Box 1462
2600 Glostrup

Finland

Habitec Oy
Martinkyläntie 52
01720 Vantaa

France

GARDENA France
BP 50080
Z.A.C. Paris Nord II
95948 ROISSY C.D.G. Cedex

Great Britain

GARDENA UK Ltd.
27 – 28 Brenkley Way
Bleazard Business Park
Seaton Burn
Newcastle upon Tyne
NE13 6DS

Greece

Agrokip
G. Psomadopoulos & Co.
20, Lykourgou str.
Kallithea
Athens

Hungary

GARDENA Magyarország Kft.
Késmárk utca 22
1158 Budapest

Iceland

Heimilistaeki hf
Saetun 8
P.O. Box 5340
125 Reykjavik

Italy

GARDENA Italia S.r.l.
Via Donizetti 22
20020 Lainate (Mi)

Japan

KAKUDAI Mfg. Co. Ltd.
1-4-4, Itachibori Nishi-ku
Osaka 550

Luxembourg

Magasins Jules Neuberg
Grand Rue 30
Case Postale No. 12
Luxembourg 2010

Netherlands

GARDENA Nederland B. V.
Postbus 50176
1305 AD Almere

Neth. Antilles

Jonka Enterprises N. V.
Sta. Rosa Weg 196
P.O. Box 8200
Curaçao

New Zealand

NYLEX New Zealand
Private Bag 94001
South Auckland Mail Centre
10 Offenhauser Drive
East Tamaki, Manukau

Norway

GARDENA Norge A/S
Postboks 214
2013 Skjjetten

Polen

GARDENA Polska Sp. Z.o.o.
Szymanów 9 d
05-532 Baniocza

Portugal

MARKT (Portugal), Lda.
Recta da Granja do Marquês
Rua de São Pedro
Algueirão
2725-596 Mem Martins

Republic of Ireland

Michael McLoughlin & Sons
Hardware Limited
Long Mile Road
Dublin 12

Russland / Россия

АО АМИДА
ТТЦ
ул. Мосфильмовская 66
117330 Москва

Singapore

Variware
Holland Road Shopping Centre
227-A 1st Fl., Unit 29
Holland Avenue
Singapore 1027

Slowenia / Croatia

Silk d.o.o. Trgovina
Brodišče 15
1236 Trzin

South Africa

GARDENA
South Africa (Pty.) Ltd.
P.O. Box 11534
Vorna Valley 1686

Spain

ANMI Andreu y Miriam S.A.
Calle Pere IV, 111
08018 Barcelona

Sweden

GARDENA Svenska AB
Box 9003
20039 Malmö

Switzerland

GARDENA
Kress + Kastner AG
Bitziberg 1
8184 Bachenbülach

Turkey

Dost Dis Ticaret
Mümessillik A. Ş.
Yeşilbağlar Mah. Başkent
Cad.No. 26
Pendik – Istanbul/Turkey

Ukraine / Украина

АОЗТ АЛЬЦЕСТ
г. Киев 01033
ул. Гайдара 50

USA

GARDENA
3085 Shawnee Drive
Winchester, VA 22604

7784-20.960.07/0011
GARDENA Kress + Kastner GmbH
Postfach 27 47, D-89070 Ulm
<http://www.gardena.com>