



Bodenkrümler BL 7/25 mit Kreiselrechen

Tiller BL 7/25 with rotating rake

Emetteur-aérateur BL 7/25

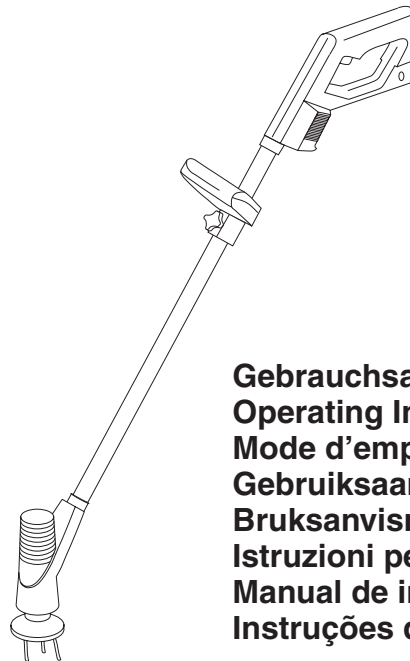
Borderfrees BL 7/25 met roterende hark

Myllare BL 7/25 med roterande kratta

Dissodatore BL 7/25 con disco spianatore

Desmenuzador BL 7/25 con rastrillo rotativo

Cultivador BL 7/25 com ancinho rotativo



**Gebrauchsanweisung**

**Operating Instructions**

**Mode d'emploi**

**Gebruiksaanwijzing**

**Bruksanvisning**

**Istruzioni per l'uso**

**Manual de instrucciones**

**Instruções de manejo**

accu-system **V12**

Beachten Sie die Sicherheitshinweise auf dem Gerät:  
 Please adhere to the following safety instructions on the unit:  
 Veuillez observer les instructions de sécurité figurant sur l'appareil :  
 Houdt u zich aan de veiligheidsvoorschriften op het apparaat:  
 Följ bruksanvisningarna noga:  
 Attenzione ai simboli di sicurezza sull'apparecchio:  
 Observen las indicaciones de seguridad en el aparato:  
 Por favor siga atentamente as instruções de segurança fornecidas no aparelho:



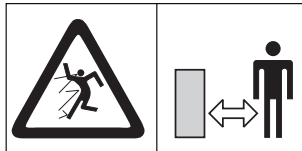
**Achtung! Vor Inbetriebnahme  
 Gebrauchsanweisung lesen!  
 Warning! Read instruction  
 handbook!  
 Attention ! Merci de lire atten-  
 tivement le mode d'emploi  
 avant d'utiliser cet appareil !  
 Let op! Voor ingebruikname  
 gebruiksaanwijzing doorlezen!  
 OBS! Läs igenom bruksanvis-  
 ningarna noga före användning!**

**Attenzione ! Prima di mettere  
 in funzione l'attrezzo, leggere  
 attentamente le istruzioni per  
 l'uso!  
 ¡Atención! Antes de la puesta  
 en marcha, lea el presente  
 manual de instrucciones.  
 Atenção! Leia o Manual de  
 instruções antes de utilizar  
 o aparelho!**



**Vor Regen und Nässe  
 schützen!  
 Do not use in rain or wet  
 conditions!  
 Protégez l'appareil de la pluie  
 et de l'humidité !  
 Stel het apparaat niet bloot  
 aan vocht!  
 Använd inte maskinen i regn  
 eller fuktig miljö!**

**Non esporre l'attrezzo all'umidità  
 o alla pioggia!  
 ¡Proteja el aparato de la lluvia  
 y la humedad!  
 Proteja o aparelho da chuva  
 e da humidade!**



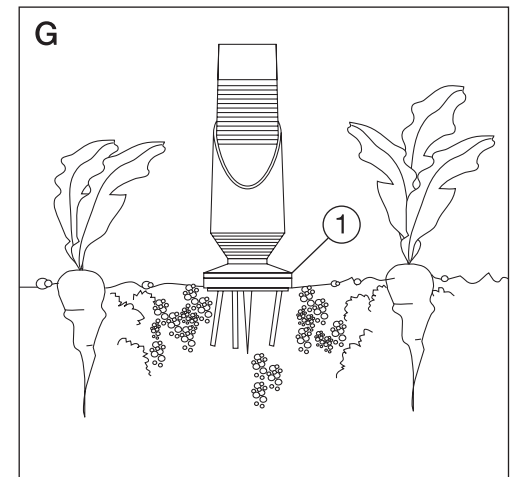
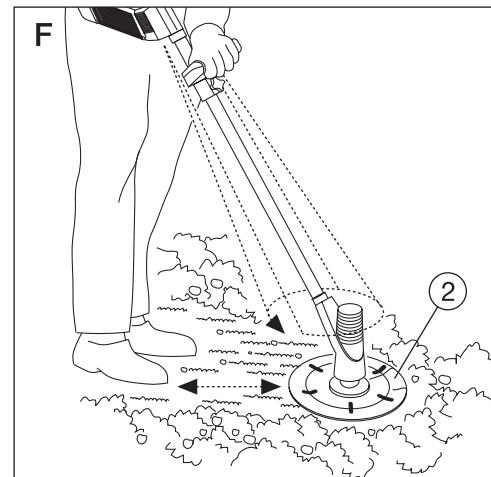
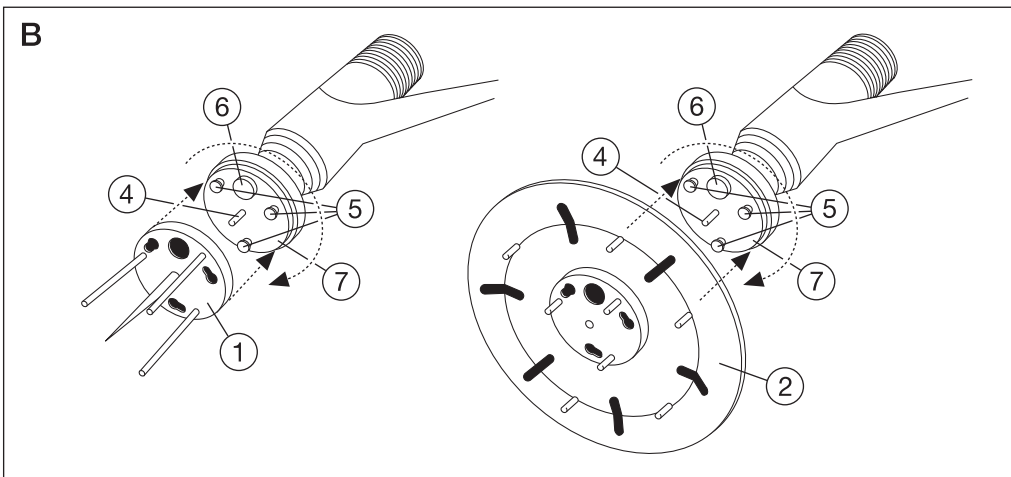
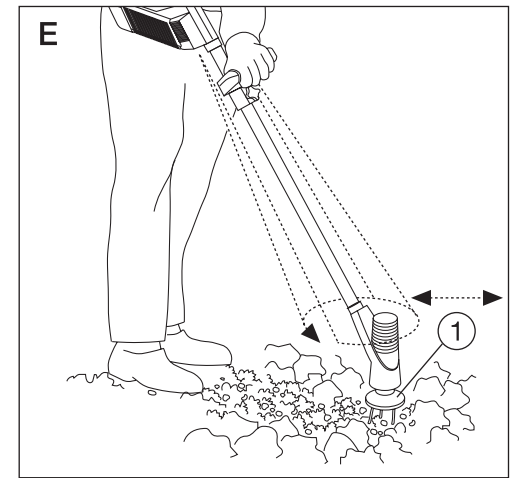
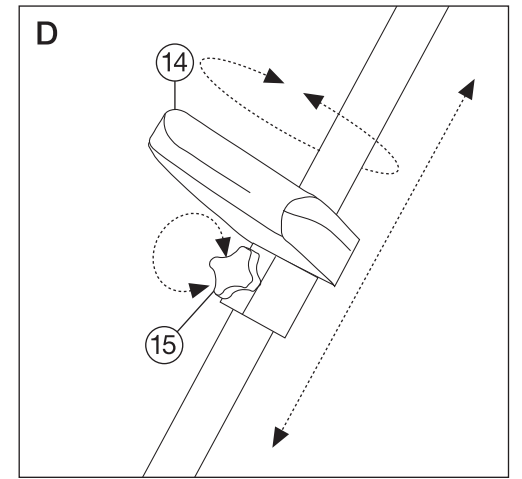
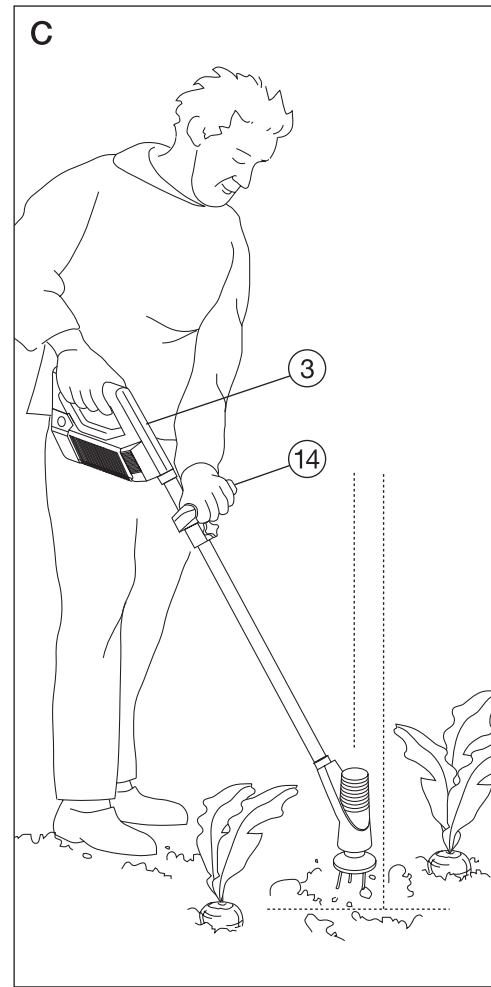
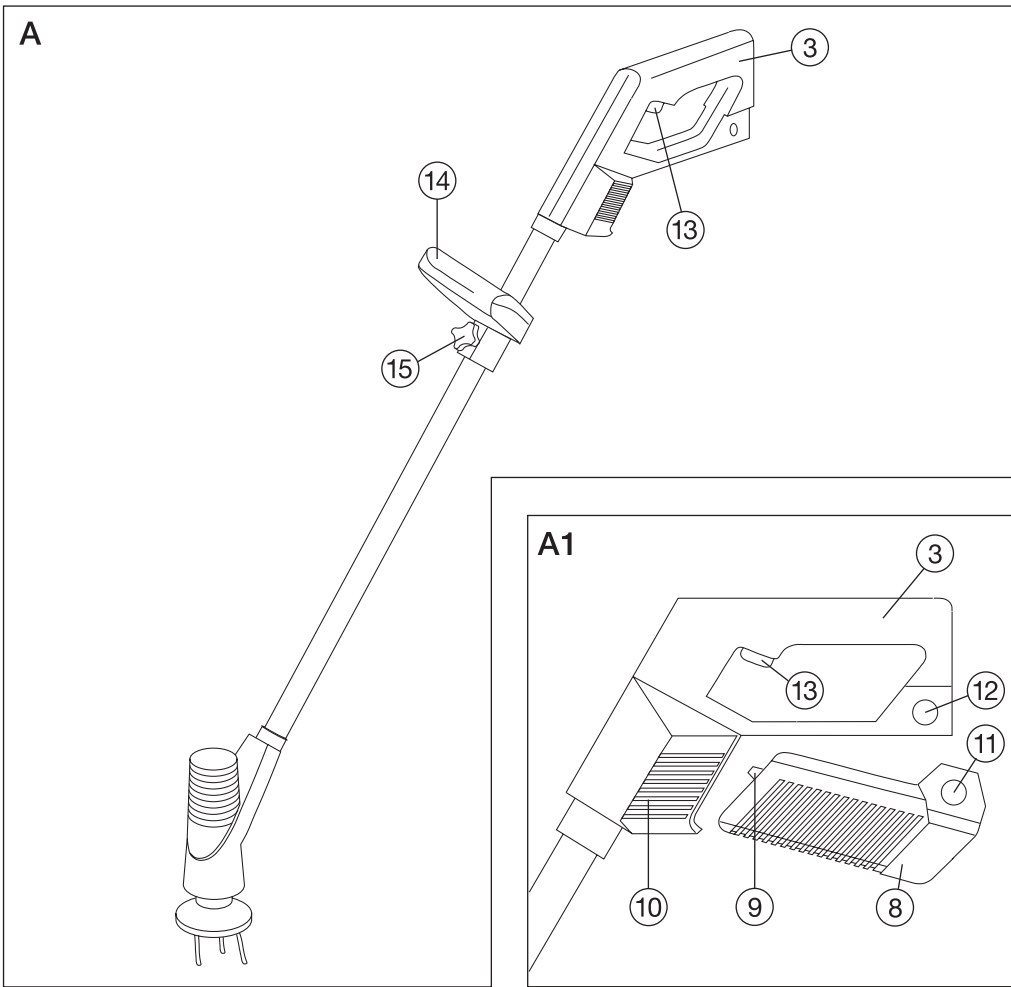
**Dritte aus dem Gefahrenbereich  
 fernhalten!  
 Keep bystanders away!  
 Maintenez tout tiers hors de la  
 zone de travail !  
 Zorg ervoor dat derden buiten  
 de gevarezone blijven!  
 Tillse att inga obehöriga vistas  
 inom arbetsområdet!**

**Tenere lontano i terzi dalla zona  
 di lavoro!  
 ¡Mantenga a terceros fuera del  
 área de trabajo!  
 Mantenha terceiros fora da área  
 de perigo!**



**Umlaufendes Werkzeug!  
 Tool goes behind!  
 L'appareil tourne encore !  
 Apparaat loopt na!  
 Verktyget fortsätter att rotera  
 något efter avstängning.**

**Attenzione ! Pericolo!  
 L'utensile in rotazione può  
 causare lesioni!  
 El aparato en funcionamiento  
 puede causar lesiones.  
 O aparelho depois de desligado  
 ainda levará uns instantes até  
 parar totalmente.**



# GARDENA accu-system V12


## Tiller BL 7/25 with rotating rake

### 1. Technical data

Voltage	V	12 =	
Operation with Accu A 12 or Accu-Pack AP 12	min	approx. 30 - 40	
Working diameter of crumbling head	mm	70	
Working diameter of rotating rake	mm	250	
Rotation speed of accessory tools	rpm	280	
Weight	kg	2.0	
Working area related emission characteristic value $L_{PA}^{1)}$	dB (A)	70	
Noise level $L_{WA}$	dB (A)	81	
Vibrations $a_{vhw}^{1)}$	ms <sup>-2</sup>	<2.5	<sup>1)</sup> Measuring method pursuant to EN 786

### 2. Information regarding the operating instructions

Please read and follow these operating instructions carefully. Familiarise yourself with the unit's features, its proper use and the safety instructions included.

 **For safety reasons children under the age of 16 or people who are not familiar with these operating instructions should not use this Tiller.**

**Please keep these operating instructions in a safe place.**

### 3. Introduction

This unit is part of a comprehensive garden programme from GARDENA, the accu-system V12.

In order to operate this product, you need additional items from the accu-system V12 range:

- |   |   |
|---|---|
| 1. Power supply/accu: accu-system V12 Accu A 12, Art.No. 2109, or accu-system V12 Accu-Pack AP 12, Art.No. 2110 | (for Accu A 12 and Accu-Pack AP 12) or accu-system V12 High-speed Battery Charger SL 60, Art.No. 2100 <b>(only for Accu-Pack AP 12, Art.No. 2110)</b> |
| 2. Battery charger: accu-system V12 Battery Charger NL 12, Art.No. 2105   |   |

### 4. Product use


The GARDENA Tiller BL 7/25 is designed for loosening and leveling smaller cultivated surfaces in private house and hobby gardens.

This Tiller is for private use only and is not designed for use in

public facilities, parks, sporting grounds, roads, agriculture or forestry.

It is essential to observe the manufacturer's operating instructions to ensure the unit's proper functioning. These instructions

also contain advice for service, maintenance and repair.

 **Attention! For safety reasons the unit must not be used for scarifying lawn surfaces.**

### 5. Initial operation (ill. A-G)

#### 5.1 Assembly/changing the accessory tools (ill. A/A1/B)

The Tiller is delivered with two unassembled accessory tools. The crumbling head (1) serves to crumble the upper layer of soil of a cultivated surface. The rotating rake (2) serves to finely level after crumbling.

#### Assembly of an accessory tool

1. Remove the Accu from the unit!
2. Stand the Tiller on the handle (3).
3. Place the accessory tool (crumbling head (1) or rotating rake (2)) onto the three bayonet pins (5) by means of the centre pin (4) and press down. Turn the accessory tool clockwise until the red safety knob (6) snaps in.

#### Changing the accessory tool

1. Remove the Accu from the unit!
2. Stand the Tiller on the handle (3).
3. To unlock and remove the accessory tool (crumbling head or rotating rake), simultaneously press the red safety knob (6) and turn the accessory tool counter clockwise.
4. Assembly as described above.

**Attention! Before assembly or exchanging an accessory tool always clear the head support (7) of possible remaining soil (also refer to point 6. Maintenance / Service / Storage).**

#### 5.2 How to snap-in / remove the Accu (ill. A1)

Insert the Accu (8) with the nipple (9) into the attachment part (10). Snap the Accu (8) and the counterpart (11) over the two orange knobs (12). Listen for an audible snap-in. Release the Accu (8) from the unit by simultaneously pressing the two orange locking knobs (2) on the handle (3) or respectively on the Accu-Pack AP 12. Remove the Accu (8).

#### 5.3 Working position (ill. C)

Just lift the unit by the handle (3) and guide handle (14). The accessory tool is guided vertically over the cultivated surface.


#### 5.4 Adjusting the guide handle to correct working position (ill. D)

By loosening the fastening screw (15) the guide handle (14) can conveniently be adjusted according to user's height and area of use.

#### 5.5 Operation (ill. A1/C-G)

Snap in the Accu (8), as described under 5.2. Switch the unit on by pressing the starting switch (13) on the handle (3). The Tiller automatically switches off when releasing the starting switch (13).

**Hold the Tiller in normal working position before switching on (see ill. C/E/F).**

 **The safety devices installed by the manufacturer must not be removed or by-passed, e. g. by binding the on/off switch to the handle.**

**This will prevent the Tiller switching off automatically, and may cause serious injury.**

**Do not operate the unit with an external power source!**

**Attention! The Tiller will take a while to stop running after the unit is switched off.**

#### 5.6 Working with the Tiller on cultivated surfaces (ill. C/E-G)

##### Crumbling of friable soil conditions (ill. E)

For assembly of the crumbling head (1) see point 5.1. For preparation of a cultivated area with friable conditions in early spring, and for fine crumbling when preparing beds for sowing.

Guide the crumbling head (1) vertically in the soil. To ease the load, start the Tiller just before dipping into the soil surface. A fine crumbling structure of the upper layer of soil is obtained by pulling in circular movements.

##### Levelling of areas with the rotating rake (ill. F)

For assembly of the rotating rake (2) see point 5.1. To level the soil surface, move the rotating rake (2) evenly across the pre-crumbled soil in circular movements.

##### Crumbling between plants (ill. C/G)

For assembly of the crumbling head (1) see point 5.1. The Tiller with crumbling head (1) is especially suitable for fine crumbling and loosening of soil around existing plants.

## 6. Maintenance / service / storage

The GARDENA Tiller requires minimal maintenance.

**Always keep the contacts in the attachment part (10) and on the Accu (8) free of dirt.**

Remaining soil and dirt should be removed with a dry rag or brush. Remaining soil and dirt should be removed after each use.

Repairs may only be carried out by GARDENA Service Centres or dealers authorised by GARDENA.

**⚠ Attention! Always remove the Accu before working on the Tiller (checking, cleaning, maintenance). Risk of injury!**

**To avoid injury to persons and product damage: Never clean the Tiller with running water or with a water jet, in particular a high pressure water jet.**

**Store the Tiller in a dry place where it is protected from frost. The Tiller should be stored out of the reach of children.**

**Observe the manufacturer's assembly hints when attaching or exchanging the accessory tools.**

If you have any problem with your Tiller, please contact our Customer Service or return the defective unit together with a short description of the problem and, if covered under guarantee,

with the warranty card duly completed and signed, directly to one of the GARDENA Service Centres listed on the back of this leaflet.

**We expressly point out that, in accordance with the product liability law, we are not liable for any damage caused by our units if it is due to improper repair or if parts exchanged are not original GARDENA parts or parts approved by us, and, if the repairs were not carried out by a GARDENA Service Centre or an authorised specialist. The same applies to spare parts and accessories.**

## 7. Advice for proper use / safety instructions

**⚠ Inspect the unit before each use**

Before each use, inspect the Tiller. Do not use the Tiller if safety devices (starting switch) and/or accessory tools have been damaged or are worn. Never by-pass safety devices.

Inspect the area to be cultivated before and during work. Remove any obstructions such as stones. During work look out for obstructions.

If, in spite of care, you come into contact with an obstruction whilst cutting, turn off the Tiller and remove it. Check the unit for possible damage and have it repaired, if necessary.

**⚠ Use/responsibility**

This Tiller can cause serious injuries!

Only use the Tiller for the purposes specified in these instructions.

**You are responsible for the safety in the working area.**

Make sure that there are no other people (especially children) or animals within or near the working area.

Never use the Tiller with damaged or defective accessory tools!

After use remove the Accu. The Tiller – especially the accessory tools – must be checked regularly for damages and repaired properly, if necessary.

Wear eye protection or protective glasses!

Wear non-skid shoes and long trousers to protect your legs. Keep hands and feet away from the accessory tools – above all, when starting work.

Ensure that you have secure foothold whilst working. Attention! Take extra care when walking backwards. You may stumble.

Only work when the visibility is good.

**⚠ Interrupting work**

Never leave the Tiller unattended in the working place. If you stop work, store the Tiller in a safe place and remove the Accu.

Should you stop work in order to get to another working place, always switch off the Tiller to go there and remove the Accu.

**⚠ Work place safety**

Make yourself familiar with the surroundings and look out for dangers which you may not detect due to machinery noise.

Never use the Tiller when it is raining or in a damp, wet area.

Do not use the Tiller in or near swimming pools or ponds.

**⚠ Electrical safety / fire risk**

The contacts of the Accu should never be bridged. Danger of short circuit – fire risk!

## EU Certificate of Conformity

The undersigned

GARDENA Kress + Kastner GmbH · Hans-Lorenser-Str. 40 · D-89079 Ulm

hereby certifies that, when leaving our factory, the units indicated below are in accordance with the harmonised EU guidelines, EU standards of safety and product specific standards.

This certificate becomes void if the units are modified without our approval.

**Description of the unit:**  
accu-system V12 Tiller

**Type:** BL 7/25

**Art. No.:** 2190

**EU directives:**  
Machinery Directive 89/392/EC  
mod. 91/368/EC  
Electromagnetic Compatibility  
89/336/EC  
Directive 93/68/EC

**Harmonised European standards:**  
EN 292-1  
EN 292-2

**National standards:**  
DIN VDE 0730-1  
DIN VDE 0730-2ZP

**Year of CE marking:**  
1996

Ulm, 11.11.1996

  
J. Katzer  
Technical Dept. Manager

## D

### Garantie

GARDENA gewährt für dieses Produkt 1 Jahr Garantie (ab Kaufdatum). Diese Garantieleistung bezieht sich auf alle wesentlichen Mängel des Gerätes, die nachweislich auf Material- oder Fabrikationsfehler zurückzuführen sind. Sie erfolgt durch die Ersatzlieferung eines einwandfreien Gerätes oder durch die kostenlose Reparatur des eingesandten Gerätes nach unserer Wahl, wenn folgende Voraussetzungen gewährleistet sind:

- Das Gerät wurde sachgemäß und laut den Empfehlungen in der Gebrauchsanweisung behandelt. Es wurde weder vom Käufer noch von einem Dritten versucht, das Gerät zu reparieren.
- Das Gerät wurde ausreichend frankiert direkt an eine der GARDENA Servicestellen gesandt, unter Beifügung der vollständig ausgefüllten Garantiekarte bzw. des Rechnungsbeleges.

Diese Hersteller-Garantie berührt die gegenüber dem Händler/Verkäufer bestehenden Gewährleistungsansprüche nicht.

**Verschleißteile (z. B. Krümlerkopf; Kieselrechen) sind von der Garantie ausgeschlossen.**

## GB

### Guarantee

GARDENA guarantees this product for 12 months (from date of purchase). This guarantee covers all serious defects of the unit that can be proved to be material or manufacturing faults. Under guarantee we will either replace the unit or repair it free of charge if the following conditions apply:

- The unit must have been handled properly and in keep-

ing with the requirements of the operating instructions. In addition, no attempt at repair by the customer or a non-authorised third party is permitted.

- The unit is returned directly postage paid to a GARDENA Service Centre together with the warranty card duly completed and signed.

This manufacturer's guarantee does not affect the user's existing warranty claims against the dealer/seller.

**Parts subject to wear (e. g. crumbling head; rotating rake) are excluded from this guarantee.**

## F

### Garantie

Pour mieux vous servir, GARDENA accorde pour cet appareil une garantie contractuelle de 1 an à compter du jour de l'achat. Elle est assurée sur décision de GARDENA par le remplacement gratuit des pièces défectueuses ou de l'appareil.

En tout état de cause s'applique la garantie légale couvrant toutes les conséquences des défauts ou vices cachés (article 1641 et suivants du Code Civil).

Pour que ces garanties soient valables, les conditions suivantes doivent être remplies :

- L'appareil a été manipulé de manière adéquate, suivant les instructions du mode d'emploi.
- Il n'y a eu aucun essai de réparation, ni par le client, ni par un tiers.
- L'appareil et la carte de garantie dûment remplies ont été retournés en port payé au Service Après-Vente de GARDENA France.

Une intervention sous garantie ne prolonge pas la durée initiale de la garantie contractuelle.

**Toutes les revendications dépassant le contenu de ce texte ne sont pas couvertes par la garantie, quel que soit le motif de droit.**

**Pendant la période de garantie, le Service Après-Vente effectuera, à titre payant, les réparations nécessaires par suite de manipulations erronées.**

**La garantie ne s'applique pas aux pièces d'usure normale (par ex. aérateur, émetteur).**

## NL

### Garantie

GARDENA geeft op dit product 1 jaar garantie (vanaf de aankoopdatum). Deze garantie heeft betrekking op alle wezenlijke defecten aan het toestel, die aanwijsbaar op materiaal- of fabricagefouten berusten. Garantie vindt plaats door de levering van een vervangend apparaat of door de gratis reparatie van het ingestuurde apparaat, naar onze keuze, indien aan de volgende voorwaarden is voldaan:

- Het apparaat werd vakkundig en volgens de adviezen in de gebruiksaanwijzing behandeld. Noch de koper, noch een derde persoon heeft getracht het apparaat te repareren.
- Het apparaat werd voldoende gefrankeerd aan de GARDENA technische dienst gestuurd, met toevoeging van een volledig ingevulde garantietaal resp. kopie van de rekening.

Deze garantie van de producent heeft geen betrekking op de ten aanzien van de handelaar/verkoper bestaande aansprakelijkheid.

**Onderdelen die aan slijtage onderhevig zijn (bijv. verkruiemerkop; roterende hark) vallen niet onder de garantie.**

**Garantiekarte**  
**Warranty Card**  
**Carte de garantie**  
**Garantiekaart**  
**Garantikort**  
**Certificato di garanzia**  
**Tarjeta de garantía**  
**Carta de garantia**

GARDENA accu-system V12 Bodenkrümmer BL 7/25 mit Kreiselrechen  
GARDENA accu-system V12 Tiller BL 7/25 with rotating rake  
Emietteur-aérateur BL 7/25 accu-system V12 GARDENA, réf. 2190  
GARDENA accu-system V12 Borderfrees BL 7/25 met roterende hark  
GARDENA accu-system V12 Myllare BL 7/25 med roterande kratta  
GARDENA Dissodatore BL 7/25 accu-system V12 con disco spianatore  
GARDENA Desmenuzador BL 7/25 accu-system V12 con rastrillo rotativo  
Cultivador BL 7/25 GARDENA accu-system V12 com ancinho rotativo

wurde gekauft am:  
Purchase date:  
Acheté le (date et lieu d'achat) :  
Werd gekocht op:  
Inköpsdatum:  
Data di acquisto:  
Fecha de compra:  
Comprado em:

Beanstandung:  
Reasons for complaint:  
Défaut constaté :  
Klacht:  
Reklamation:  
Reclamo:  
Avería:  
Motivo de reclamação:

Händlerstempel:  
Dealer's stamp / Receipt:  
Cachet du revendeur :  
Stempel van de handelaar:  
Återförsäljarens stämpel:  
Timbro del rivenditore:  
Sello del comerciante:  
Carimbo do vendedor:



**Deutschland**

GARDENA  
Kress + Kastner GmbH  
GARDENA Service  
Hans-Lorenser-Straße 40  
D-89079 Ulm  
Produktfragen: (07 31) 490-123  
Reparaturen: (07 31) 490-290

**Argentina**

Unitán s.a.i.c.a.  
Paseo Colón 221 – P. 10°  
1399 Buenos Aires

**Australia**

NYLEX Corporation Ltd.  
25-29 Nepean Highway  
P.O. Box 68  
Mentone, Victoria 3194

**Austria**

GARDENA Österreich  
Gesellschaft m.b.H.  
Stettnerweg 11-15  
2100 Korneuburg

**Belgium**

MARKT (Belgium) NV/SA  
Sterrebeekstraat 163  
1930 Zaventem

**Canada**

Continental Industries  
100, Summerlea Road  
Brampton, Ontario  
Canada L6T 4X3

**Chile**

Comercial Maquinox  
Nueva Panamericana Sur,  
N° 1050  
San Bernardo  
Santiago de Chile

**Cyprus**

FARMOKIPIKI LTD  
P.O. Box 7098  
74, Digeni Akrita Ave.  
1641 Nicosia

**Czech Republic**

GARDENA spol. s.r.o.  
Brněnská 634  
66442 Brno-Modřice

**Denmark**

GARDENA Danmark A/S  
Bejlerholm 10  
9400 Nørresundby

**Finland**

Habitec Oy  
Martinkyläntie 52  
01720 Vantaa

**France**

GARDENA France  
Service Après-Vente  
BP 50080  
95948 ROISSY CDG Cedex

**Great Britain**

GARDENA UK Ltd.  
27-28 Brenkley Way  
Blezard Business Park  
Seaton Burn  
Newcastle upon Tyne  
NE13 6DS

**Greece**

Agrokip  
G. Psomadopoulos & Co.  
20, Lykourgou str.  
Kallithea  
Athens

**Hungary**

GARDENA Magyarország Kft.  
Késmárk utca 22  
1158 Budapest

**Iceland**

Heimilistaeki hf  
Saetun 8  
P.O. Box 5340  
125 Reykjavik

**Italy**

GARDENA Italia S.r.l.  
Via Donizetti 22  
20020 Lainate (Mi)

**Japan**

KAKUDAI Mfg. Co. Ltd.  
1-4-4, Itachibori Nishi-ku  
Osaka 550

**Luxembourg**

Magasins Jules Neuberg  
Grand Rue 30  
Case Postale No. 12  
Luxembourg 2010

**Netherlands**

MARKT (Holland) BV  
Postbus 219  
1380 AE Weesp

**New Zealand**

NYLEX  
New Zealand Limited  
Head Office  
22, Ormiston Road  
Private Bag  
South Auckland Mail Centre  
Auckland

**Norway**

GARDENA Norge A/S  
Postboks 214  
2013 Skjetten

**Poland**

GARDENA Polska Sp. z o.o.  
Orzeszyn 35 a  
k/Piaseczna  
05-532 Baniocza

**Portugal**

MARKT (Portugal), Lda.  
Recta da Granja do Marquês  
Algueirão  
2725 Mem Martins

**Russia / Россия**

АО АМИДА  
ул. Мосфильмовская 66  
117330 Москва

**Singapore**

Variware  
Holland Road Shopping Centre  
227-A 1st Fl., Unit 29  
Holland Avenue  
Singapore 1027

**Slowenia**

Silk d.o.o. Trgovina  
Brodišče 15  
1236 Trzin

**South Africa**

GARDENA  
South Africa (Pty.) Ltd.  
P.O. Box 11534  
Vorna Valley 1686

**Spain**

ANMI Andreu y Miriam S.A.  
Calle Pere IV, 111  
08018 Barcelona

**Sweden**

GARDENA Svenska AB  
Box 9003  
20039 Malmö

**Switzerland**

GARDENA Kress + Kastner AG  
Bitziberg 1  
8184 Bachenbülach

**Turkey**

Bahçe Tarım ve Sulama  
Araçları Ticaret A.Ş.  
Soğanlık Yolu, Yalınız  
Selvi Sok. No: 21  
81440 Kartal-İstanbul

**USA**

GARDENA  
3085 Shawnee Drive  
Winchester, VA 22604

2190-20.960.01/0962  
GARDENA Kress + Kastner GmbH  
Postfach 27 47, D-89070 Ulm  
<http://www.gardena.de>