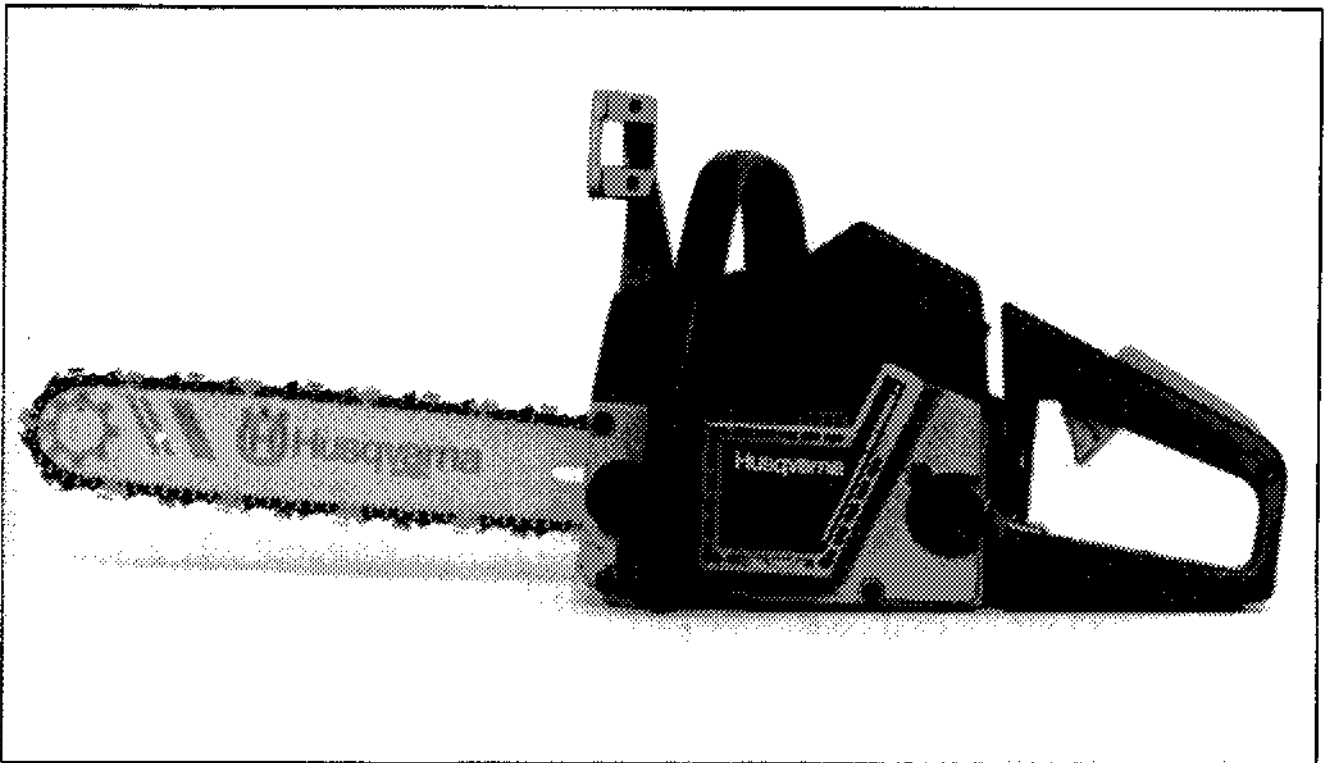


# 45



## 1.1990

**Spare parts**

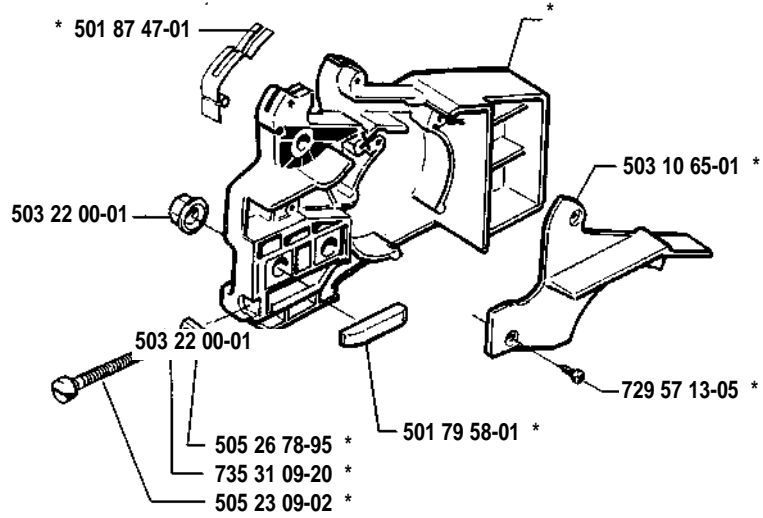
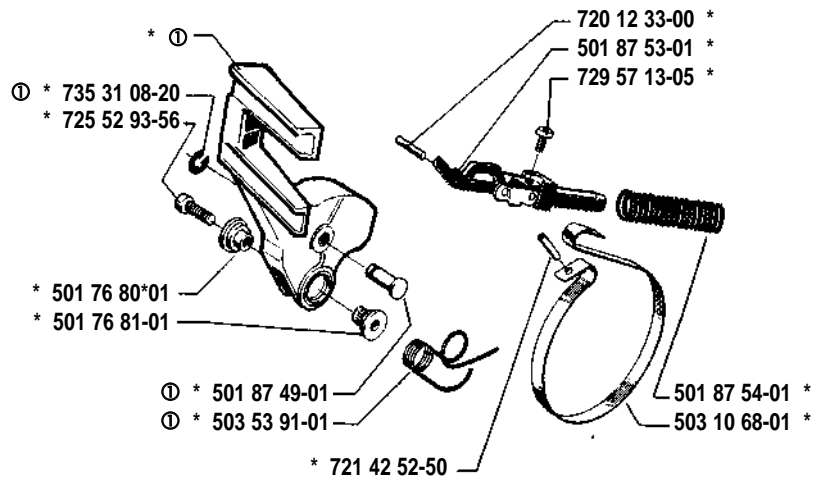
**Ersatzteile**

**Pièces détachées**

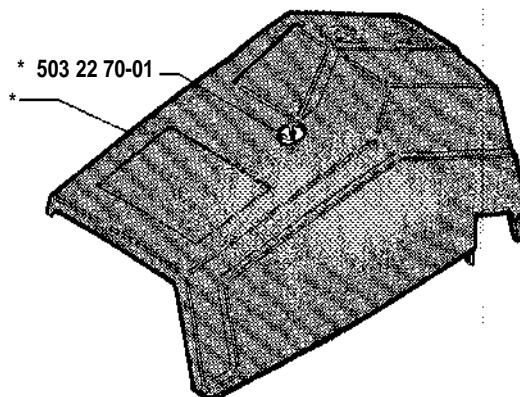
**Repuestos**

**Reservdelar**

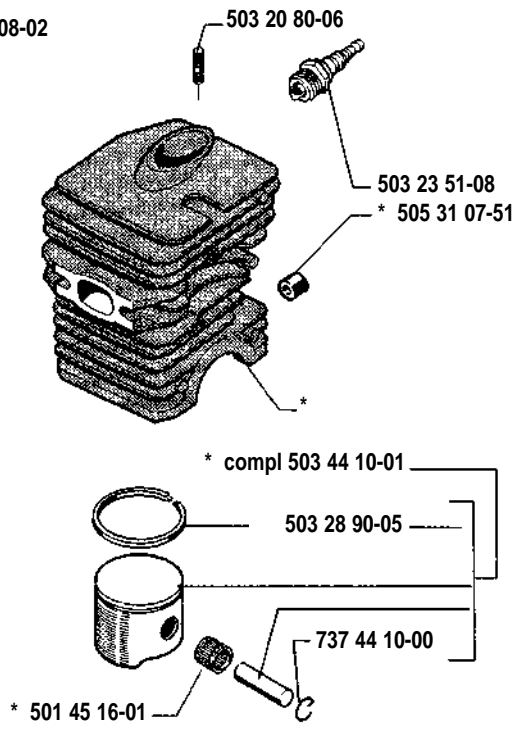
**A** \* compl 503 10 63-01  
 ⓐ compl 503 10 66-02



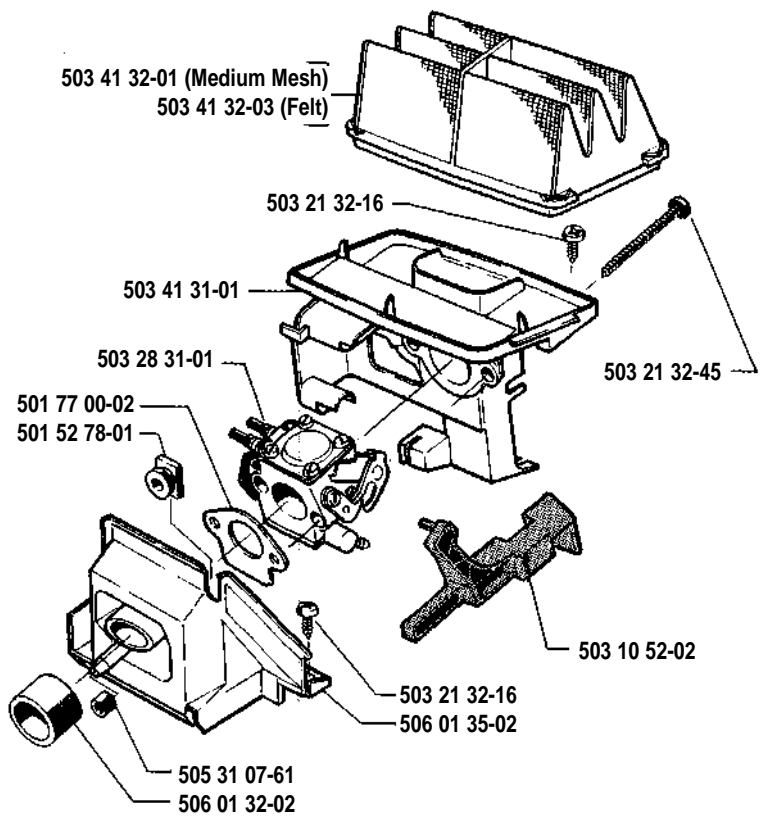
**B** \* compl 503 10 61-02  
 \* compl 503 50 20-02 (USA)



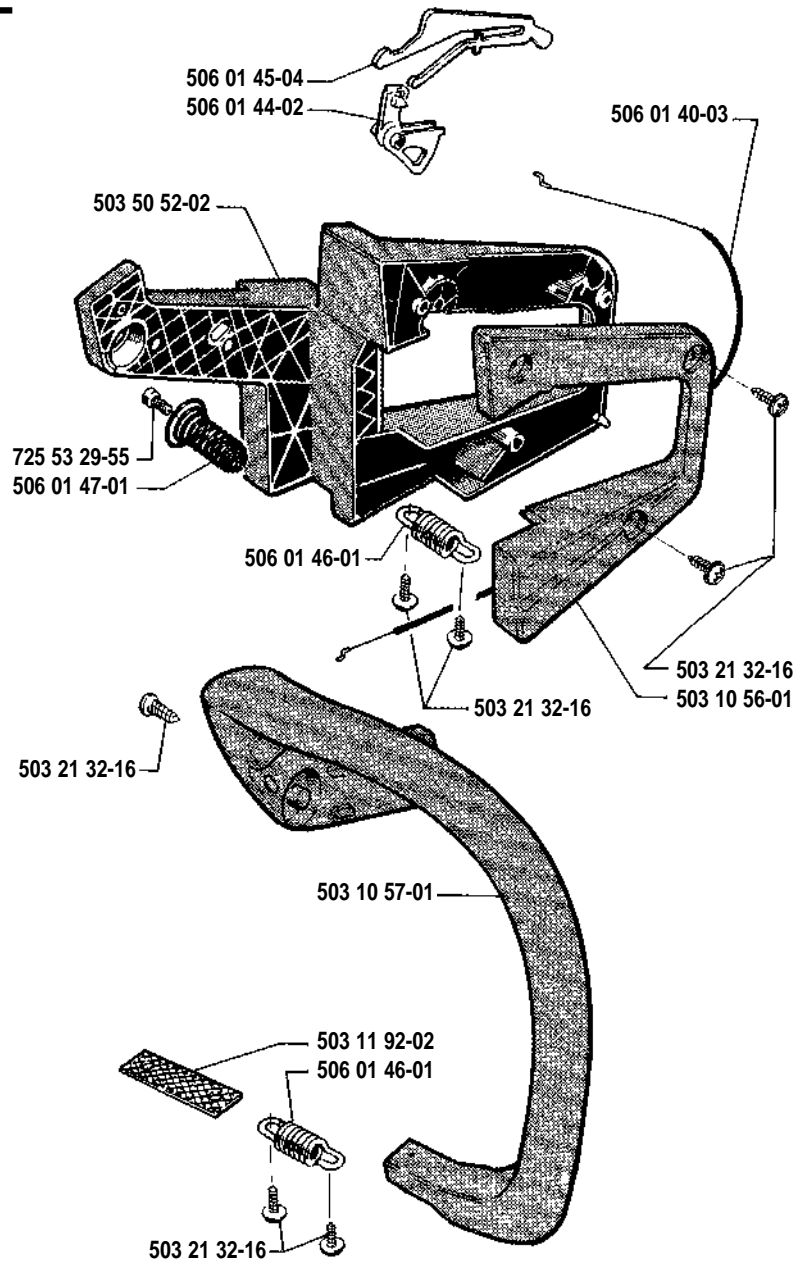
**C** \* compl 503 44 08-02



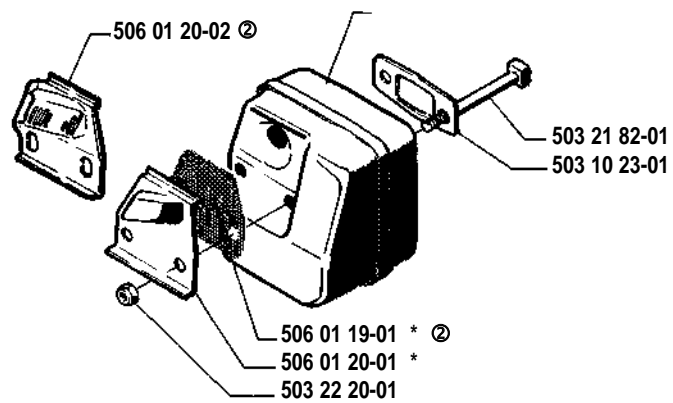
**D**

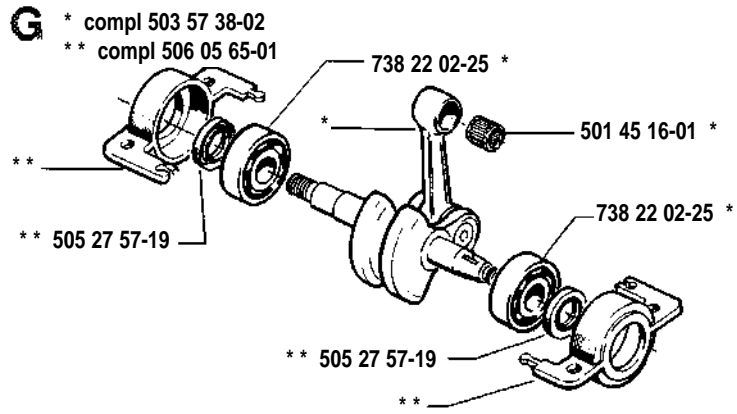


**E**

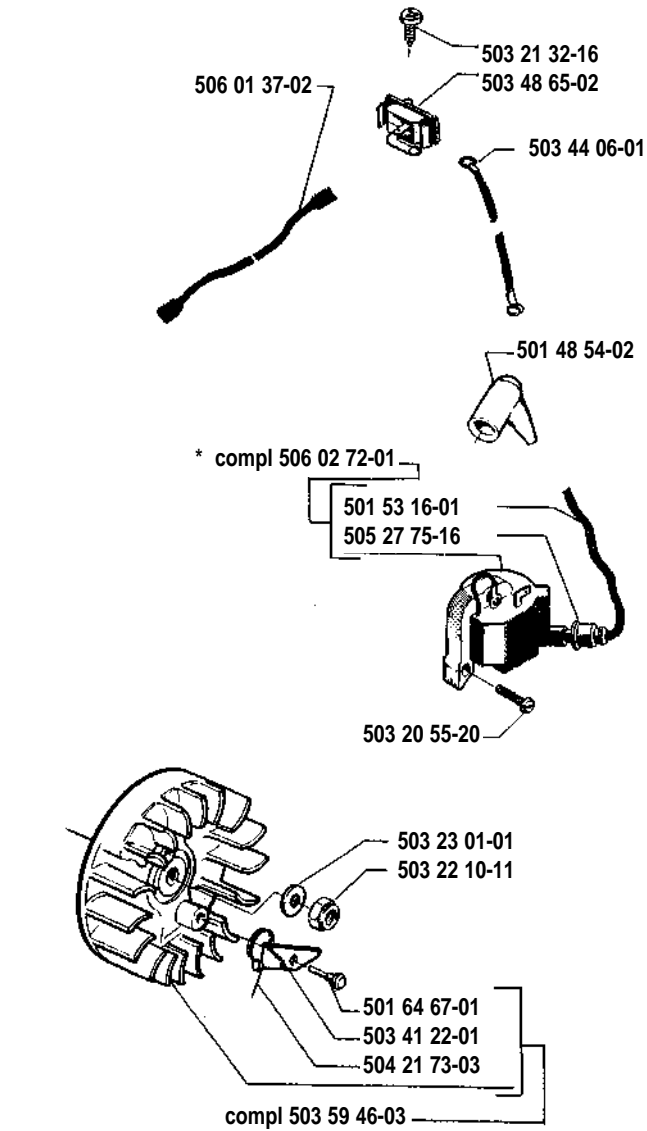


**F** \* compl 503 59 51-01  
© compl 503 59 51-02 (USA)

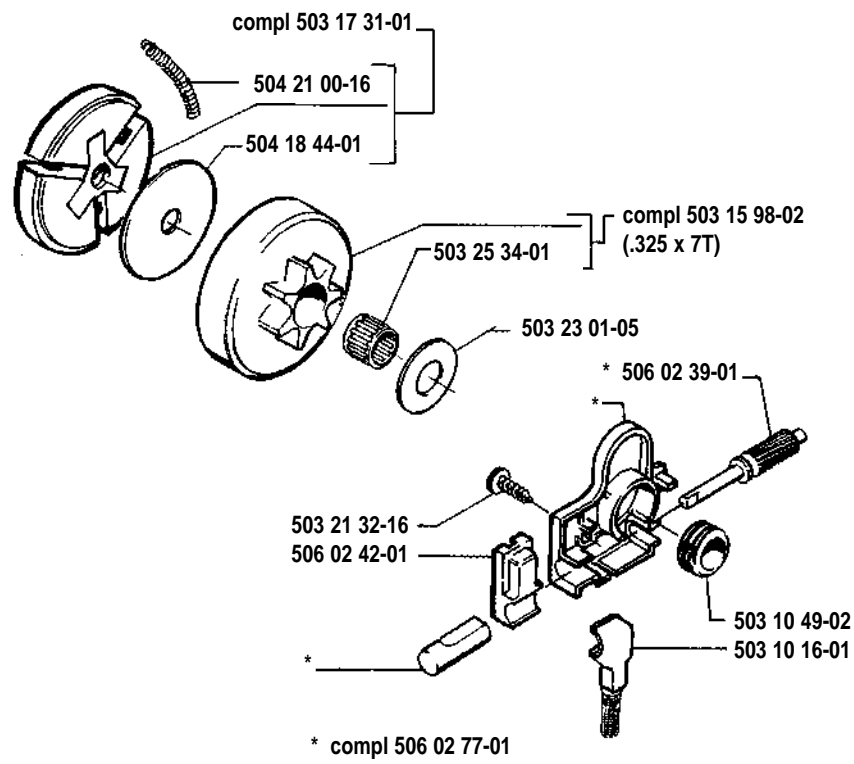




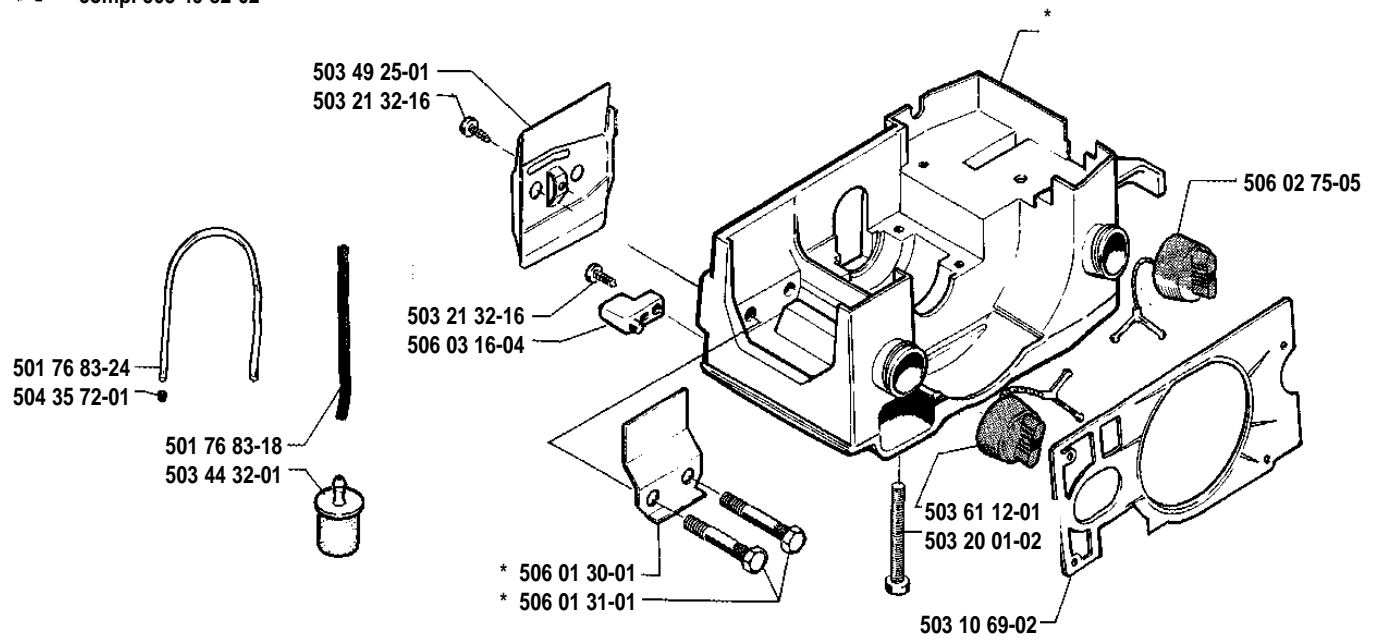
**H**



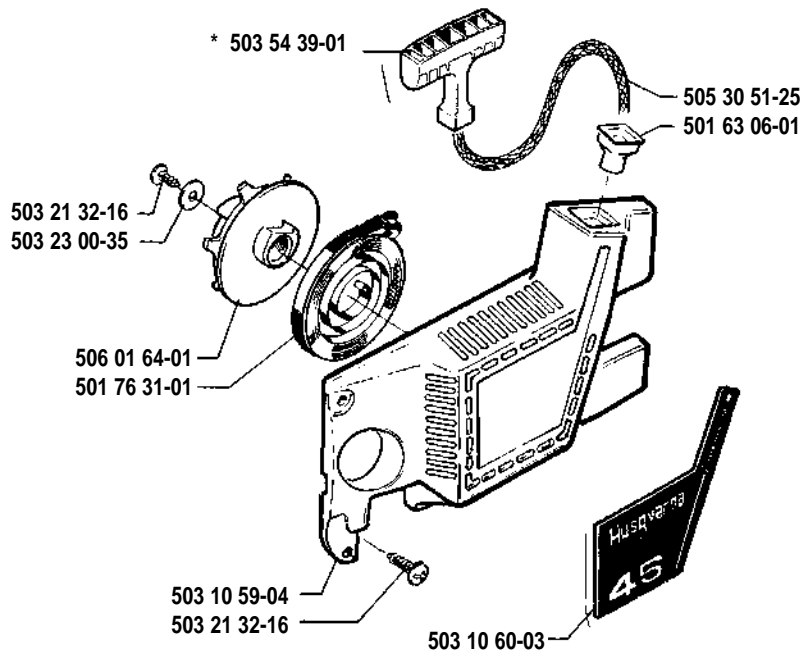
J



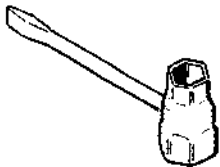
K \* compl 503 49 82-02



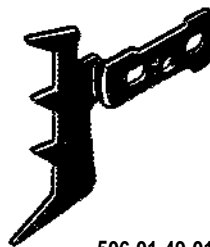
L



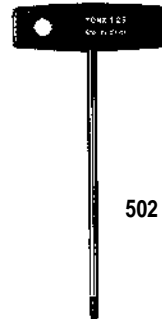
**N** Accessoires  
Zubehöre  
Accessories  
Accessorios  
Tillbehör



501 69 17-01



506 01 49-01



502 71 27-01





MODEL NUMBER 45

| PARTNUMBER   | SQUARE | NOTE | PARTNUMBER   | SQUARE | NOTE | PARTNUMBER   | SQUARE | NOTE | PARTNUMBER | SQUARE | NOTE |
|--------------|--------|------|--------------|--------|------|--------------|--------|------|------------|--------|------|
| 501 45 16-01 | C,G    |      | 503 25 34-01 | J      |      | 503 53 91-01 | A      |      |            |        |      |
| 501 48 54-02 | H      |      | 503 28 31-01 | D,M    | N    | 503 54 39-01 | L      | N    |            |        |      |
| 501 52 78-01 | D      |      | 503 28 90-05 | C      | N    | 503 57 38-02 | G      |      |            |        |      |
| 501 53 16-01 | H      |      | 503 41 22-01 | H      |      | 503 59 46-03 | H      |      |            |        |      |
| 501 63 06-01 | L      |      | 503 41 31-01 | D      |      | 503 59 51-01 | F      |      |            |        |      |
| 501 64 67-01 | H      |      | 503 41 32-01 | D      | N    | 503 59 51-02 | F      |      |            |        |      |
| 501 69 17-01 | N      |      | 503 41 32-03 | D      |      | 503 61 12-01 | K      |      |            |        |      |
| 501 76 31-01 | L      |      | 503 44 06-01 | H      |      | 504 18 44-01 | J      |      |            |        |      |
| 501 76 80-01 | A      |      | 503 44 08-02 | C      |      | 504 21 00-16 | J      |      |            |        |      |
| 501 76 81-01 | A      |      | 503 44 10-01 | C      |      | 504 21 73-03 | H      |      |            |        |      |
| 501 76 83-18 | K      |      | 503 44 32-01 | K      |      | 504 35 72-01 | K      |      |            |        |      |
| 501 76 83-24 | K      |      | 503 47 86-01 | M      | N    | 505 23 09-02 | A      |      |            |        |      |
| 501 77 00-02 | D      |      | 503 47 87-01 | M      | N    | 505 26 78-95 | A      |      |            |        |      |
| 501 79 58-01 | A      |      | 503 47 88-01 | M      | N    | 505 27 57-19 | G      |      |            |        |      |
| 501 87 47-01 | A      |      | 503 47 89-01 | M      | N    | 505 27 75-16 | H      |      |            |        |      |
| 501 87 49-01 | A      |      | 503 47 90-01 | M      | N    | 505 30 51-25 | L      |      |            |        |      |
| 501 87 53-01 | A      |      | 503 47 91-01 | M      | N    | 505 31 07-51 | C,D    |      |            |        |      |
| 501 87 54-01 | A      |      | 503 47 93-01 | M      | N    | 506 01 19-01 | F      |      |            |        |      |
| 502 71 27-01 | N      |      | 503 47 94-01 | M      | N    | 506 01 20-01 | F      |      |            |        |      |
| 503 10 16-01 | J      |      | 503 47 95-01 | M      | N    | 506 01 20-02 | F      |      |            |        |      |
| 503 10 23-01 | F      |      | 503 47 96-01 | M      | N    | 506 01 30-01 | K      |      |            |        |      |
| 503 10 49-02 | J      |      | 503 47 97-01 | M      | N    | 506 01 31-01 | K      |      |            |        |      |
| 503 10 52-02 | D      |      | 503 47 98-01 | M      | N    | 506 01 32-02 | D      |      |            |        |      |
| 503 10 56-01 | E      |      | 503 47 99-01 | M      | N    | 506 01 35-02 | D      |      |            |        |      |
| 503 10 57-01 | E      |      | 503 48 00-01 | M      | N    | 506 01 37-02 | H      |      |            |        |      |
| 503 10 59-04 | L      |      | 503 48 01-01 | M      | N    | 506 01 40-03 | E      |      |            |        |      |
| 503 10 60-03 | L      |      | 503 48 02-01 | M      | N    | 506 01 44-02 | E      |      |            |        |      |
| 503 10 61-02 | B      |      | 503 48 03-01 | M      | N    | 506 01 45-04 | E      |      |            |        |      |
| 503 10 63-01 | A      |      | 503 48 04-01 | M      | N    | 506 01 46-01 | E      |      |            |        |      |
| 503 10 65-01 | A      |      | 503 48 05-01 | M      | N    | 506 01 47-01 | E      |      |            |        |      |
| 503 10 66-02 | A      |      | 503 48 06-01 | M      | N    | 506 01 49-01 | N      |      |            |        |      |
| 503 10 68-01 | A      |      | 503 48 07-01 | M      | N    | 506 01 64-01 | L      |      |            |        |      |
| 503 10 69-02 | K      |      | 503 48 08-01 | M      | N    | 506 02 39-01 | J      |      |            |        |      |
| 503 11 92-02 | E      |      | 503 48 09-01 | M      | N    | 506 02 42-01 | J      |      |            |        |      |
| 503 15 98-02 | J      |      | 503 48 10-01 | M      | N    | 506 02 72-01 | H      |      |            |        |      |
| 503 17 31-01 | J      |      | 503 48 11-01 | M      | N    | 506 02 75-05 | K      |      |            |        |      |
| 503 20 01-02 | K      |      | 503 48 13-01 | M      | N    | 506 02 77-01 | J      |      |            |        |      |
| 503 20 55-20 | H      |      | 503 48 14-01 | M      | N    | 506 03 16-04 | K      |      |            |        |      |
| 503 20 80-06 | C      |      | 503 48 15-01 | M      | N    | 506 05 65-01 | G      |      |            |        |      |
| 503 21 32-16 | DEH,KL |      | 503 48 16-01 | M      | N    | 720 12 33-00 | A      |      |            |        |      |
| 503 21 32-45 | D      |      | 503 48 17-01 | M      | N    | 721 42 52-50 | A      |      |            |        |      |
| 503 21 82-01 | F      |      | 503 48 18-01 | M      | N    | 725 52 93-56 | A      |      |            |        |      |
| 503 22 00-01 | A      |      | 503 48 19-01 | M      | N    | 725 53 29-55 | E      |      |            |        |      |
| 503 22 10-11 | H      |      | 503 48 20-01 | M      | N    | 729 57 13-05 | A      |      |            |        |      |
| 503 22 20-01 | F      |      | 503 48 21-01 | M      | N    | 735 31 08-20 | A      |      |            |        |      |
| 503 22 70-01 | B      |      | 503 48 65-02 | H      |      | 735 31 09-20 | A      |      |            |        |      |
| 503 23 00-35 | L      |      | 503 49 25-01 | K      |      | 737 44 10-00 | C      | N    |            |        |      |
| 503 23 01-01 | H      |      | 503 49 82-02 | K      |      | 738 22 02-25 | G      |      |            |        |      |
| 503 23 01-05 | J      |      | 503 50 20-02 | B      | N    |              |        |      |            |        |      |
| 503 23 51-08 | C      |      | 503 50 52-02 | E      |      |              |        |      |            |        |      |

N=NEW PART  
 NEUES TEIL  
 NOUVELLE PIECE  
 NUEVA PIEZA  
 NY DETALJ