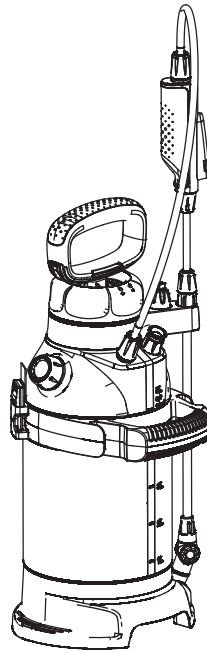


5L Plus

型号 11138-39

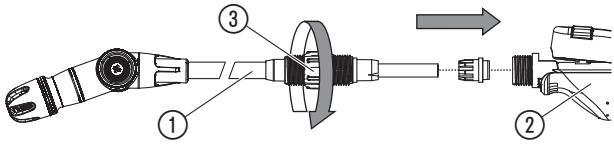


EN Operator's manual

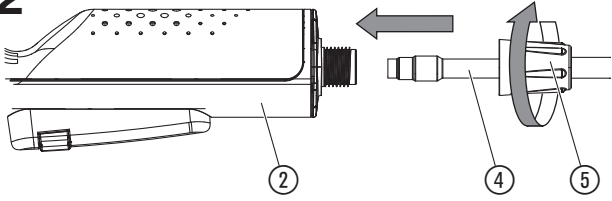
Pressure Sprayer

制造商： 嘉丁拿制造有限公司 (GARDENA Manufacturing GmbH)
地址： 德国乌尔姆市汉斯洛伦瑟大街 40 号
电话： +49 (0) 731 490 - 0
售后服务： 富世华 (上海) 管理有限公司
上海市长宁区淞虹路 207 号明基广场 B 座 3 楼
客服电话： 4008700292

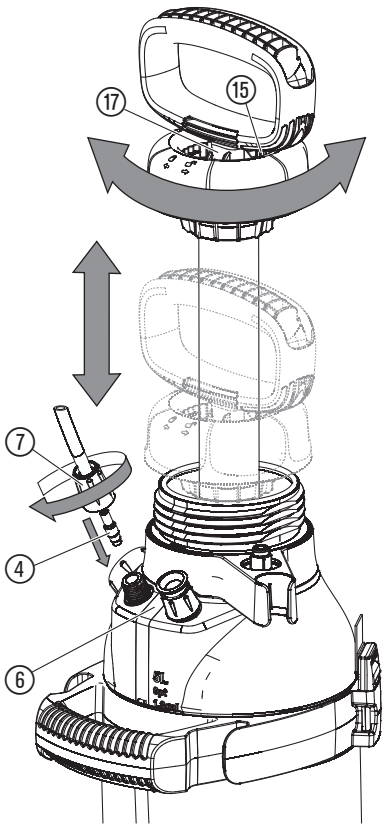
A1



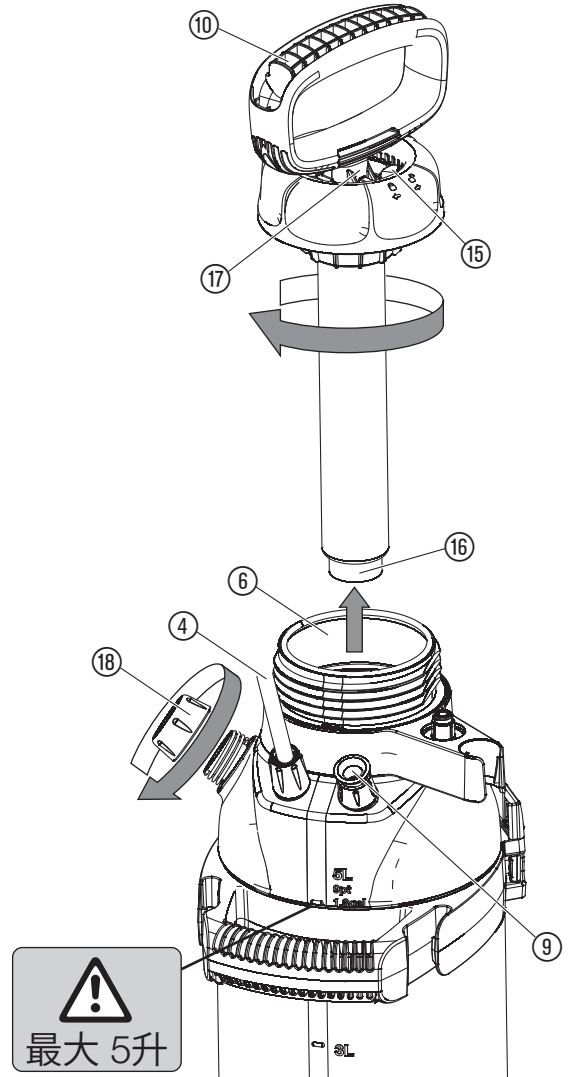
A2



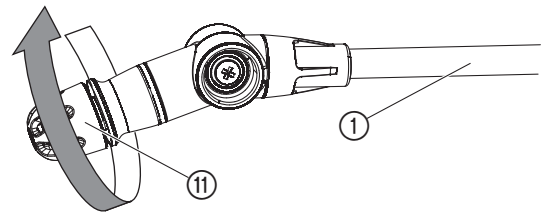
A3



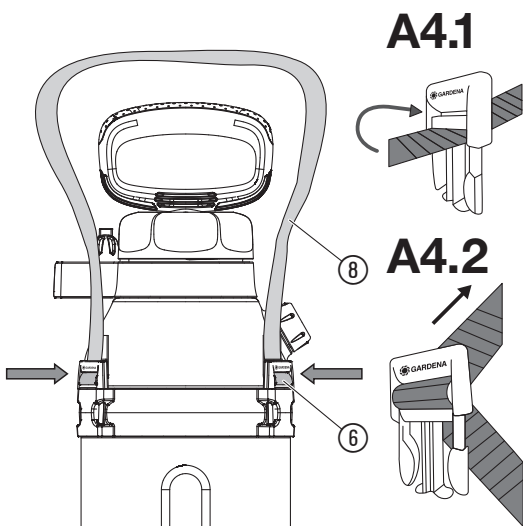
O1



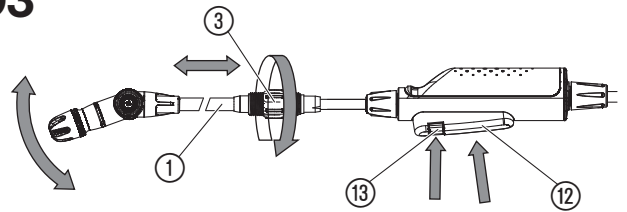
O2



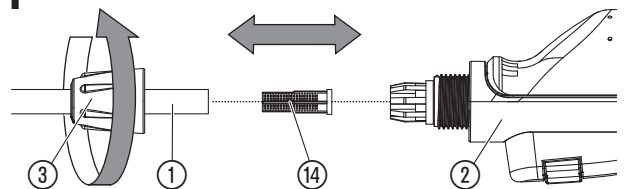
A4



O3



T1



special working liquid. According to the instructions provided by the pesticide manufacturer, dispose the packaging and residual liquid properly.

1. SAFETY

Notice

- Pressure container, beware of falling.
- Wear protective clothing when working.
- Wear protective glasses and masks when working.
- Wear protective gloves when working.
- Clean after work.

Danger of physical injuries:

Never open the Pressure Sprayer or unscrew the nozzle and the dosing cap when the Pressure Sprayer is still pressurised. To prevent injury, never connect the Pressure Sprayer to an air-compressor.

Always hold the Pressure Sprayer upright before the safety relief valve ⑨ (Fig. 01) is pulled.

When spraying insecticides, herbicides and fungicides or other liquid plant protection products, you must comply with all special precautionary measures specified by the manufacturer of the product you are using.

Before each opening of the Pressure Sprayer, thoroughly release pressure by pulling the safety relief valve ⑨.

DANGER! Small parts can be easily swallowed. There is also a risk that the polybag can suffocate toddlers. Keep toddlers away when you assemble the product.

Operation:

CAUTION: The tank may only be filled with a maximum of 5 litres liquid. Inspect the Pressure Sprayer visually before each use. Never leave your Pressure Sprayer unattended or for long periods when full and pressurised. Keep the unit out of the reach of children. You are responsible for the safety of others. Keep your Pressure Sprayer away from heat sources and hot environments. Screw on the pump handle ⑩ tightly by hand (do not use tools) and ensure that the O-ring ⑮ (Fig. 01) is positioned correctly.

Cleaning:

Release the pressure after each use, empty the container, clean it carefully and rinse with clear water. Then leave the pressure sprayer open and allow it to dry. Do not dispose of residual fluids in the sewerage system (local disposal systems). Always clean the Pressure Sprayer before using a different product to avoid chemical reactions. When using several Pressure Sprayers, the tanks and spray nozzle may not be exchanged between them. We recommend that you have your Pressure Sprayer thoroughly inspected (preferably at a GARDENA Service Centre) after using it for 5 years.

Storage:

Before storing, loosen the tank cap and always empty your Pressure Sprayer completely (also after cleaning with water). Store away from frost. If you use the permanent lock ⑲ (Fig. 03) pay attention that you work very carefully.

Carry the pressure sprayer by the carrying strap ⑧ or the handle ⑩. Make sure that the product is protected from direct sunlight. The product may heat up.

2. ASSEMBLY

1. **Fig. A1:** Slide the spray lance ① into the hand valve ② and screw on the union nut ③.
2. **Fig. A2:** Slide the spray hose ④ into the hand valve and screw on the union nut ⑤.
3. **Fig. A3:** Slide the spray hose ④ into the container and screw on the union nut ⑦.
4. **Fig. A4: (A4.1)** Pass the carrying strap ⑧ through the **lower** slot of the buckle so that the GARDENA inscription is visible at the front. **(A4.2)** Pass the end of the strap through the **upper** slot of the buckle. Fasten the buckles to the container ⑥. Make sure there is a firm connection between belt–buckle and buckle–container.

EN GARDENA Pressure Sprayer 5L Plus

Translation of the original instructions.

Please read the operating instructions carefully and observe the notes given. Use the instructions to familiarise yourself with the Pressure Sprayer, its proper use and the notes on safety. For safety reasons, children under 16 as well as persons not familiar with these operating instructions must not use the Pressure Sprayer. Never operate the product when you are tired, ill or under the influence of alcohol, drugs or medicine. Read the operator's manual carefully before use and keep for future reference.

Intended use:

Please follow the manufacturer's instructions for pesticide treatment. The GARDENA Pressure Sprayer is intended for distributing solvent-free liquid pesticides¹⁾, herbicides¹⁾, fertilisers¹⁾, window cleaners¹⁾, and car wax¹⁾ in domestic gardens and allotments. It must not be used in public places, parks, sport arenas or forestry. Compliance with the specifications in this operating manual is a requirement for the proper use of the Pressure Sprayer.

¹⁾ According to the Plant Protection Law as well as the Detergents and Cleaning Agents Law, only approved agents may be used (authorised specialist dealers).

Please note:

Due to the risk of physical injury, the GARDENA Pressure Sprayer must not be used for spraying substances other than those specified by GARDENA. Also, no acids, disinfectants or impregnators, aggressive and solvent-containing cleaning agents, petrol or spray oil may be sprayed. Do not use

3. OPERATION

Please observe the safety and proportioning instructions provided by the manufacturer of the product you are going to spray.

To spray the liquid [Fig. O1/O2/O3]:

1. Pull the safety relief valve ⑨.
2. Unscrew the pump handle ⑩ or the dosing cap ⑱ and fill the container ⑥.
3. If necessary, fill in an additive via the dosing cap ⑱.
(Scale with 5, 10 and 20 ml).
4. Screw the pump handle ⑩ or the dosing cap ⑱ back onto the container ⑥.
5. If necessary, loosen the union nut ③ and adjust the lance to the desired length.
6. Release the locking device ⑰ on the pump handle until it is between the two stops of the thread ⑱.
7. Pump with the pump handle ⑩.
8. Adjust the spray jet (clockwise rotation → spray mist; counterclockwise rotation → spray jet) and the spray angle via the nozzle ⑪.
9. Push the button ⑫ on the lance handle to spray the liquid. If necessary, you can lock the button ⑫ with the permanent lock ⑬.

4. MAINTENANCE

To clean the pressure sprayer:

Always clean your Pressure Sprayer after spraying. Use the Pressure Sprayer only with clear water (possibly with addition of dish detergent) and spray empty. The valves, the spray lance ①, the nozzle ⑪ and the filter ⑭ are cleaned. In the case of outer dirtying of cover and tank, thoroughly clean the area thread and thread-O-ring ⑮.

Check the safety relief valve ⑨ for smooth running.

5. STORAGE

To put into storage:

1. Clean the pressure sprayer (see 4. MAINTENANCE).
2. Store the pressure sprayer in a frost-free place.

6. TROUBLESHOOTING

To clean the filter [Fig. T1]:

→ Unscrew the spray lance ①, remove the filter ⑭ and clean it.

Problem	Possible Cause	Remedy
Pump does not build up pressure	Handle ⑩ or the dosing cap ⑱ too lightly screwed on.	→ Screw on handle ⑩ or the dosing cap ⑱ tighter.
	Hose connection at the container and hand valve is not tight.	→ Tighten the hose connections at the container and hand valve.
	Permanent lock ⑬ on the handle is locked.	→ Release the permanent lock ⑬ on the handle.
	Sealing cap ⑱ is dirty/defective.	→ Clean/exchange sealing cap ⑱.
Pressure Sprayer does not spray although there is sufficient pressure or only sprays with a weak spray jet	Nozzle ⑪ is blocked.	→ Unscrew nozzle ⑪ and clean.
	Filter ⑭ is clogged.	→ Remove filter ⑭ from the spray lance and clean it.
It is difficult to open and close the container	Container pressure too high.	→ Release the container pressure completely by means of the safety relief valve ⑨.

NOTE: For any other malfunctions please contact the GARDENA service department.

7. TECHNICAL DATA

Max. capacity	5 l
Spray tube length	42 – 72 cm
Permissible working pressure	3 bar
Max. permissible operating temperature	40 °C

8. SERVICE/WARRANTY

In the event of a warranty claim, no charge is levied to you for the services provided.

GARDENA Manufacturing GmbH offers a two-year warranty (effective as of the date of purchase) for this product. This warranty includes all signi-

ficant defects of the product that can be proved to be material or manufacturing faults. This warranty is fulfilled by supplying a fully functional replacement product or by repairing the faulty product sent to us free of charge; we reserve the right to choose between these options. This service is subject to the following provisions: The product was used for its intended purpose as per the recommendations in the operating instructions. Neither the purchaser nor a third party has attempted to repair the product. This manufacturer's warranty does not affect warranty entitlements against the dealer/retailer. If problems arise with this product, please contact our Service department or send the defective product along with a brief description of the fault to GARDENA Manufacturing GmbH, making sure to have sufficiently covered any shipping costs and to have followed the relevant postage and packaging guidelines. A warranty claim must be accompanied by a copy of the proof of purchase.

<p>Deutschland / Germany GARDENA Manufacturing GmbH Central Service Hans-Lorenser-Straße 40 D-89079 Ulm Produktfragen: (+49) 731 490-123 Reparaturen: (+49) 731 490-290 service@gardena.com http://www.gardena.com</p>	<p>Costa Rica Exim CIA Costa Rica Calle 25A, B°. Montalegre Zapote San José Costa Rica Phone: (+506) 2221-5654 (+506) 2221-5659 eximcostanica@gmail.com</p>	<p>Ireland Liffey Distributors Ltd. 309 NW Business Park, Ballycoolen 15 Dublin Phone: (+353) 1 824 2600 info@liffeyd.com</p>	<p>Netherlands Husqvarna Nederland B.V. GARDENA Division Postbus 50131 1305 AC ALMERE Phone: (+31) 36 521 00 10 info@gardena.nl</p>	<p>South Africa Husqvarna South Africa (Pty) Ltd Lifestyle Business Park – Ground Floor Block A Cnr Beyers Naude Drive and Ysterhout Road Randpark Ridge, Randburg Phone: (+27) 10 015 5750 service@gardena.co.za</p>
<p>Albania KRAFT SHPK Autostrada Tirane-Durres Km 7 1051 Tirane Phone: (+355) 69 877 7821 info@kraft.al</p>	<p>Croatia Husqvarna Austria GmbH Industriezele 36 4010 Linz Phone: (+43) 732 77 01 01-485 service.gardena@husqvarnagroup.com</p>	<p>Israel HAGARIN LTD. 2 Nahal Harif St. 8122201 Yavne internet@hagarin.co.il Phone: (+972) 8-932-0400</p>	<p>Neth. Antilles Jonka Enterprises N.V. Sta. Rosa Weg 196 P.O. Box 8200 Curaçao Phone: (+599) 9 767 66 55 info@jonka.com</p>	<p>Spain Husqvarna España S.A. Calle de Rivas nº 10 28052 Madrid Phone: (+34) 91 708 05 00 atencioncliente@gardena.es</p>
<p>Argentina ROBERTO C. RUMBO S.R.L. Predio Norlog Lote 7 Benavidez, ZC: 1621 Buenos Aires ventas@rumbosrl.com.ar</p>	<p>Cyprus Pantelis Papadopoulos S.A. 92 Athinon Avenue Athens 10442 Greece Phone: (+30) 21 0519 3100 infocyp@papadopoulos.com.gr</p>	<p>Italy Husqvarna Italia S.p.A. Via Santa Vecchia 15 23868 VALLMADRERA (LC) Phone: (+39) 0341.203.111 assistenza.italia@it.husqvarna.com</p>	<p>New Zealand Husqvarna New Zealand Ltd. PO Box 76-437 Manukau City 2241 Phone: (+64) (0) 9 9202410 support.nz@husqvarna.co.nz</p>	<p>Sri Lanka Hunter & Company Ltd. 130 Front Street Colombo Phone: 94-11 232 81 71 hurters@eureka.lk</p>
<p>Armenia AES Systems LLC Marshal Babajanyan Avenue 56/2 0022 Yerevan Phone: (+374) 60 651 651 masisohanyan@cloud.com</p>	<p>Czech Republic Gardena Service Center Vrbno c/o Husqvarna Manufacturing CZ s.r.o. Jesenická 146 79326 Vrbno pod Prádedem Phone: 800 100 425 servis@gardena.cz</p>	<p>Japan Husqvarna Zenoh Co. Ltd. Japan 1-9 Minamidai, Kawagoe 350-1165 Saitama Japan gardena-jp@husqvarnagroup.com</p>	<p>North Macedonia Sinpeks d.o.o. Ul. Kravarski Pat Bb 7000 Bitola Phone: (+389) 47 20 85 00 sinpeks@mt.net.mk</p>	<p>Suriname Deto Handelmaatschappij N.V. Kerinkampweg 72-74 P.O. Box: 12782 Paramaribo Suriname Phone: (+597) 438050 info@deto.sr</p>
<p>Australia Husqvarna Australia Pty. Ltd. Locked Bag 5 Central Coast BC NSW 2252 Phone: (+61) (0) 2 4352 7400 customer.service@husqvarna.com.au</p>	<p>Denmark GARDENA DANMARK Lejvej 19, st. 3500 Værløse Tlf.: (+45) 70 26 47 70 husqvarna@husqvarna.dk www.gardena.com/dk</p>	<p>Kazakhstan TOO "Ламед" Russian Адрес: Қазақстан, г. Алматы, ул. Тажибаевой, 155/1 Тел.: (+7) (727) 355 64 00 (+7) (700) 355 64 00 lamed@lamed.kz</p>	<p>North Macedonia Mediterranean Home & Garden No 150 Alsancak, Karaoglanoglu Caddesi Gine Phone: (+90) 392 821 33 80 info@medgardener.com</p>	<p>Sweden Husqvarna AB / GARDENA Sverige Drottningatan 2 561 82 Huskvarna Sverige Phone: (+46) (0) 36-14 60 02 info@gardena.se</p>
<p>Austria / Österreich Husqvarna Austria GmbH Industriezele 36 4010 Linz Tel.: (+43) 732 77 01 01-485 service.gardena@husqvarnagroup.com</p>	<p>Dominican Republic BOSQUESA, S.R.L. Carretera Santiago Licey Km. 5 ½ Esquina Copal II. Santiago De Los Caballeros 51000 Dominican Republic Phone: (+1) 809-562-0476 contacto@bosquesa.com.do</p>	<p>Korea Kyung Jin Trading Co., Ltd 107-4, Sunduk Bld, Yangjae-Dong Seocho-Gu 137-891 Seoul Phone: (+82) 2 574 6300 kjh@kjh.co.kr</p>	<p>Northern Cyprus General Development Services PO 1475, PC - 111 Seeb 111 Oman Phone: 96824 5828 16 gdsoman@gdsoman.com</p>	<p>Switzerland / Schweiz Husqvarna Schweiz AG Consumer Products Industriestrasse 10 5506 Mägerlen Phone: (+41) (0) 62 887 37 90 info@gardena.ch</p>
<p>Azerbaijan Proqres Xüsusi Firması Aliyar Aliyev 212, Baku, Azerbaijan Sales: +994 70 326 07 14 Aftersales: +994 77 326 07 14 www.proqres-garden.az info@proqres-garden.az</p>	<p>Egypt Universal Agencies Co 26, Abdel Hamid Lotfy St. Giza Phone: 3761 5757 https://gardeningegypt.com/ hany.masoud@univag.org/</p>	<p>Kuwait Palms Agro Production Co Al Rai- Fourth Ring Road – Block 56. P.O Box: 1976 Safat 13020 Al-Rai Phone: 24730745 info@palms-kw.com</p>	<p>Peru Sierras y Herramientas Forestal SAC Av. Las Gaviotas 833, Chorrillos Lima Phone: (+51) 1 2520252 supervisorventas1@siersac.com www.siersac.com</p>	<p>Taiwan Hong Ying Trading Co., Ltd. No. 46 Wu-Kun-Wu Road New Taipei City Phone: (+886) (02) 2298 1486 salesg1@7friends.com.tw</p>
<p>Belarus / Беларусь ООО «Мастер Гарден» 220118, г. Минск, улица Шаранговича, дом 7а Тел. (+375) 17 257 00 33 mg@mastergarden.by</p>	<p>Estonia Husqvarna Eesti OÜ Valdeku 132 EE-11216 Tallinn info@gardena.ee</p>	<p>Kyrgyzstan O'So Alya Maki Av. Molodaya Guardia 83 720014 Bishkek Phone: (+996) 312 322115</p>	<p>Poland Gardena Service Center Vrbno c/o Husqvarna Manufacturing CZ s.r.o. Jesenická 146 79326 Vrbno pod Prádedem Czech Republic Phone: (22) 336 78 90 servis@gardena.pl</p>	<p>Thailand Spica Co. Ltd 243/2 Onnuch Rd., Prawat Bangkok 10250 Thailand Phone: (+66) (0)2721 7373 surapong@spica-siam.com</p>
<p>Bahrain M.H. Al-Mahroos BUILDING 208, BLOCK 356, ROAD 328 Salhiya Phone: +973 1740 8090 almahroos@almahroos.com</p>	<p>Finland Oy Husqvarna Ab Gardena Division Lautatarhankatu 8 B / PL 3 00561 HELSINKI www.gardena.fi</p>	<p>Latvia Husqvarna Latvija SIA Ulbrokas 19A LV-1021 Riga info@gardena.lv</p>	<p>Portugal Husqvarna Portugal, SA Lagoa - Albarraque 2635 - 595 Rio de Mouro Phone: (+351) 21 922 85 30 Fax: (+351) 21 922 85 36 info@gardena.pt</p>	<p>Tajikistan ARIERS JV LLC 39, Ayni Street, 7734024 Dushanbe, Tajikistan</p>
<p>Belgium Husqvarna Belgium nv Gardena Division Leuvensesteenweg 542 Planet II E 1930 Zaventem Belgie</p>	<p>France Husqvarna France 9/11 Allée des pierres mayettes 92635 Gennemilliers Cedex France http://www.gardena.com/fr N° AZUR: 0 810 00 78 23 (Prix d'un appel local)</p>	<p>Lithuania UAB Husqvarna Lietuva Ateities pl. 77C LT-52104 Kaunas info@gardena.lt</p>	<p>Romania Madex International Srl Soseaua Odaii 117 - 123, RO 013603 Bucuresti, S1 Phone: (+40) 21 352 7603 madex@ines.ro</p>	<p>Turkey Dost Bahçe Yunus Mah. Adil Sk. No:3 Kartal Istanbul 34873 Turkey Phone: (+90) 216 389 39 39 info@dostbahce.com.tr www.dostbahce.com.tr</p>
<p>Bosnia / Herzegovina Silk Trade d.o.o. Poslovnja Zona Vila Br. 20 Phone: (+387) 61 165 593 info@silktade.com.ba</p>	<p>Georgia Transporter LLC #70, Belashvili street 0159 Tbilisi, Georgia Number: (+995) 322 14 71 71 info@transporter.com.ge www.transporter.com.ge</p>	<p>Luxembourg Magasins Jules Neuberg 39, rue Jacques Stas Luxembourg-Gasperich 2549 Case Postale No. 12 Luxembourg 2010 Phone: (+352) 40 14 01 api@neuberg.lu</p>	<p>Russia / Россия "ООО «Хускварна»" 141400, Московская обл., г. Химки, улица Ленинградская, владение 39, стр.6 Бизнес Центр "Химки Бизнес Парк", помещение OB02_04 http://www.gardena.ru</p>	<p>Turkmenistan I.E. Orazmuhammedov Nurmuhammet 80 Ataturk, BERKARAR Shopping Center, Ground floor, A770, Ashgabat 744000 TURKMENISTAN Phone: (+993) 12 468859 Mob: (+993) 62 222887 info@jayhyzmat.com / bekgyev@jayhyzmat.com www.jayhyzmat.com</p>
<p>Brazil Nordtech Maquinas e Motores Ltd. Avenida Juscelino Kubitschek de Oliveira Curitiba 3003 Brazil Phone: (+55) 41 3595-9600 contato@nordtech.com.br www.nordtech.com.br</p>	<p>Greece Π.ΠΑΠΑΔΟΠΟΥΛΟΣ ΑΕΒΕ Λεωφ. Αθηνών 32 Αθήνα Τ.Κ.104 42 Ελλάδα Τηλ. (+30) 210 5193 100 info@papadopoulos.com.gr</p>	<p>Malaysia Glomedic International Sdn Bhd Jalan Ruang No. 30 Shah Alam, Selangor 40150 Malaysia Phone: (03)-7734 7997 oase@glomedic.com.my</p>	<p>Saudi Arabia SACO Takhassusi Main Road P.O. Box: 86387 Riyadh 12863 40011 Saudi Arabia Phone: (966) 11 482 8877 webmaster@saco-ksa.com</p>	<p>UAE Al-Futtaim ACE Company L.L.C Building, Al Rebat Street Festival City, Dubai 7880 UAE Phone: (+971) 4 206 6700 ace@alfuttaim.ae</p>
<p>Bulgaria AGROLAND България АД бул. 8 Декември, № 13 Офис 5 1700 Студентски град София Тел.: (+359) 24 66 6910 info@agroland.eu</p>	<p>Hong Kong Tung Tai Company 151-153 Hoi Bun Road Kwun Tong, Kowloon Hong Kong Phone: (+852) 3583 1662 admin@tungtaico.com</p>	<p>Malta I.V. Portelli & Sons Ltd. 85, 86, Triq San Pawl Rabat - RBT 1240 Phone: (+356) 2145 4289</p>	<p>Serbia Domel d.o.o. Slobodana Đurića 21 11000 Belgrade Phone: (+381) 11 409 57 12 office@domel.rs</p>	<p>Ukraine / Украина АТ «Альцест» вул Петропавлівська 4 08130, Київська обл. Києво-Святошинський р-н, с. Петропавлівська Борщагівка Україна Тел.: (+38) 0 800 503 000</p>
<p>Canada / USA GARDENA Canada Ltd. 100 Summerlea Road Brampton, Ontario L6T 4X3 Phone: (+1) 905 792 93 30 info@gardenacanada.com</p>	<p>Hungary Husqvarna Magyarországi Kft. Ezred u. 1 – 3 1044 Budapest Phone: (+36) 1 251-4161 vevoszolgalt.husqvarna@husqvarna.hu</p>	<p>Mexico AFOSA Av. Lopez Mateos Sur # 5019 Col. La Calma 45070 Zapopan, Jalisco, Mexico Phone: (+52) 33 3818-3434 isolis@afosa.com.mx</p>	<p>Singapore Hy-Ray PRIVATE LIMITED 40 Jalan Pemimpin #02-08 Tat Ann Building Singapore 577185 Phone: (+65) 6253 2277 info@hyray.com.sg</p>	<p>Uruguay FELI SA Entre Rios 1083 11800 Montevideo Phone: (+598) 2203 1844 info@felisa.com.uy</p>
<p>Chile REPRESENTACIONES JCE S.A. 2286 Avenida General Oscar Bonilla Concepcion Phone: (+56) 2 2414 2600 contacto@jce.cl</p>	<p>Iceland BYKO ehf. Skemmuvegji 2a 200 Kópavogur Phone: (+354) 515 4000 byko@byko.is</p>	<p>Moldova Convel SRL Republica Moldova, mun. Chisinau, sos. Muncesii 284 Phone: (+373) 22 857 126 www.convel.md</p>	<p>Slovak Republic Gardena Service Center Vrbno c/o Husqvarna Manufacturing CZ s.r.o. Jesenická 146 79326 Vrbno pod Prádedem Phone: 0800 154044 servis@gardena.sk</p>	<p>Uzbekistan AGROHOUSE MChJ O'zbekiston, 111112 Toshkent viloyati Toshkent tumani Hasanboy OFY, THAY yoqasida Phone: (+998)-93-5414141 (+998)-71-2096868 info@agro.house www.agro.house</p>
<p>China Husqvarna (Shanghai) Management Co., Ltd. 高世华 (上海) 管理有限公司 Jifeng Square B, No207, Song Hong Rd., Chang Ning District, Shanghai, PRC. 200335 上海市长宁区淞虹路207号明 泰广场B座307楼, 邮编: 200335</p>	<p>India B K RAMAN AND CO Plot No. 185, Industrial Area, Phase-2, Ram Darbar Chandigarh 160002 India Phone: (+91) 98140 06530 raman@jaganhardware.com</p>	<p>Mongolia Soyolj Gardening Shop Namiid Rii Ulaanbaatar 14230 Mongolia Phone: +976 7777 5080 soylj@maginet.mn</p>	<p>Slovenia Proekip 64 Rue de la Participation Casablanca-Roches Noires 20303 Morocco Phone: (+212) 661342107 hicham.hafani@proekip.ma</p>	<p>Vietnam Vision Joint Stock Company No. 09, Lot E2/D21, Ton That Thuyet Street, Dich Vong Hieu Commune Cau Giay District, Hanoi Phone: (+8424)-38462833/34 quynhnm@visionjsc.com.vn</p>
<p>Colombia Equipos de Toyama Colombia SAS Cra. 68 D N° 25 B 86 Of. 618 Edificio Torre Central Bogota Phone: +57 (1) 703 9520 +57 (1) 703 9522 serviciocliente@toyama.com.co www.toyama.com.co</p>	<p>Iran Alisham Atakhdar Company Al-Faysaleh, Near Estate Bank Mosul Phone: (+964) 78 18 18 46 75</p>	<p>Morocco Proekip 64 Rue de la Participation Casablanca-Roches Noires 20303 Morocco Phone: (+212) 661342107 hicham.hafani@proekip.ma</p>	<p>Slovenia Husqvarna Austria GmbH Industriezele 36 4010 Linz Phone: (+43) 732 77 01 01-485 service.gardena@husqvarnagroup.com</p>	<p>Zimbabwe Cutting Edge 159 Citroen Rd, Msasa Harare Phone: (+263) 8677 008685 sales@cuttingedge.co.zw</p>