

LG 400

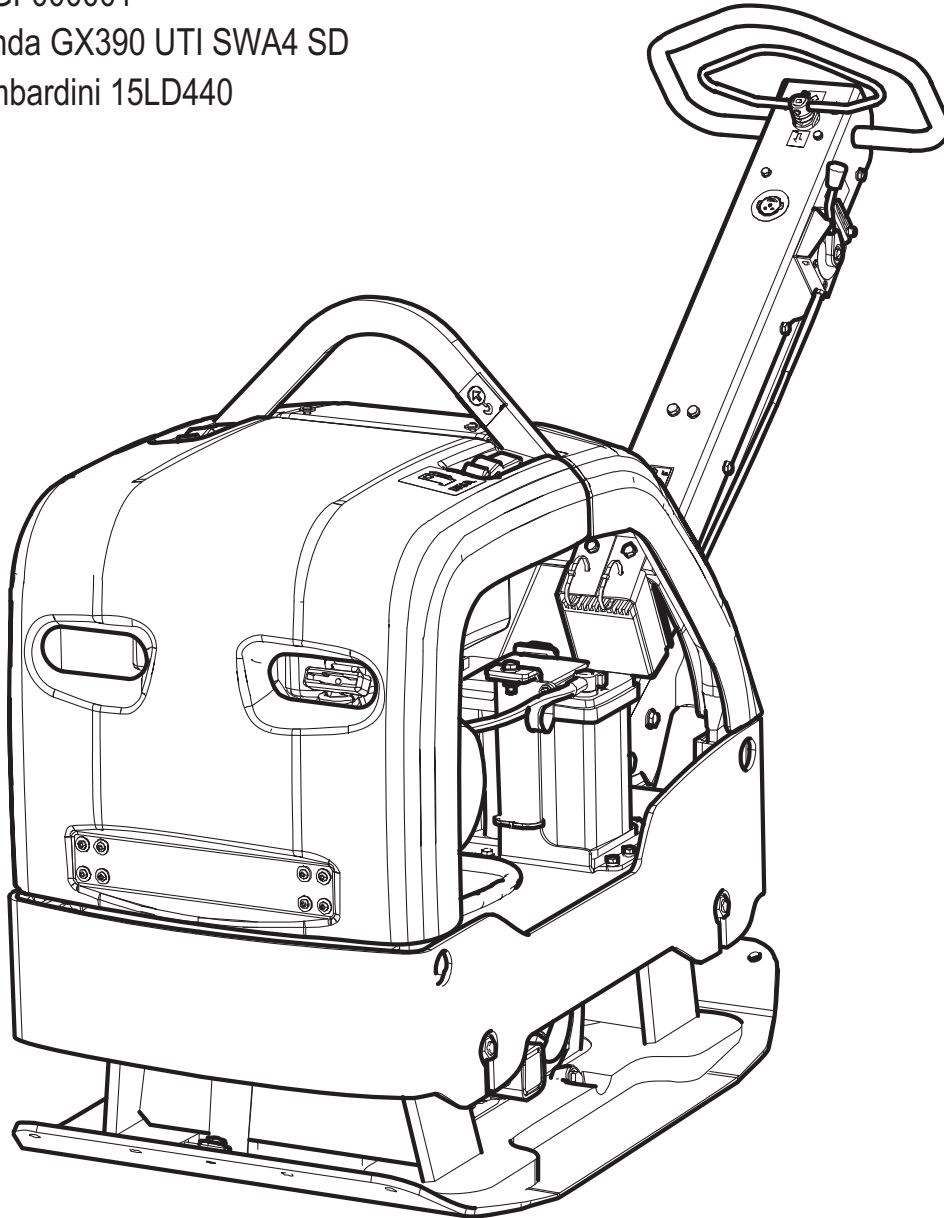
Spare parts list

Forward and reversible plate

From s/n BGF000001

Engine: Honda GX390 UTI SWA4 SD

Lombardini 15LD440



General information

This spare parts list applies to the following:

Part number	Description
3382 0000 11	Forward and reversing plate LG 400 Honda Manual start 650 mm
3382 0000 09	Forward and reversing plate LG 400 Lombardini Electric start 650 mm CE
3382 0000 49	Forward and reversing plate LG 400 Lombardini Electric start 650 mm CE Bio
3382 0000 10	Forward and reversing plate LG 400 Lombardini Electric start 650 mm EPA
3382 0000 06	Forward and reversing plate LG 400 Lombardini Electric start 650 mm CE CI
3382 0000 08	Forward and reversing plate LG 400 Lombardini Electric start 650 mm CE CI Bio
3382 0000 07	Forward and reversing plate LG 400 Lombardini Electric start 650 mm EPA CI

Use only authorized parts. Any damage or malfunction caused by the use of unauthorized parts is not covered by Warranty or Product Liability. Any unauthorized use or copying of the contents or any part thereof is prohibited. This applies in particular to trademarks, model denominations, part numbers, and drawings.

Instructions for use

This spare parts list contains no safety regulations and is merely intended to assist in the ordering of spare parts.

For information about operating, servicing, or repairing, the relevant Safety and operating instructions must be consulted at all costs.

Please observe the safety instructions listed in the relevant Safety and operating instructions!

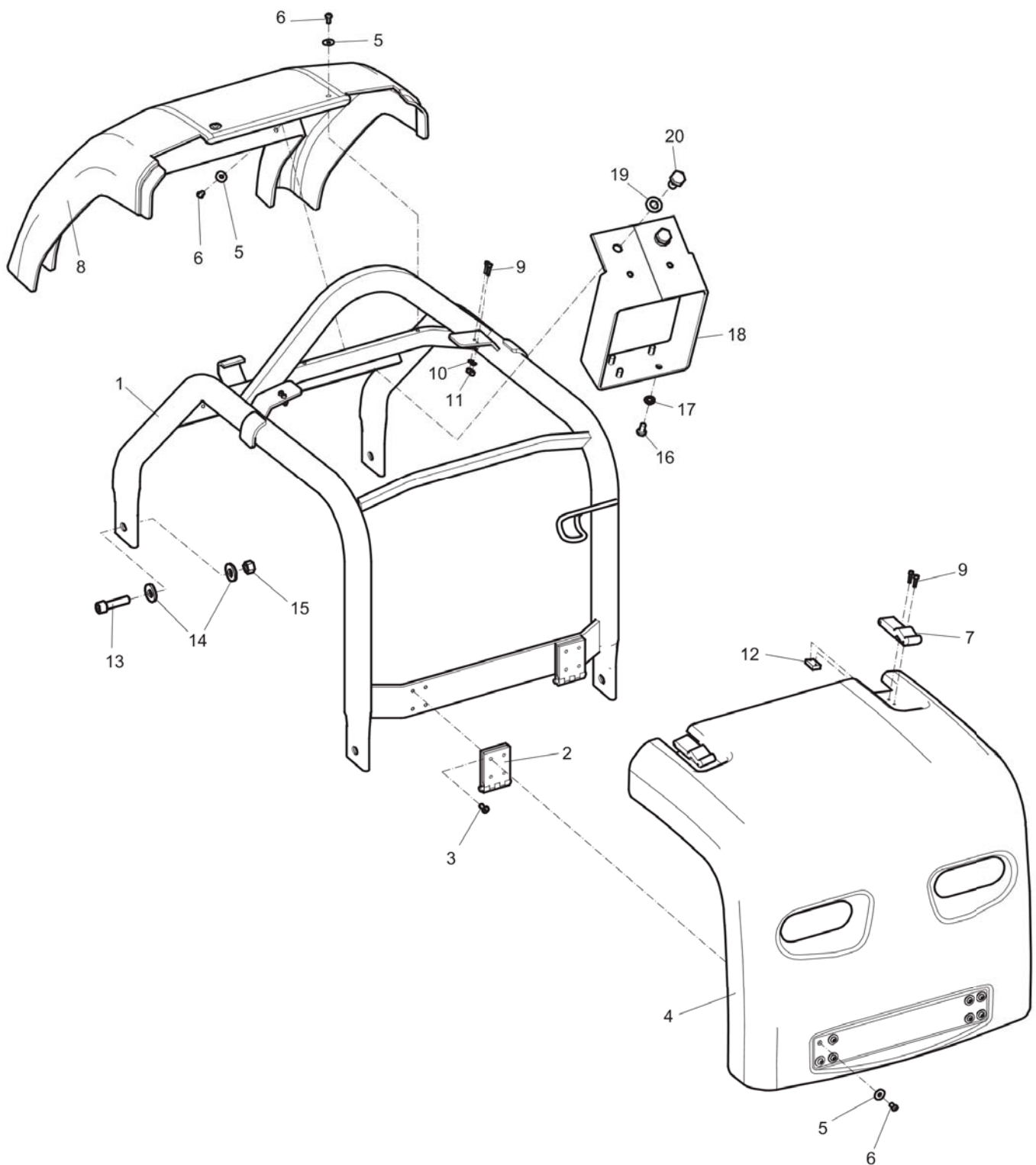
Contents

Spare parts list

Frame and hoods	1
Engine plate	3
Ground plate and eccentric element installation	5
Eccentric element	7
Engine installation, Honda	11
Engine installation, Lombardini	14
Engine, Lombardini 15 LD440, Non EPA version	18
Engine, Lombardini 15 LD440, EPA version	21
Centrifugal clutch, Honda	23
Centrifugal clutch, Lombardini	25
Belt tightner	27
Hydraulic system	29
Battery installation	33
Compaction indicator	35
Handle	37
Throttle control, Honda	39
Throttle control, Lombardini, Non EPA	41
Throttle control, Lombardini, EPA version	43
Labels	45

Kits

One year service kit, Honda	47
One year service kit, Lombardini	49
Shock absorber repair kit	51
Eccentric element repair kit	53
Forward and reverse piston repair kit	55
Compaction indicator kit	57

Spare parts list Frame and hoods

Refer to Parts Online for the most up to date information. The printed information might be outdated.

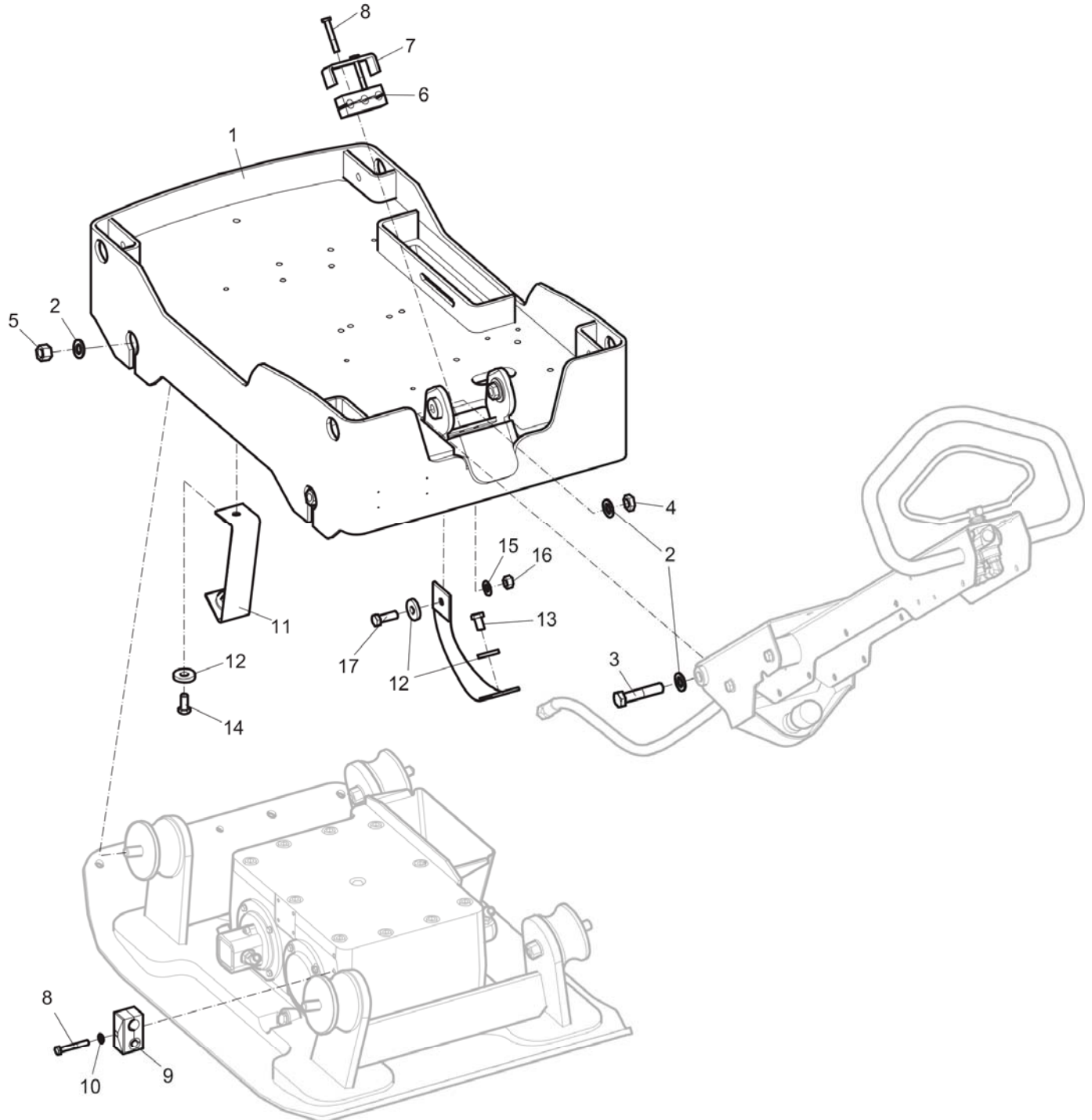
Thu Jun 18 03:35:18 MDT 2015

Item	Part No.	Name	Qty	L
1	3382010053	Protective frame	1	
2	4700381882	Hinge	2	
3	-	Screw, M6 x 16 mm A2-70	8	
4	3382010054	Front hood	1	
5	-	Washer, 6 x 18 x 2 mm, 0.24 x 0.71 x 0.08 in. 300 HV	12	
6	-	Screw, M8 x 50 mm 12.9 UNBRAKO® U-130	12	
7	4700388846	Latch, complete	2	
8	3382010055	Rear cover	1	
9	-	Screw, M4 x 16 mm 8.8 A2K	8	
10	-	Washer, 0.17 x 0.31 x 0.8 mm, 0.47 x 0.87 x 0.03 in. 300 HV	4	
11	-	Nut, M4 ISO7040	4	
12	4700387956	Lock plate	2	
13	4700904522	Screw, M12 x 45 mm 12.9 GEOMET®	1	
14	-	Washer, 13 x 30 x 4 mm, 0.51 x 1.18 x 0.16 in. 300 HV	8	
15	-	Nut, M12	4	
16	-	Screw, M5 x 10 mm 8.8 A2K	4	
17	-	Washer, 5.3 x 10 x 1 mm, 0.21 x 0.39 x 0.04 in. 300 HV	4	
18	4700397254	Bracket	1	
19	-	Washer, 8.4 x 16 x 1.5 mm, 0.33 x 0.63 x 0.06 in. 300 HV	2	
20	-	Screw, M8 x 16 mm 8.8 A2K	2	

Comments for Page: Frame and hoods

UNBRAKO is a registered trademark of Deepak Fasteners (Shannon) Limited. GEOMET is a registered trademark of Nof Metal Coatings North America Inc.

Spare parts list Engine plate



Refer to Parts Online for the most up to date information. The printed information might be outdated.

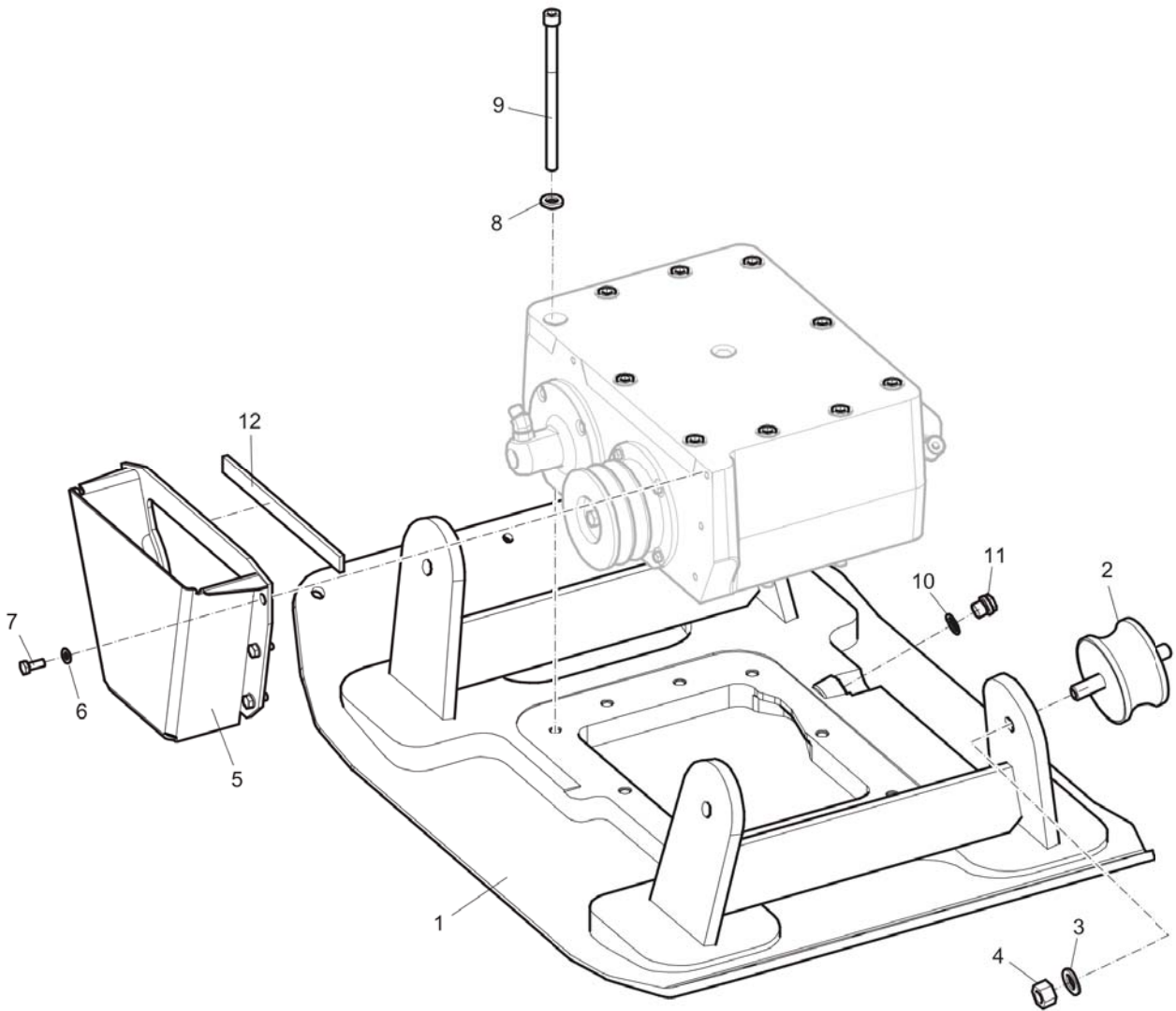
Thu Jun 18 03:35:19 MDT 2015

Item	Part No.	Name	Qty	L
1	3382010056	Engine plate	1	
2	-	Washer, 17 x 30 x 3 mm, 0.70 x 1.18 x 0.12 in. 300 HV	8	
3	4700947943	Screw, M16 x 75 mm 10.9 GEOMET®	2	
4	4700573004	Nut	2	
5	-	Nut, M16 A3K	4	
6	4700280534	Rubber block	1	
7	3382010182	Bracket	1	
8	-	Screw, M8 x 55 mm 8.8 A2K	3	
9	4700383458	Hose holder	1	
10	-	Washer, 8.4 x 16 x 1.5 mm, 0.33 x 0.63 x 0.06 in. 300 HV	1	
11	3382010059	Strap	2	
12	-	Washer, 13 x 36 x 6 mm, 0.51 x 1.42 x 0.24 in. 300 HV	4	
13	-	Screw, M8 x 20 mm 8.8 A2K	2	
14	4700500051	Hex. screw	1	
15	-	Washer, 13 x 24 x 2 mm, 0.51 x 0.98 x 0.08 in. 300 HV	1	
16	-	Nut, M12 A3K	1	
17	-	Screw, M12 x 35 mm 8.8 A3K	1	

Comments for Page: Engine plate

GEOMET is a registered trademark of Nof Metal Coatings North America Inc.

Spare parts list Ground plate and eccentric element installation



Refer to Parts Online for the most up to date information. The printed information might be outdated.

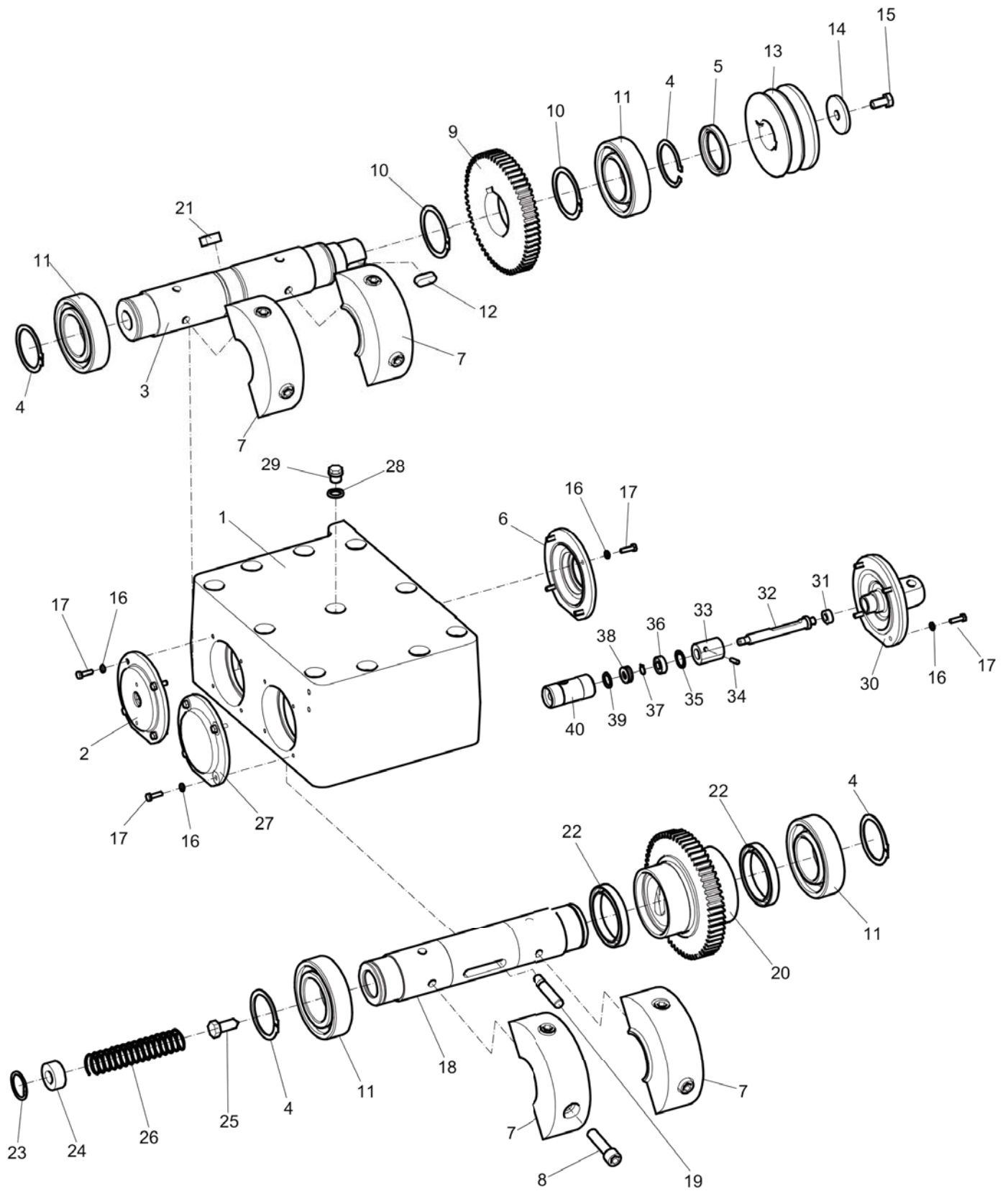
Thu Jun 18 03:35:21 MDT 2015

Item	Part No.	Name	Qty	L
1	4812070285	Ground plate	1	
2	4700280454	Shock absorber	4	
3	-	Washer, 17 x 30 x 3 mm, 0.70 x 1.18 x 0.12 in. 300 HV	4	
4	-	Nut, M16 A3K	4	
5	4812070355	V-belt cover	1	
6	-	Washer, 8.4 x 16 x 1.5 mm, 0.33 x 0.63 x 0.06 in. 300 HV	5	
7	-	Screw, M8 x 20 mm 8.8 A2K	5	
8	4700904703	Plain washer 13x24x4 mm	10	
9	4700792829	Screw, M10 x 40 mm 12.9 GEOMET®	10	A
10	4700162011	Washer, sealing	1	
11	4700232143	Plug, M16	1	

Comments for Page: Ground plate and eccentric element installation

A | GEOMET is a registered trademark of Nof Metal Coatings North America Inc.

Spare parts list Eccentric element



Refer to Parts Online for the most up to date information. The printed information might be outdated.

Thu Jun 18 03:35:22 MDT 2015

Item	Part No.	Name	Qty	L
1	4700397520	Eccentric housing	1	
2	4700379079	Cover	1	
3	4700377986	Shaft, cpl	1	
4	4700150033	Retaining ring	4	
5	4700928794	Sealing ring	1	
6	4700379080	Cover	1	
7	4700397522	Eccentric weight	4	
8	-	Screw, M12 x 45 mm 8.8 A3K	8	
9	4700378216	Gear	1	
10	4700150020	Retaining ring for shaft	2	
11	4700928786	Ball bearing	4	
12	4700928788	Key	1	
13	4700377776	Pulley	1	
14	4700280432	Washer	1	
15	-	Screw, M10 x 20 mm 8.8 A3K	1	
16	-	Washer, 6.4 x 12 x 1.5 mm, 0.25 x 0.47 x 0.06 in. 300 HV	16	
17	-	Screw, M6 x 20 mm 8.8 A2K	16	
18	4812070073	Eccentric shaft	1	
19	4700280442	Pin	1	
20	4812070093	Reverser	1	
21	4700280450	Key	1	
22	4700928796	Ball bearing	2	
23	4700928787	Retaining ring	1	
24	4700280448	Stop	1	
25	4700280449	Screw	1	
26	4700928798	Spring	1	
27	4700379081	Cover	1	
28	-	Washer, 16.7 x 24 x 1.5 mm Type A M16 , 0.66 x 4.88 x 0.06 in.	1	
29	4700232143	Plug, M16	1	
30	4812070042	Hydraulic cylinder	1	
31	4700281276	Sealing ring	1	
32	3382013057	Piston rod	1	
33	4812070043	Piston	1	
34	4700629062	Spring pin	1	
35	4700151039	Retaining ring	1	
36	4812070359	Ball bearing	1	
37	4700150002	Retaining ring	1	

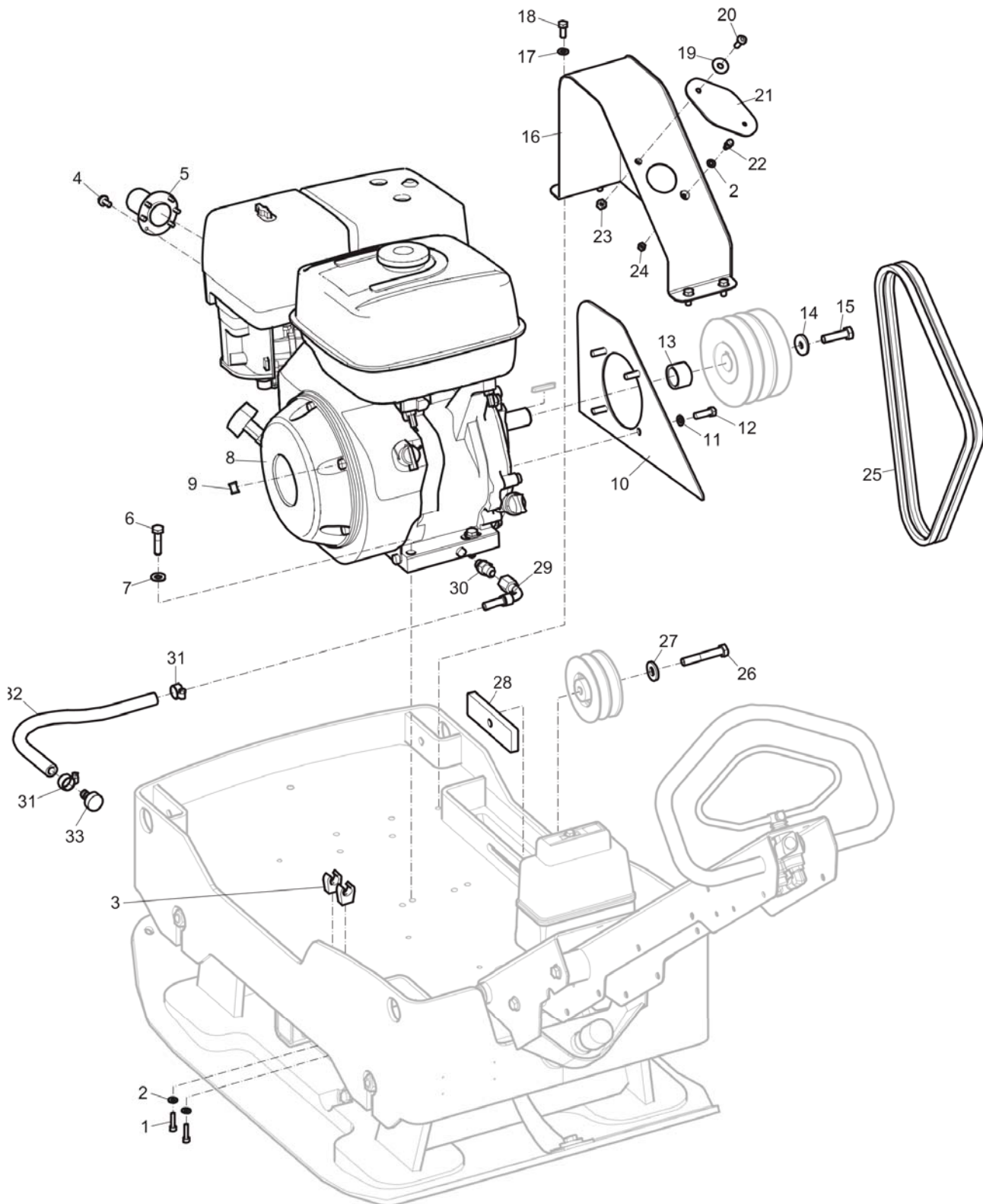
Refer to Parts Online for the most up to date information. The printed information might be outdated.

Thu Jun 18 03:35:22 MDT 2015

This page intentionally left blank

Item	Part No.	Name	Qty	L
38	4812070362	Thrust ball bearing	1	
39	4812070363	Spring washer	1	
40	4812070052	Piston	1	

Spare parts list Engine installation, Honda



Refer to Parts Online for the most up to date information. The printed information might be outdated.

Thu Jun 18 03:35:23 MDT 2015

Item	Part No.	Name	Qty	L
1	-	Screw, M6 x 25 mm 8.8 A2K	2	
2	-	Washer, 6.4 x 12 x 1.5 mm, 0.25 x 0.47 x 0.06 in. 300 HV	3	
3	4700281234	Ryw-clips	2	
4	-	Screw, M4 x 10 A2K	6	
5	4700397476	Exhaust pipe	1	
6	-	Screw, M10 x 40 mm 8.8 A3K	4	
7	-	Steel plain washer, 10.5 x 22 x 2 mm, 0.41 x 0.87 x 0.08 in. 300 HV	4	
8	4700397529	Engine, complete Honda GX390 UTI SWA4 SD	1	A
9	4700921065	Clamp	2	
10	4812070192	Belt guard, inner	1	B
11	-	Washer, 8.4 x 16 x 1.5 mm, 0.33 x 0.63 x 0.06 in. 300 HV	4	
12	-	Screw, M8 x 20 mm 8.8 A2K	4	
13	4812070223	Spacer	1	
14	4811000108	Washer	1	
15	-	Screw, M8 x 30 mm	1	
16	3382010052	V-belt cover	1	
17	-	Washer, 8.4 x 16 x 1.5 mm, 0.33 x 0.63 x 0.06 in. 300 HV	4	
18	-	Screw, M8 x 20 mm 8.8 A2K	4	
19	-	Washer, 8.4 x 25 x 2 mm, 0.33 x 0.99 x 0.08 in. 300 HV	1	
20	4700904654	Screw	1	
21	4700397282	Rubber protection	1	
22	4700792824	Ball joint	1	
23	-	Nut, M8 A2K	1	
24	-	Nut, M6 A2K	1	
25	4812070478	V-belt	2	
26	-	Screw, M12 x 70 mm 8.8 A3K	1	
27	-	Washer, 13 x 30 x 4 mm, 0.51 x 1.18 x 0.16 in. 300 HV	1	
28	4700397281	Holder	1	
29	4700792099	Connector	1	
30	4700903268	Connector	1	
31	4700313001	Hose clamp	2	
32	3382010186	Hose	1	
33	3382010180	Plug	1	

Comments for Page: Engine installation, Honda

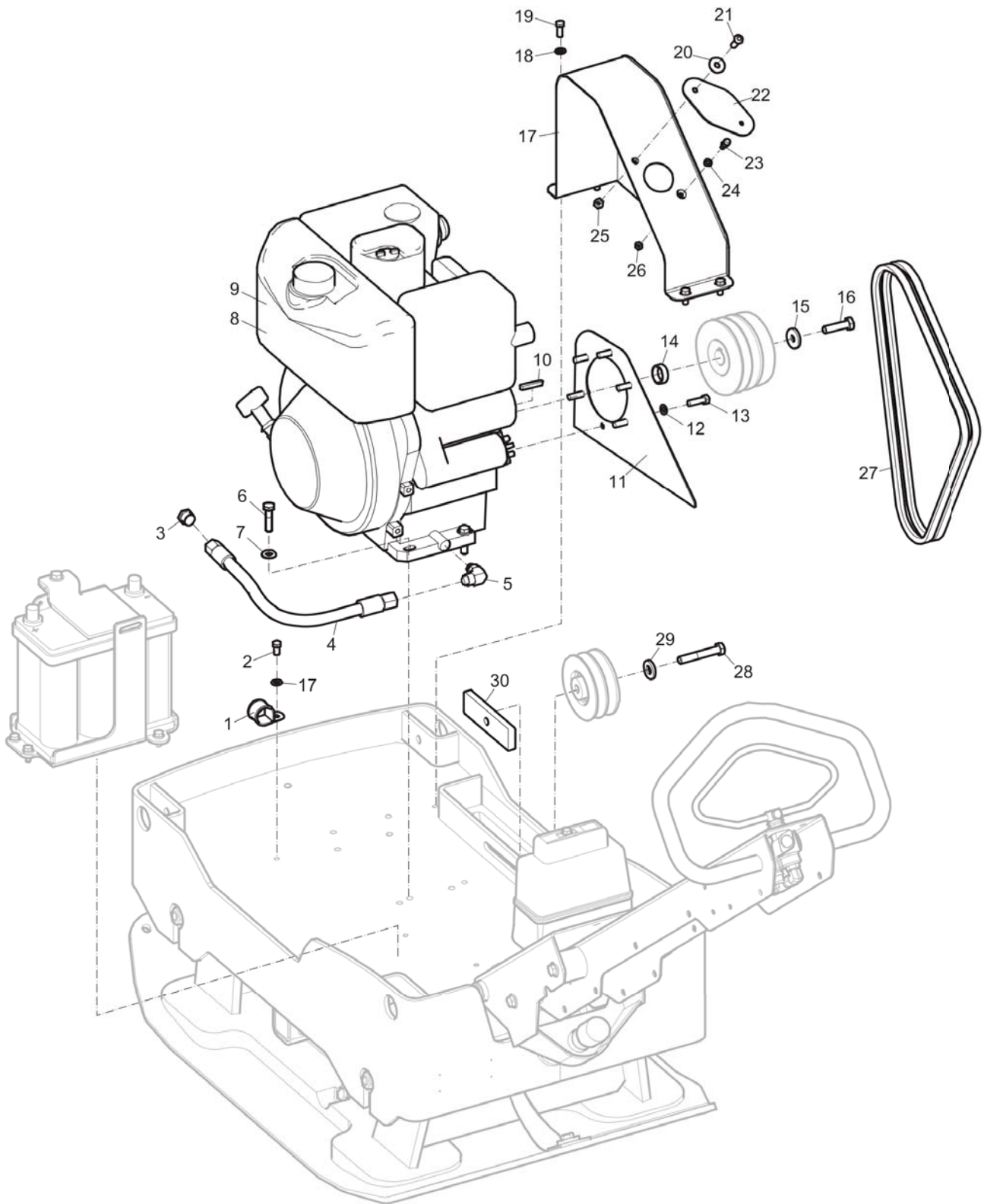
(L)OCAL REMARKS

A | Honda GX390 UTI SWA4 SD

B | Inner

Spare parts list Engine installation, Lombardini

This page intentionally left blank



Refer to Parts Online for the most up to date information. The printed information might be outdated.

Thu Jun 18 03:35:24 MDT 2015

Item	Part No.	Name	Qty	L
1	4700921044	Clamp	1	
2	-	Screw, M8 x 16 mm 8.8 A2K	1	
3	4700232095	Plug	1	
4	4700482198	Hydraulic hose	1	
5	4700904979	Elbow	1	
6	-	Screw, M10 x 40 mm 8.8 A3K	4	
7	-	Steel plain washer, 10.5 x 22 x 2 mm, 0.41 x 0.87 x 0.08 in. 300 HV	4	
8	4812070334	Engine, complete Lombardini 15LD440	1	A
9	4700397530	Engine, complete Lombardini 15LD440	1	B
10	4700350111	Key	1	
11	4812070193	Belt Guard	1	
12	-	Washer, 8.4 x 16 x 1.5 mm, 0.33 x 0.63 x 0.06 in. 300 HV	6	
13	-	Screw, M8 x 20 mm 8.8 A2K	6	
14	4700397532	Spacer	1	
15	4811000126	Washer 10.5 x 34 x 4 mm GEOMET®	1	
16	4700503025	Screw	1	
17	3382010052	V-belt cover	1	
18	-	Washer, 8.4 x 16 x 1.5 mm, 0.33 x 0.63 x 0.06 in. 300 HV	5	
19	-	Screw, M8 x 20 mm 8.8 A2K	4	
20	-	Washer, 8.4 x 25 x 2 mm, 0.33 x 0.99 x 0.08 in. 300 HV	1	
21	-	Screw, M8 x 25 mm A2-70	1	
22	4700397282	Rubber protection	1	
23	4700792824	Ball joint	1	
24	-	Washer, 6.4 x 12 x 1.5 mm, 0.25 x 0.47 x 0.06 in. 300 HV	1	
25	-	Nut, M8 A2K	1	
26	-	Nut, M6 A2K	1	
27	4700281370	V-belt	2	
28	-	Screw, M12 x 70 mm 8.8 A3K	1	
29	-	Washer, 13 x 30 x 4 mm, 0.51 x 1.18 x 0.16 in. 300 HV	1	
30	4700397281	Holder	1	

Comments for Page: Engine installation, Lombardini

GEOMET is a registered trademark of Nof Metal Coatings North America Inc.

(L)OCAL REMARKS

A | Lombardini 15LD440

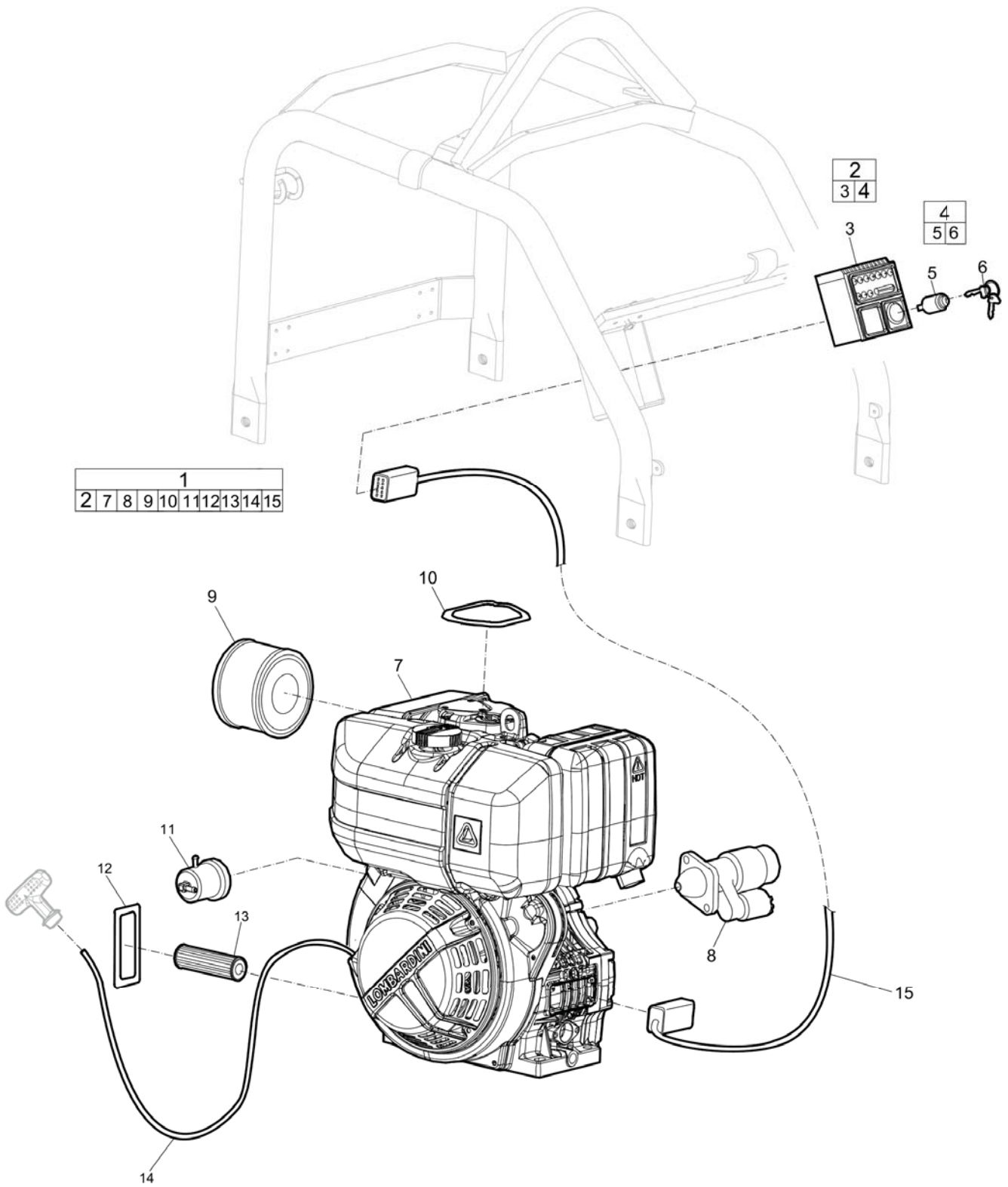
B | Lombardini 15LD440, Only for US-market

Refer to Parts Online for the most up to date information. The printed information might be outdated.

Thu Jun 18 03:35:25 MDT 2015

Spare parts list Engine, Lombardini 15 LD440, Non EPA version

This page intentionally left blank



Refer to Parts Online for the most up to date information. The printed information might be outdated.

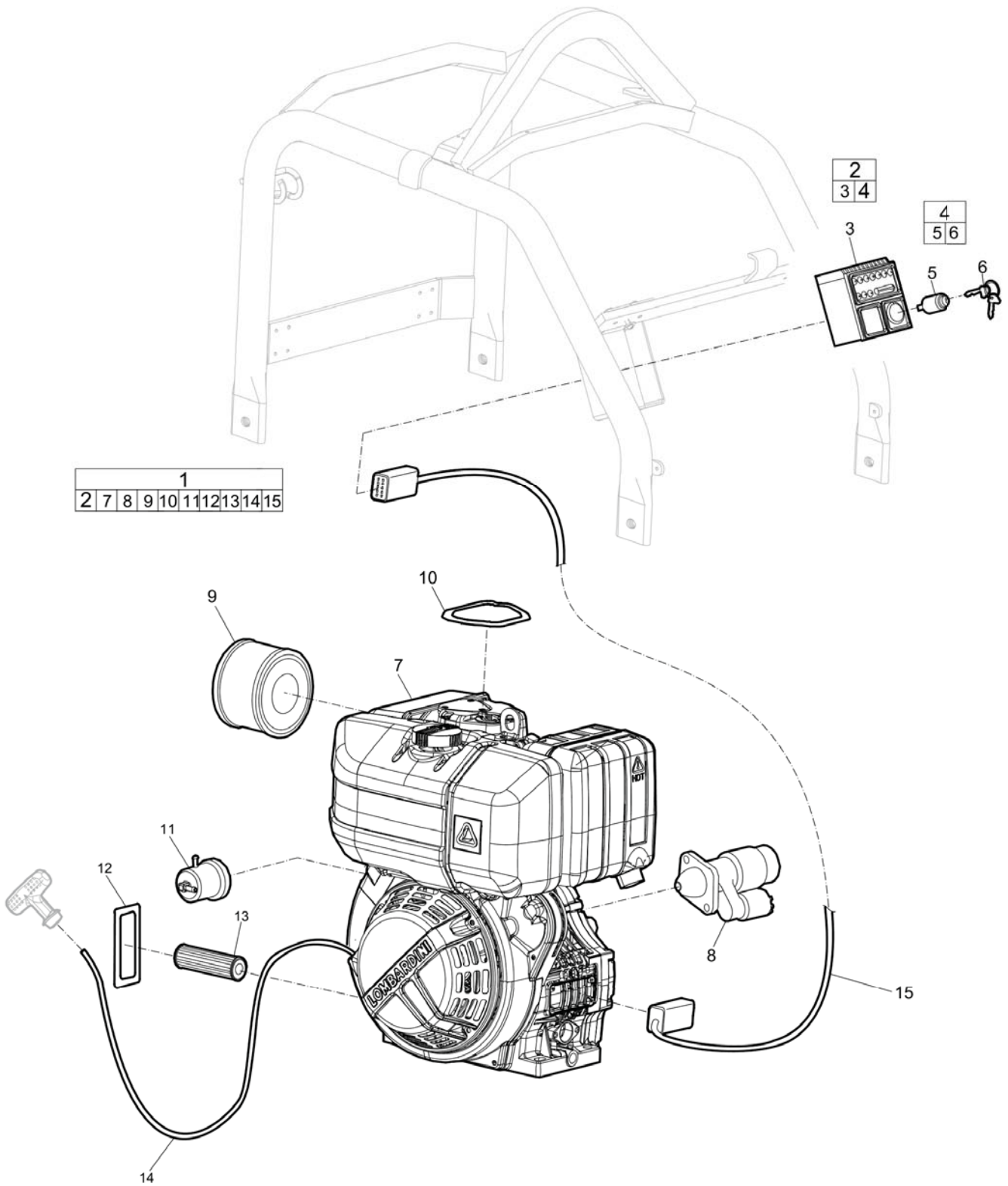
Thu Jun 18 03:35:25 MDT 2015

Item	Part No.	Name	Qty	L
1	4812070334	Engine, complete Lombardini 15LD440	1	
2	3382100322	Start box, complete	1	
3	-	Startbox	1	
4	3382100135	Igniton switch, complete	1	
5	-	Key	1	A
6	-	Ignition switch	1	A
7	-	Engine part	1	
8	3382100052	Starter	1	
9	3382100048	Air filter	1	
10	3382100051	Gasket	1	
11	3382100047	Fuel filter	1	
12	3382100050	Gasket	1	
13	3382100049	Oil filter	1	
14	-	Rope	1	
15	3382012120	Wiring harnesss	1	

Comments for Page: Engine, Lombardini 15 LD440, Non EPA version

A | Not sold seperatly

Spare parts list Engine, Lombardini 15 LD440, EPA version



Refer to Parts Online for the most up to date information. The printed information might be outdated.

Thu Jun 18 03:35:26 MDT 2015

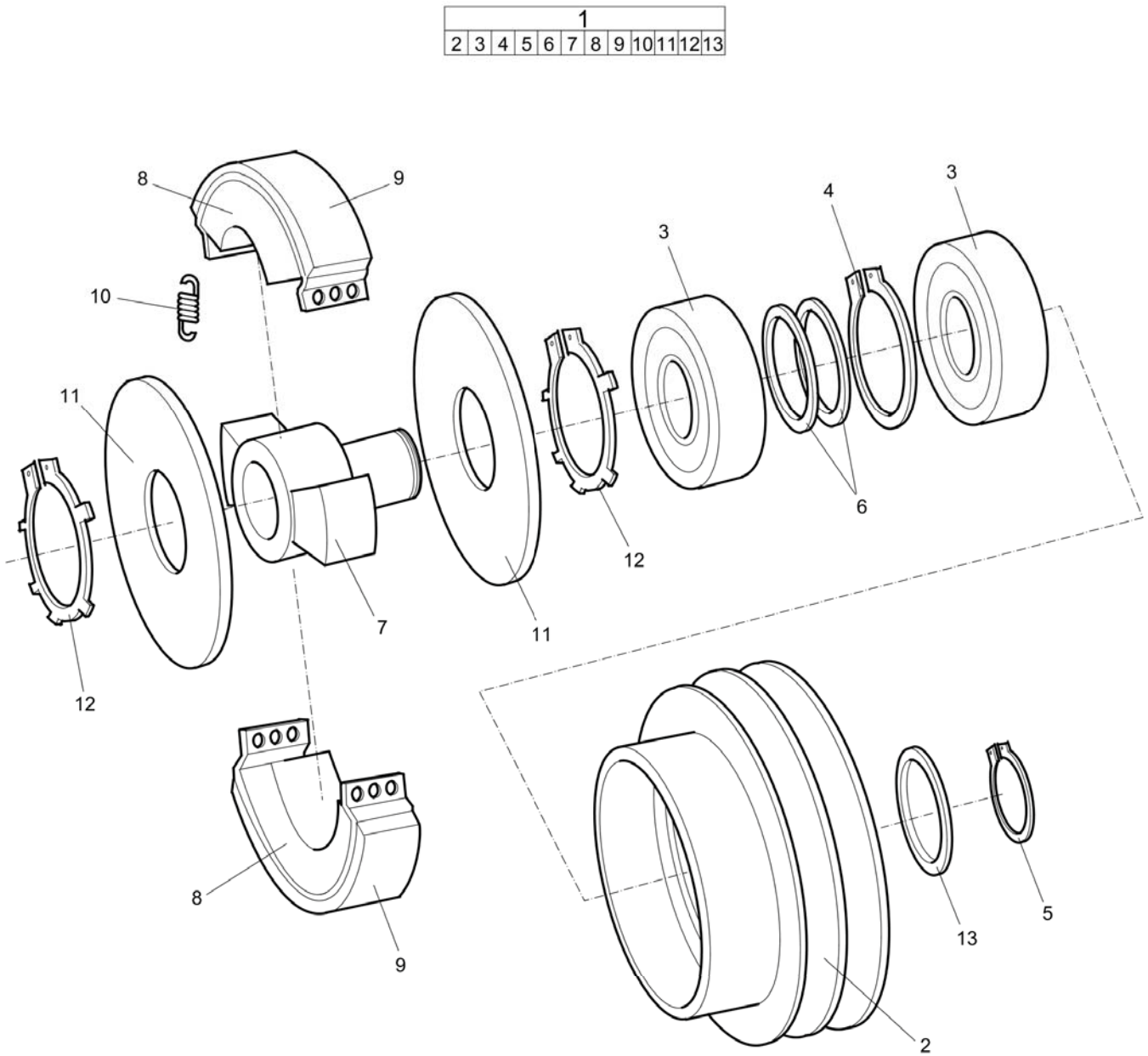
Item	Part No.	Name	Qty	L
1	4700397530	Engine, complete Lombardini 15LD440	1	A
2	3382100322	Start box, complete	1	
3	-	Startbox	1	
4	3382100135	Igniton switch, complete	1	
5	-	Key	1	B
6	-	Ignition switch	1	B
7	-	Engine	1	
8	3382100052	Starter	1	
9	3382100048	Air filter	1	
10	3382100051	Gasket	1	
11	3382100047	Fuel filter	1	
12	3382100050	Gasket	1	
13	3382100049	Oil filter	1	
14	-	Rope	1	
15	3382012120	Wiring harnesss	1	

Comments for Page: Engine, Lombardini 15 LD440, EPA version

A | Only for US-market

B | Not sold seperatly

Spare parts list Centrifugal clutch, Honda

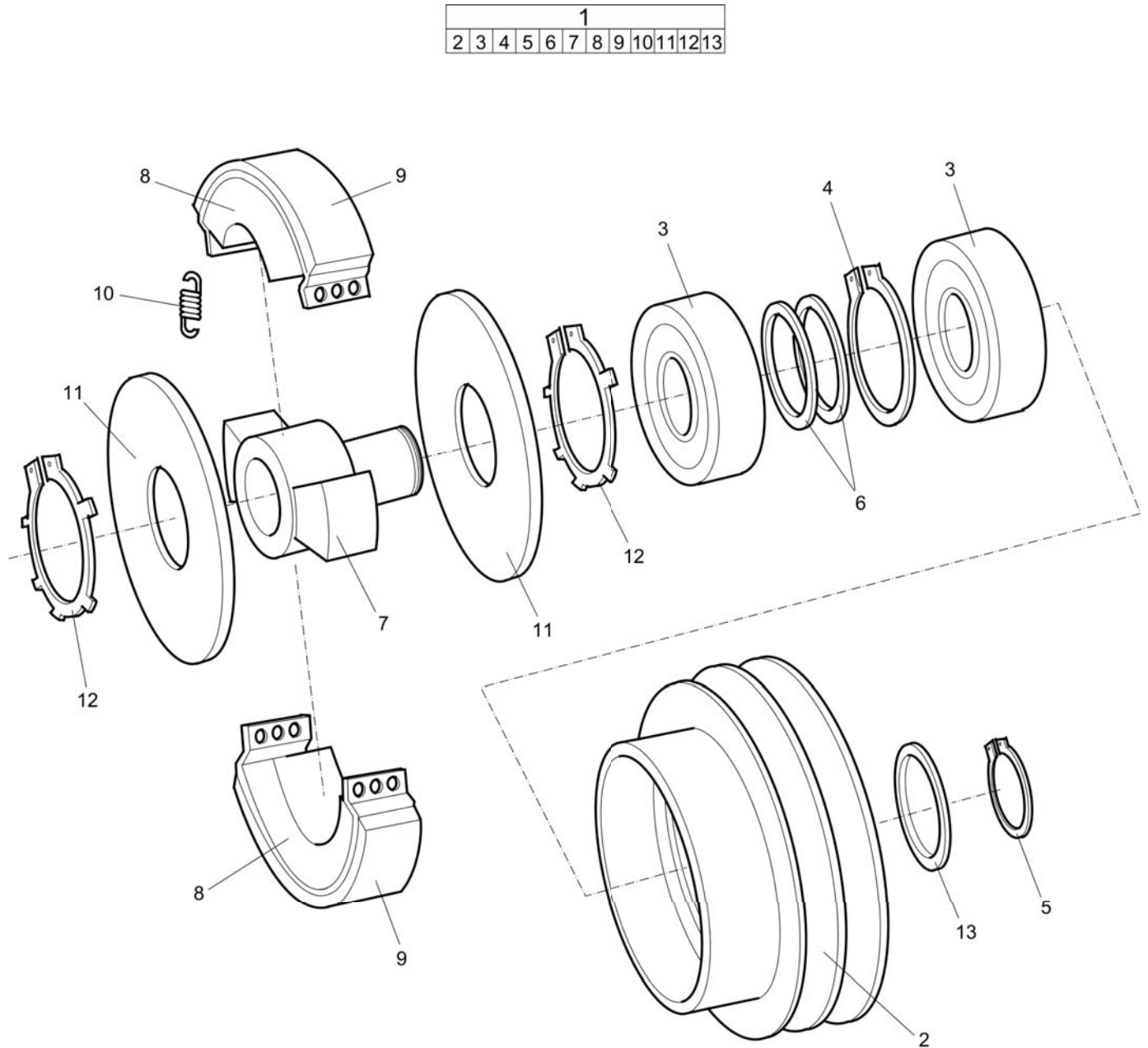


Refer to Parts Online for the most up to date information. The printed information might be outdated.

Thu Jun 18 03:35:27 MDT 2015

Item	Part No.	Name	Qty	L
1	4812070197	Centrifugal clutch, cpl	1	
2	4812155877	V-belt pulley	1	
3	4700945802	Ball bearing	2	
4	4700945810	Retaining ring	1	
5	4700935635	Retaining ring	1	
6	4700945811	Shim	2	
7	4812155876	Hub	1	
8	4700945813	Weight	2	
9	4700238206	Lining	2	
10	4812155874	Spring	4	
11	4700945814	Cover	2	
12	4700945815	Retaining ring	2	
13	4700945816	Shim	1	

Spare parts list Centrifugal clutch, Lombardini

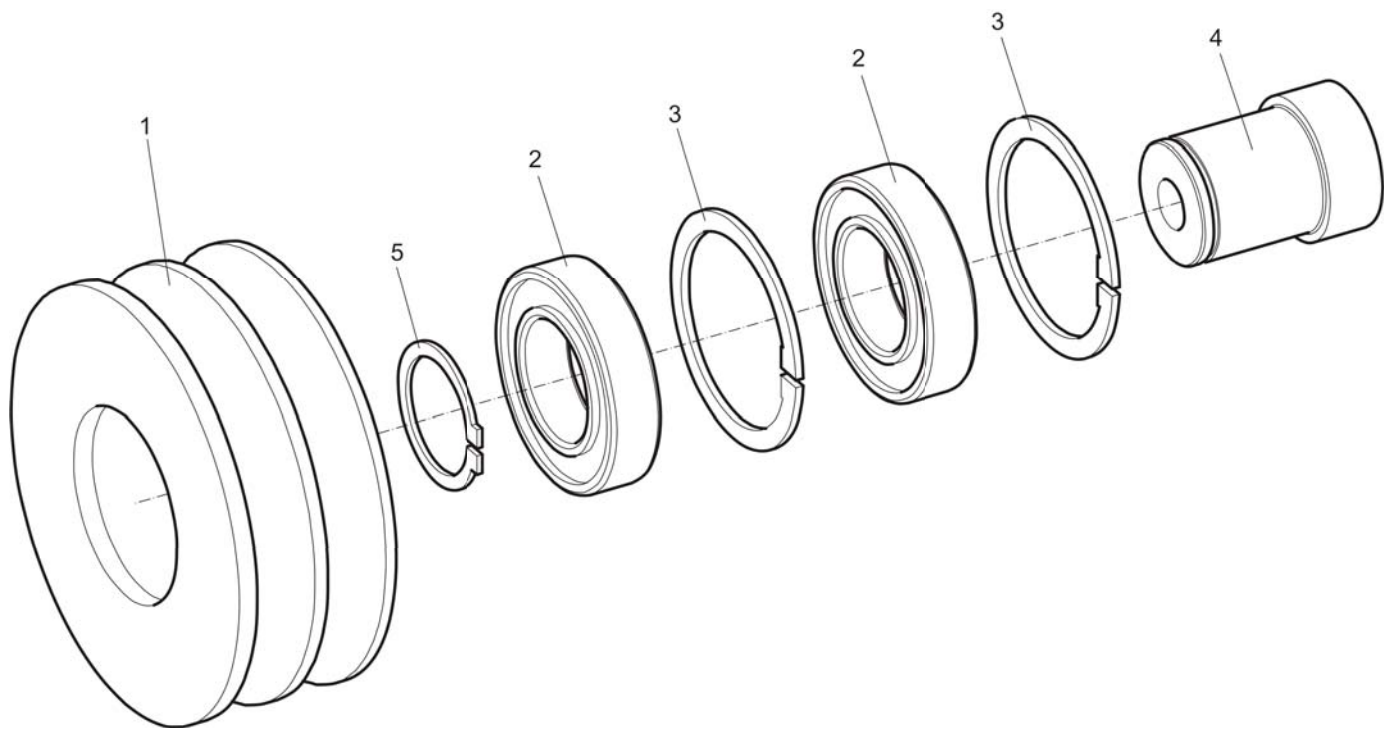


Refer to Parts Online for the most up to date information. The printed information might be outdated.

Thu Jun 18 03:35:27 MDT 2015

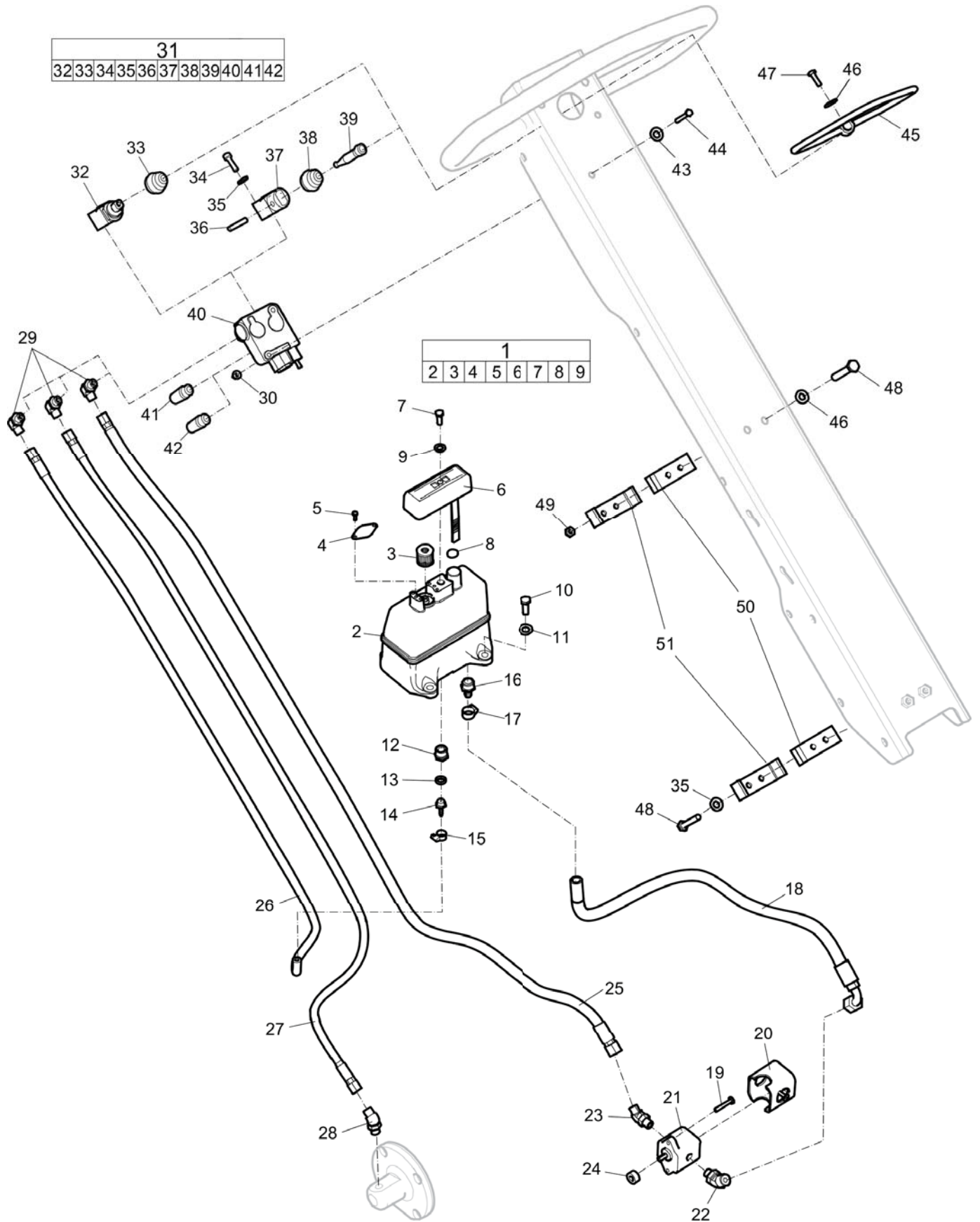
Item	Part No.	Name	Qty	L
1	4812070194	Centrifugal clutch, cpl	1	
2	4812155877	V-belt pulley	1	
3	4700945802	Ball bearing	2	
4	4700945810	Retaining ring	1	
5	4700935635	Retaining ring	1	
6	4700945811	Shim	2	
7	4812155875	Hub	1	
8	4700945813	Weight	2	
9	4700238206	Lining	2	
10	4812155874	Spring	4	
11	4700945814	Cover	2	
12	4700945815	Retaining ring	2	
13	4700945816	Shim	1	

Spare parts list Belt tightner



Item	Part No.	Name	Qty	L
1	4700380517	V-belt pulley	1	
2	4700111180	Ball bearing	2	
3	4700151019	Retaining ring	2	
4	4700397280	Shaft	1	
5	4700150012	Retaining ring for shaft	1	

Spare parts list Hydraulic system



Refer to Parts Online for the most up to date information. The printed information might be outdated.

Thu Jun 18 03:35:29 MDT 2015

Item	Part No.	Name	Qty	L
1	4700376677	Hydraulic oil tank, complete	1	
2	--	Tank	1	
3	4700381566	Air filter	1	
4	4700381563	Holder	1	
5	--	Screw, K50 x 12 mm Type KX-PT	2	
6	4700381385	Cover with oil dipstick	1	
7	--	Screw, M8 x 25 mm 8.8 A2K	1	
8	4700160110	O-ring	1	
9	--	Washer, 8.4 x 16 x 1.5 mm, 0.33 x 0.63 x 0.06 in. 300 HV	1	
10	4700500029	Hex. screw	4	
11	-	Washer, 10.5 x 22 x 2 mm, 0.41 x 0.87 x 0.08 in. 300 HV	4	
12	4700383039	Reducer	1	
13	-	Washer, 13.3 x 18.9 x 1.5 mm, 0.52 x 0.74 x 0.06 in. Copper	1	
14	4700383353	Hose coupling	1	
15	4700313108	Hose clamp	1	
16	4700383038	Hose coupling	1	
17	4700313003	Hose clamp	1	
18	4700378029	Hydraulic hose	1	
19	-	Screw, M6 x 20 mm 8.8 A2K	2	
20	4700280540	Cover	1	
21	4700383562	Hydraulic pump	1	
22	4700792253	Elbow	1	
23	4700792443	Elbow connector 45	1	A
24	4700928894	Sleeve	1	
25	4811000104	Hydraulic hose	1	B
26	4700395212	Hydraulic hose	1	C
27	4811000105	Hydraulic hose	1	D
28	4700792443	Elbow connector 45	1	E
29	4700791397	Elbow 90, O-ring	3	F
30	-	Nut, M6 x 1 mm A2K	2	
31	4700281375	Valve	1	
32	4700937924	Lever housing	1	G
33	4700936595	Rubber cover	1	G
34	3382100272	Screw	2	H
35	3382100273	Washer	4	H
36	3382100269	Pin	1	H
37	3382100268	Housing	1	H

Refer to Parts Online for the most up to date information. The printed information might be outdated.

Thu Jun 18 03:35:29 MDT 2015

This page intentionally left blank

Item	Part No.	Name	Qty	L
38	3382100271	Rubber cover	1	H
39	3382100270	Lever	1	H
40	-	Valve body	1	
41	4700938163	Measuring nipple	1	G
42	3382100288	Measuring nipple	1	H
43	-	Washer, 6.4 x 12 x 1.5 mm, 0.25 x 0.47 x 0.06 in. 300 HV	2	
44	-	Screw, M6 x 50 mm 8.8 A2K	2	
45	4812070025	Control lever	1	
46	-	Washer, 8.4 x 16 x 1.5 mm, 0.33 x 0.63 x 0.06 in. 300 HV	5	
47	-	Screw, M8 x 25 mm 8.8 A2K	1	
48	-	Screw, M8 x 50 mm 8.8 A2K	4	
49	-	Lock nut, M8	2	
50	4700280534	Rubber block	2	
51	3382010182	Bracket	2	

Comments for Page: Hydraulic system

(L)OCAL REMARKS

A | 45°

B | Connected to port "A"

C | Connected to port "T"

D | Connected to port "P"

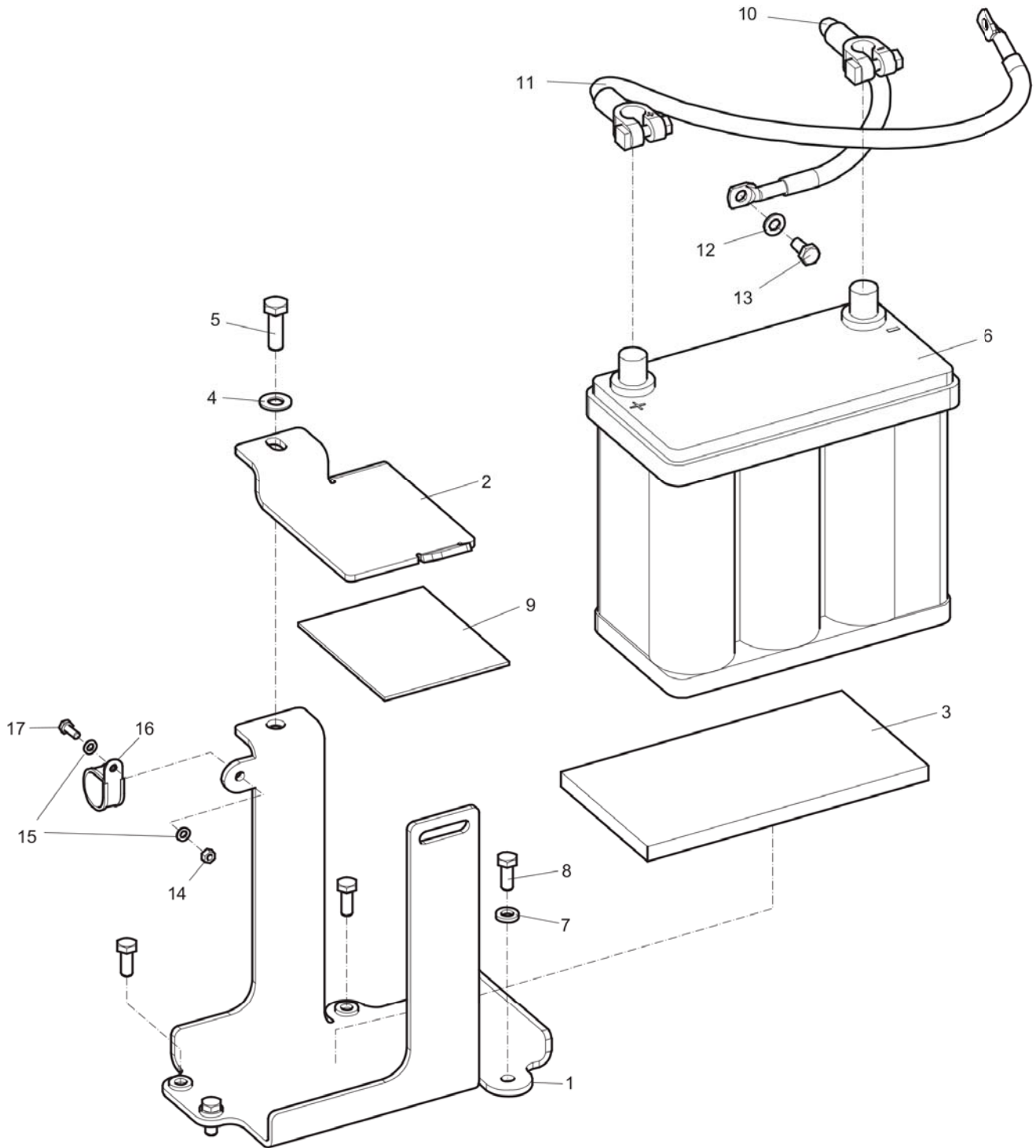
E | 45°

F | 90°, O-ring

G | Old version

H | New version. For valve, complete marked with "Caproni".

Spare parts list Battery installation



Refer to Parts Online for the most up to date information. The printed information might be outdated.

Thu Jun 18 03:35:30 MDT 2015

Item	Part No.	Name	Qty	L
1	4700395879	Holder	1	
2	4700395878	Bracket	1	
3	4700395687	Insulation	1	
4	-	Washer, 10.5 x 22 x 2 mm, 0.41 x 0.87 x 0.08 in. 300 HV	1	
5	-	Screw, M10 x 30 mm 8.8 A3K	1	
6	4700378719	Battery	1	
7	-	Washer, 8.4 x 16 x 3 mm, 0.33 x 0.63 x 0.12 in. 300 HV	4	
8	-	Screw, M8 x 20 mm 8.8 A2K	4	
9	4700395998	Rubber cloth	1	
10	4700792831	Battery cable	1	A
11	4700792830	Battry cable	1	B
12	-	Washer, 8.4 x 16 x 1.5 mm, 0.33 x 0.63 x 0.06 in. 300 HV	1	
13	-	Screw, M8 x 16 mm 8.8 A2K	1	
14	-	Nut, M8 A2K	1	
15	-	Washer, 6.4 x 12 x 1.5 mm, 0.25 x 0.47 x 0.06 in. 300 HV	2	
16	4700921084	Pipe clamp	1	
17	-	Screw, M6 x 16 mm 8.8 A2K	1	

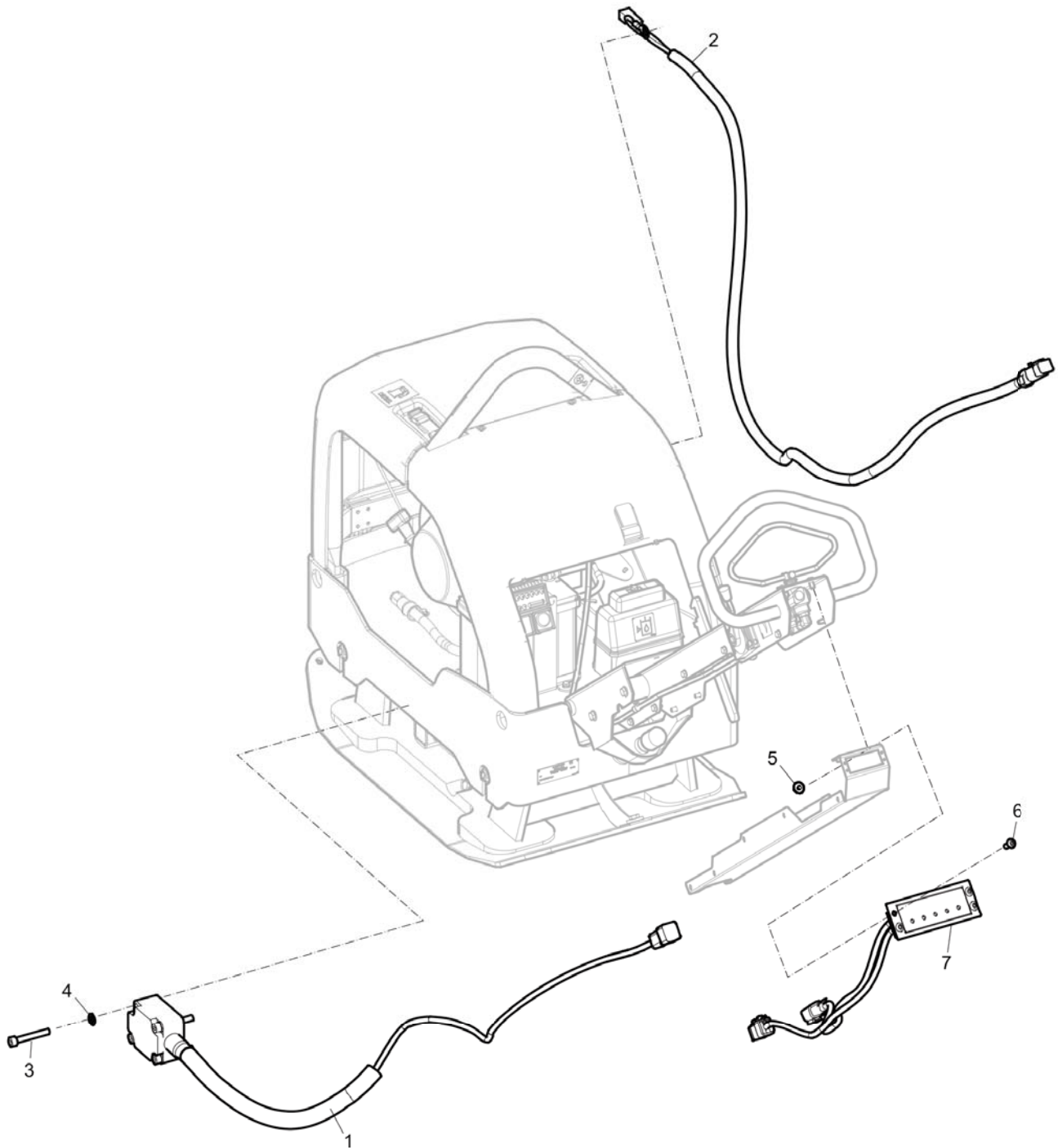
Comments for Page: Battery installation

(L)OCAL REMARKS

A | Connected to negative terminal of battery

B | Connected to positive terminal of battery

Spare parts list Compaction indicator

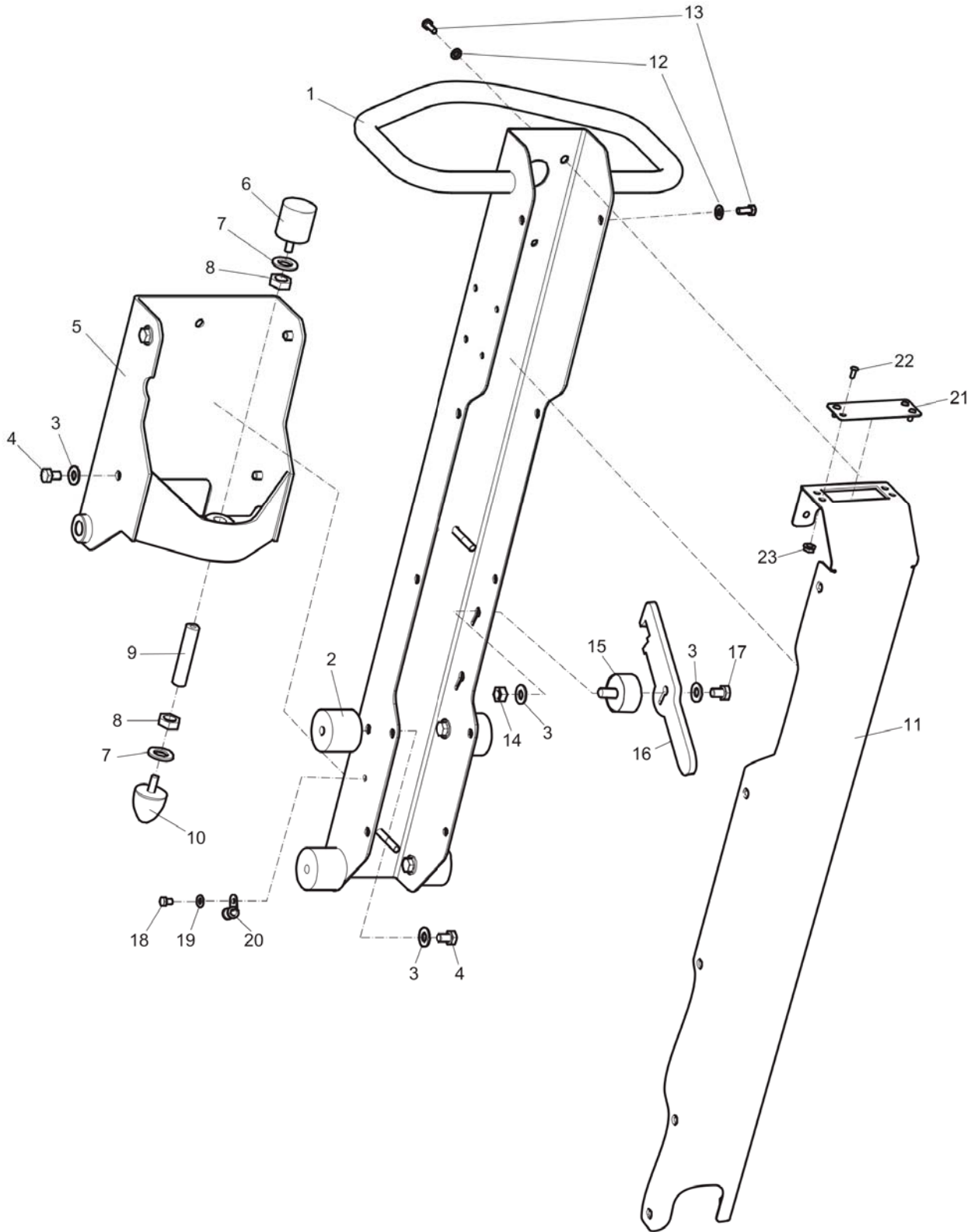


Refer to Parts Online for the most up to date information. The printed information might be outdated.

Thu Jun 18 03:35:31 MDT 2015

Item	Part No.	Name	Qty	L
1	4812070376	Measure unit	1	
2	4812070375	Wiring harness	1	
3	-	Screw, M6 x 40 mm 8.8 A2K	4	
4	-	Washer, 6.4 x 12 x 1.5 mm, 0.25 x 0.47 x 0.06 in. 300 HV	4	
5	-	Nut, M5 A2K	4	
6	-	Screw, M5 x 14 A2-70	4	
7	3382012153	Display unit	1	

Spare parts list Handle

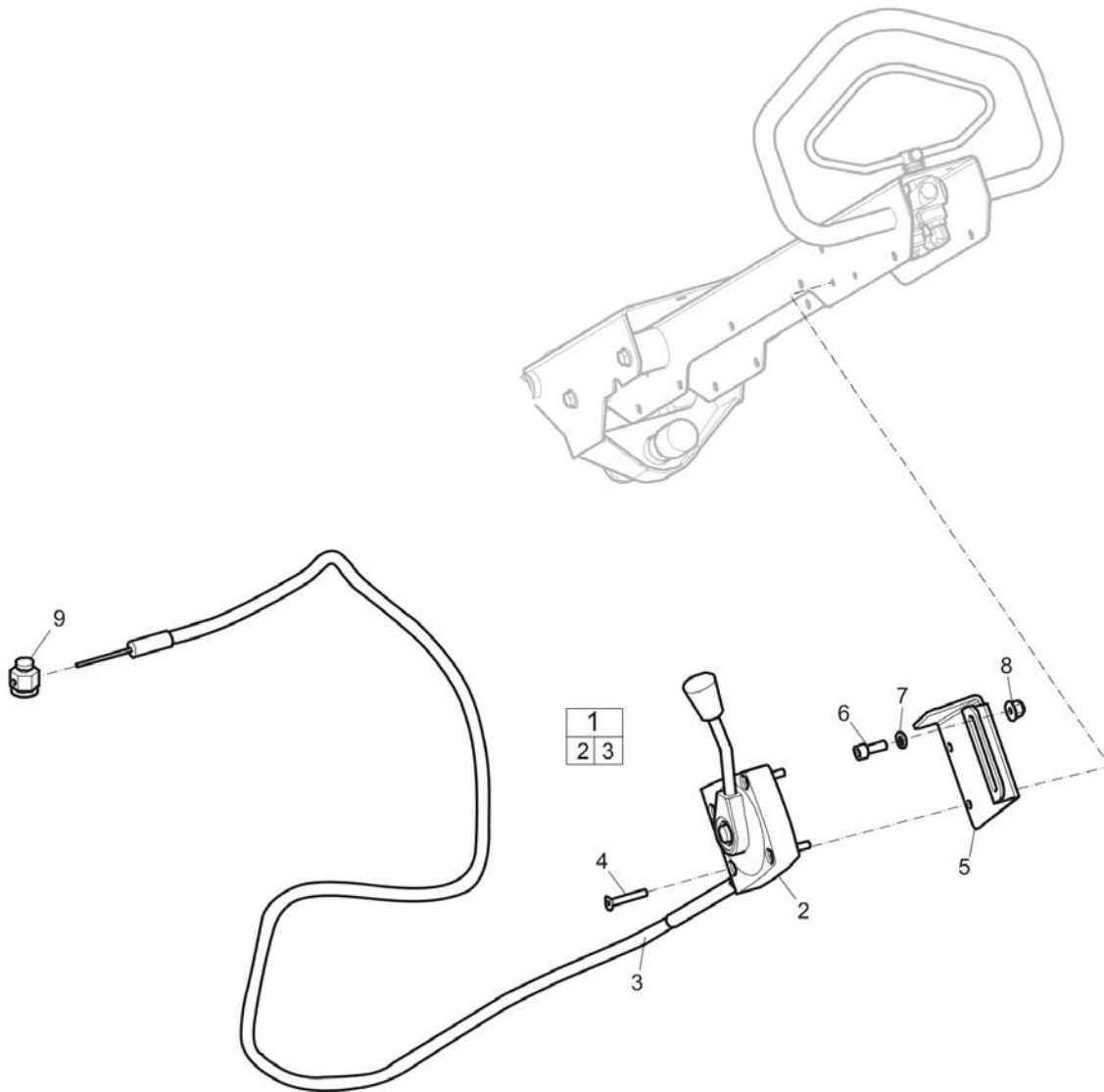


Refer to Parts Online for the most up to date information. The printed information might be outdated.

Thu Jun 18 03:35:31 MDT 2015

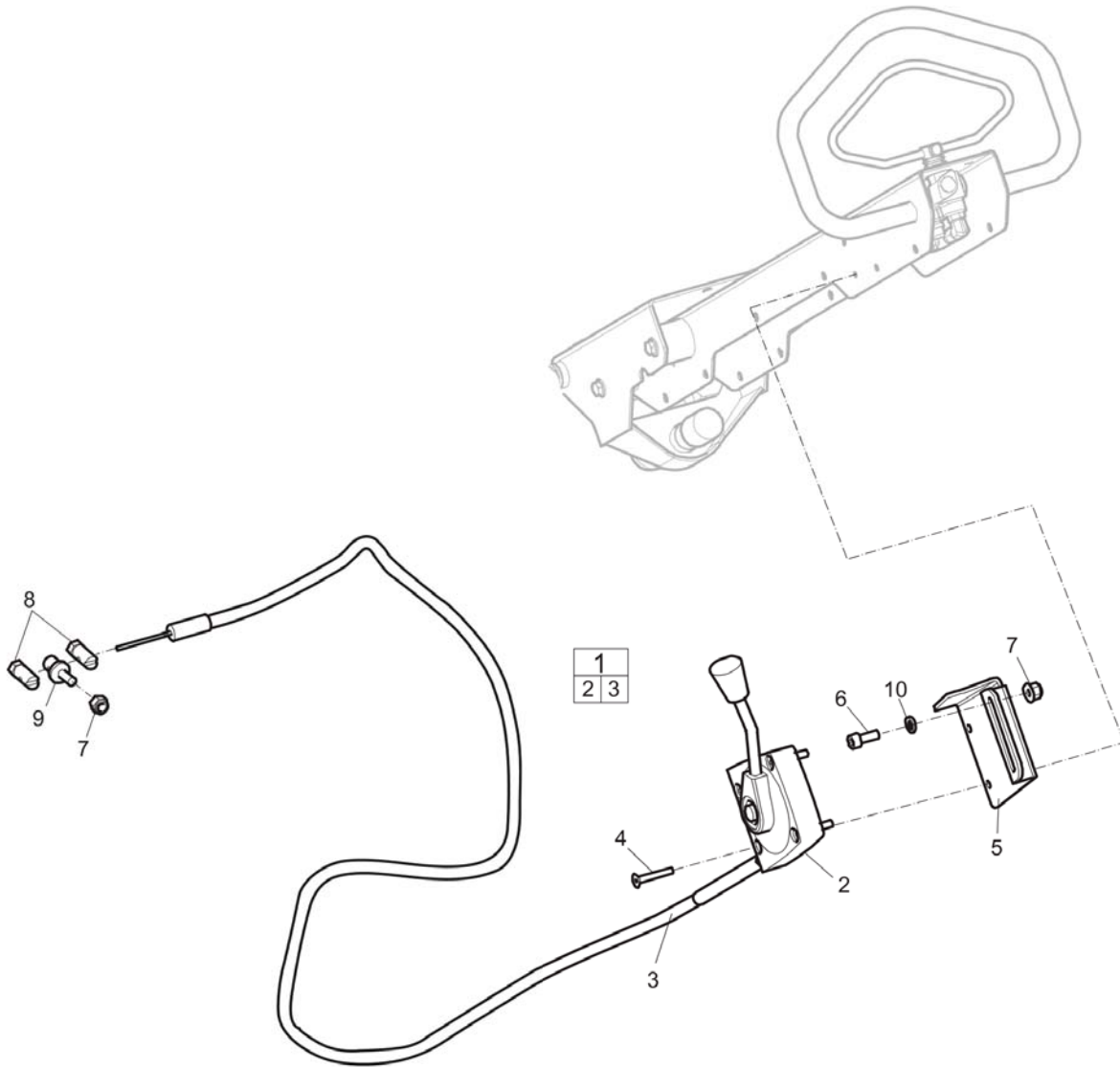
Item	Part No.	Name	Qty	L
1	3382010057	Handle	1	
2	3382010183	Shock absorber	4	
3	-	Steel plain washer, 10.5 x 22 x 2 mm, 0.41 x 0.87 x 0.08 in. 300 HV	10	
4	-	Screw, M10 x 14 mm 8.8 A3K	8	
5	3382010058	Bracket	1	
6	4700792832	Shock absorber	1	
7	-	Washer, 17 x 30 x 3 mm, 0.70 x 1.18 x 0.12 in. 300 HV	2	
8	4700573004	Nut	2	
9	4700397583	Stud	1	
10	4700792832	Shock absorber	1	
11	4700397540	Cover	1	
12	-	Washer, 8.4 x 16 x 1.5 mm, 0.33 x 0.63 x 0.06 in. 300 HV	12	
13	-	Screw, M8 x 16 mm 8.8 A2K	12	
14	-	Nut, M10 A3K	1	
15	4700385387	Shock absorber	1	
16	4700379004	Hook	1	
17	-	Screw, M10 x 20 mm 8.8 A3K	1	
18	-	Screw, M6 x 12 mm 8.8 A2K	1	
19	-	Washer, 6.4 x 12 x 1.5 mm, 0.25 x 0.47 x 0.06 in. 300 HV	1	
20	4700921065	Clamp	1	
21	4812070318	Cover	1	
22	-	Screw, M5 x 14 A2-70	4	
23	-	Nut, M5 A2K	1	

Spare parts list Throttle control, Honda



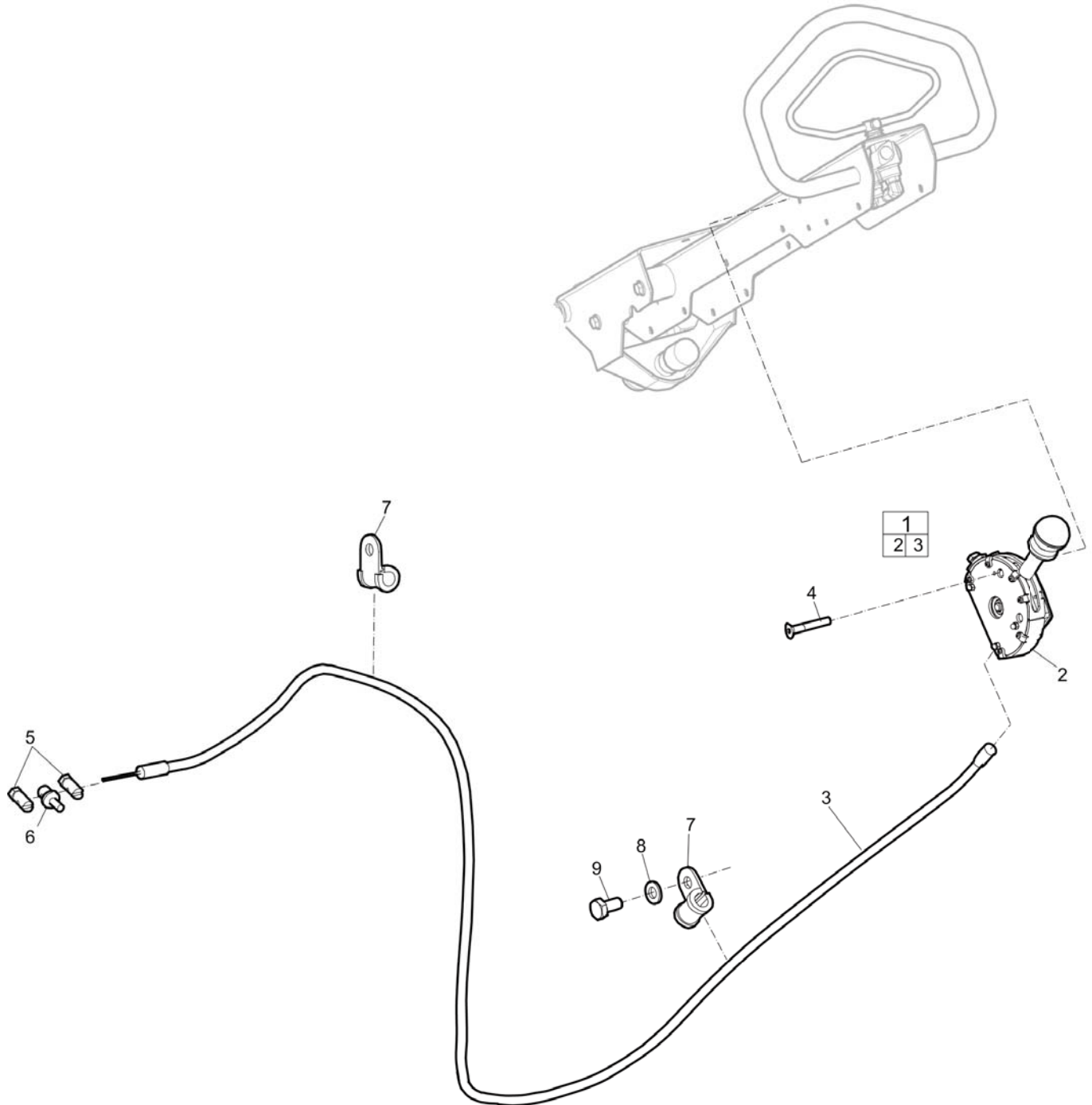
Item	Part No.	Name	Qty	L
1	4812070263	Throttle control, complete	1	
2	4700397114	Handle, complete	1	
3	4812070264	Control cable	1	
4	-	Screw, M5 x 30 mm A2-70	4	
5	4812070115	Throttle control bracket	1	
6	-	Screw, M6 x 16 mm 8.8 A2K	1	
7	-	Washer, 6.4 x 12 x 1.5 mm, 0.25 x 0.47 x 0.06 in. 300 HV	1	
8	-	Nut, M6 x 1 mm A2K	1	
9	4812070292	Holder	1	

Spare parts list Throttle control, Lombardini, Non EPA



Item	Part No.	Name	Qty	L
1	4812070265	Throttle control	1	
2	4700397114	Handle, complete	1	
3	4812070479	Control cable	1	
4	-	Screw, M5 x 30 mm A2-70	4	
5	4812070115	Throttle control bracket	1	
6	-	Screw, M6 x 16 mm 8.8 A2K	1	
7	-	Nut, M6 x 1 mm A2K	2	
8	4700281236	Nipple	2	
9	4812070282	Nipple	1	
10	-	Washer, 6.4 x 12 x 1.5 mm, 0.25 x 0.47 x 0.06 in. 300 HV	1	

Spare parts list Throttle control, Lombardini, EPA version



Refer to Parts Online for the most up to date information. The printed information might be outdated.

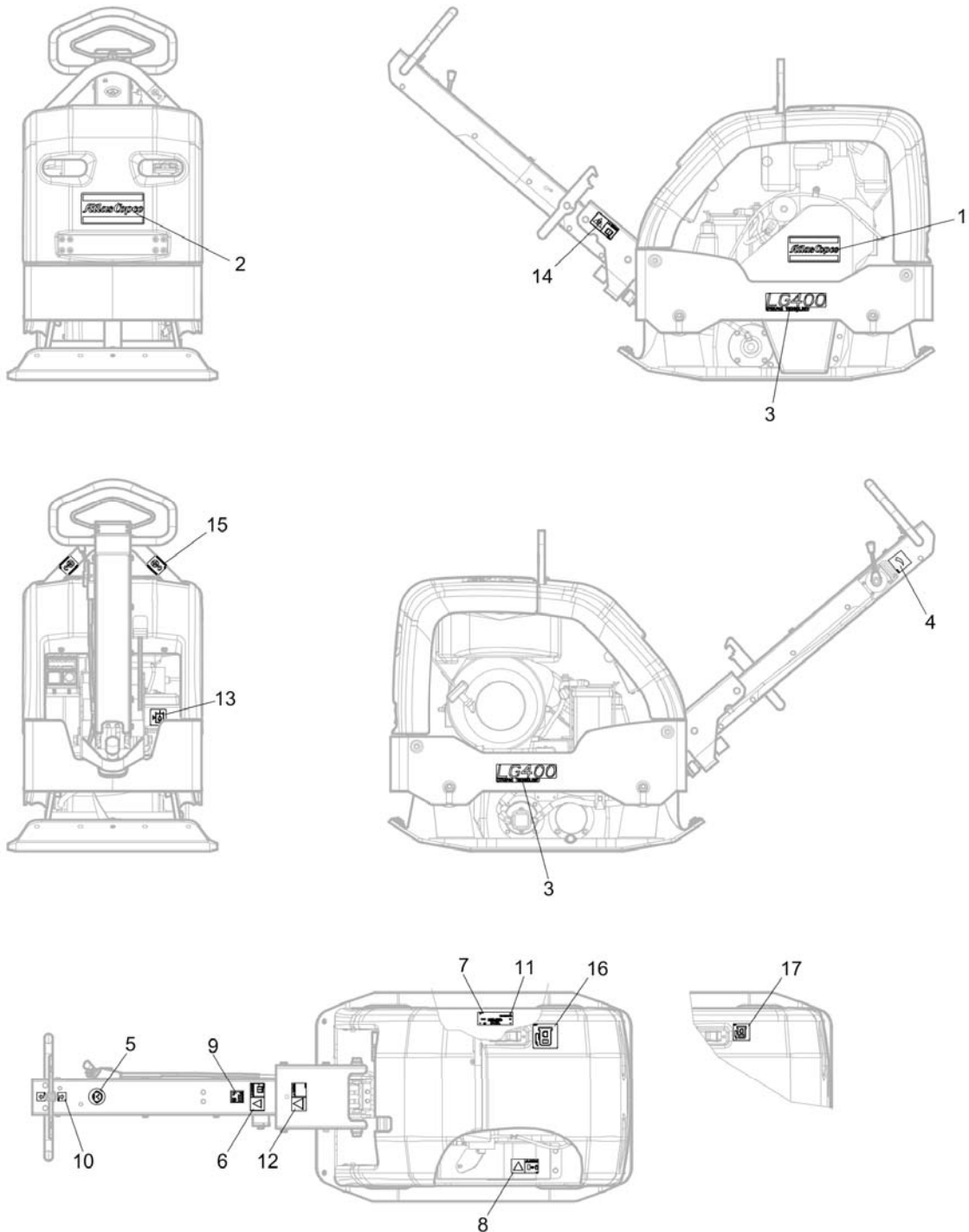
Thu Jun 18 03:35:33 MDT 2015

Item	Part No.	Name	Qty	L
1(2-3)	3382012114	Throttle control, complete	1	A
2	-	Handle	1	
3	3382100295	Throttle cable	1	
4	-	Screw, M5 x 30 mm A2-70	4	
5	4700281236	Nipple	2	
6	4812070282	Nipple	1	
7	4700921065	Clamp	2	
8	-	Washer, 6.4 x 12 x 1.5 mm, 0.25 x 0.47 x .006 in.	1	
9	-	Screw	1	

Comments for Page: Throttle control, Lombardini, EPA version

A | EPA (US Environmental Protection Agency) throttle control with three fixed positions.

Spare parts list Labels



Refer to Parts Online for the most up to date information. The printed information might be outdated.

Thu Jun 18 03:35:34 MDT 2015

Item	Part No.	Name	Qty	L
1	3382010060	Product label	1	A
2	3382010022	Product label, "Atlas Copco"	1	B
3	3382010061	Product Label	2	C
4	4700284285	Label, engine speed	1	D
5	4700281898	Label, use ear protectors	1	E
6	4700904680	Safety label, read instruction manual	1	F
7	-	Data plate	1	
8	4700903832	Safety decal	1	G
9	4700791296	Sound power label	1	
10	4700284278	Label, direction	2	H
11	-	Drive screw	4	
12	4700904785	Safety label, risk of crushing	1	I
13	4700272373	Label, hydraulic oil level	1	J
14	4700791366	Safety label, lock handle	1	K
15	4700357587	Label lifting point	2	L
16	4700991658	Decal "FUEL"	1	M
17	4700381371	Decal "FUEL"	1	N

Comments for Page: Labels

(L)OCAL REMARKS

A | "Atlas Copco"

B | "Atlas Copco"

C | "LG 400"

D | Engine speed

E | Ear protection

F | Read the Safety and operating instructions

G | Rotating V-belts

H | Direction

I | Crush zone

J | Hydraulic oil level

K | Lock handle

L | Lifting point

M | Diesel fuel

N | Petrol fuel

Kits One year service kit, Honda

NO EXPLODED VIEW
AVAILABLE
FOR THIS BOM

Item	Part No.	Name	Qty	L
1	3382100053	One year service kit	1	
1	3382100055	Air filter	5	
2	3382100058	Gasket	1	A
3	3382100056	Starting rope	1	
4	3382100054	Spark plug	1	
5	4812070478	V-belt	2	B
6	3382100057	Gasket	1	C

Comments for Page: One year service kit, Honda

A | For oil drain plug.

B | See section "Engine installation".

C | For valve cover.

Kits One year service kit, Lombardini

NO EXPLODED VIEW
AVAILABLE
FOR THIS BOM

Item	Part No.	Name	Qty	L
1	3382100027	One year service kit	1	
1	3382100048	Air filter	5	
2	3382100047	Fuel filter	5	
3	3382100050	Gasket	1	A
4	4700904776	V-belt	2	
4	4700281370	V-belt	2	B
5	3382100051	Gasket	1	C
6	3382100049	Oil filter	5	

Comments for Page: One year service kit, Lombardini

A | For oil filter cover.

B | See section "Engine installation"

C | For valve cover.

Kits Shock absorber repair kit

NO EXPLODED VIEW
AVAILABLE
FOR THIS BOM

Item	Part No.	Name	Qty	L
1	3382100032	Shock absorber repair kit	1	
-	4700280454	Shock absorber	4	A
Not Shown	-	Nut, M16 A3K, See section "Ground plate and eccentric element installation".	8	
Not Shown	-	Washer, 13 x 30 x 4 mm, 0.51 x 1.18 x 0.16 in. 300 HV, See section "Ground plate and eccentric element installation".	8	
-	3382010183	Shock absorber	4	B
Not Shown	-	Screw, M10 x 14 mm 8.8 A3K, See section "Handle".	8	
Not Shown	-	Washer, 10.5 x 22 x 2 mm, 0.41 x 0.87 x 0.08 in. 300 HV, See section "Handle".	8	
-	4700792833	Shock absorber	1	B
-	4700792832	Shock absorber	1	B
Not Shown	-	Nut, M16 A3K, See section "Handle".	2	
-	4700385387	Shock absorber	1	C
Not Shown	-	Screw, M10 x 20 mm 8.8 A3K, See section "Handle".	1	
Not Shown	-	Washer, 13 x 30 x 4 mm, 0.51 x 1.18 x 0.16 in. 300 HV, See section "Handle".	2	
Not Shown	-	Washer, 10.5 x 22 x 2 mm, 0.41 x 0.87 x 0.08 in. 300 HV, See section "Handle".	1	

Comments for Page: Shock absorber repair kit

(L)OCAL REMARKS

A | For ground plate.

B | For handle.

C | For hook.

Kits Eccentric element repair kit

NO EXPLODED VIEW
AVAILABLE
FOR THIS BOM

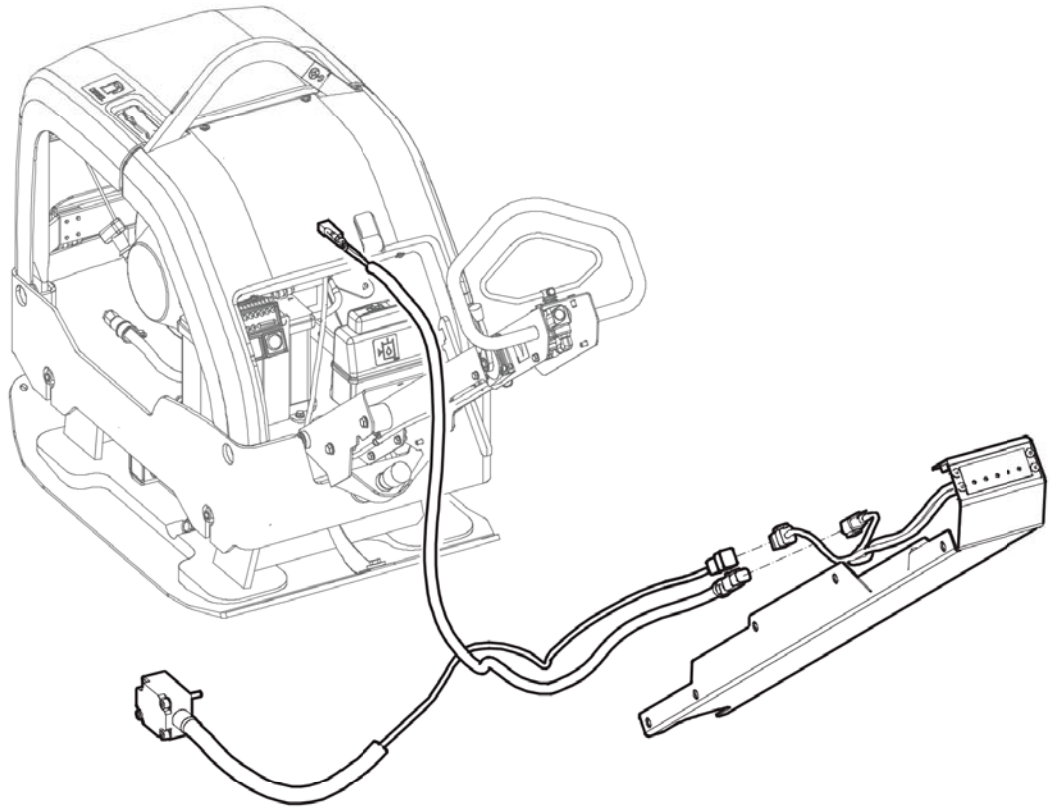
Item	Part No.	Name	Qty	L
1	3382100037	Eccentric element repair kit	1	
-	4700928794	Sealing ring	1	
-	4700928786	Ball bearing	4	
Not Shown	-	Washer, 6.4 x 12 x 1.5 mm, 0.25 x 0.47 x 0.06 in. 300 HV, See section "Eccentric element".	16	
Not Shown	-	Screw, M6 x 20 mm 8.8 A2K, See section "Eccentric element".	16	
Not Shown	-	Copper washer, 16.7 x 24 x 1.5 mm, 0.66 x 0.94 x 0.06 in. TYPE A, M16, See section "Eccentric element".	1	
-	4700928787	Retaining ring	1	
-	4700929906	Packing	1	
-	4700928796	Ball bearing	2	

Kits Forward and reverse piston repair kit

NO EXPLODED VIEW
AVAILABLE
FOR THIS BOM

Item	Part No.	Name	Qty	L
1	3382100035	Forward and reverse piston repair kit	1	
-	4700281276	Sealing ring	1	
-	4812070044	Piston rod	1	
-	4700151039	Retaining ring	1	
-	4812070359	Ball bearing	1	
-	4700150002	Retaining ring	1	
-	4812070362	Thrust ball bearing	1	
-	4812070363	Spring washer	1	
-	4812070042	Hydraulic cylinder	1	
-	4700629062	Spring pin	1	
Not Shown	-	Washer, 6.4 x 12 x 1.5 mm, 0.25 x 0.47 x 0.06 in. 300 HV, See section "Eccentric element".	4	
Not Shown	-	Screw, M6 x 20 mm 8.8 A2K, See section "Eccentric element".	4	

Kits Compaction indicator kit



Item	Part No.	Name	Qty	L
1	4812070691	Compaction indicator kit	1	
Not Shown	-	Compaction indicator	1	A
Not Shown	-	Compaction indicator display	1	
Not Shown	-	Wiring harness	1	
Not Shown	-	Screw, M6 x 40 mm 8.8 A2K	4	
Not Shown	-	Washer, 6.4 x 12 x 1.5 mm, 0.25 x 0.47 x 0.06 in. 300 HV	4	
Not Shown	-	Pipe clamp	1	
Not Shown	-	Pipe clamp	3	
Not Shown	-	Pipe clamp	3	
Not Shown	-	Nut, M5 A2K	4	
Not Shown	-	Screw, M5 x 14 A2-70	4	
Not Shown	-	Sealing compound	1	
Not Shown	-	Lock fluid	1	
Not Shown	-	Cable tie	8	

Comments for Page: Compaction indicator kit

(L)OCAL REMARKS

A | Mounted on the eccentric element

Any unauthorized use or copying of the contents or any part thereof is prohibited.
This applies in particular to trademarks, model denominations, part numbers, and
drawings.

