



GB



# SPARE PARTS LIST

## HTC GL 25/35





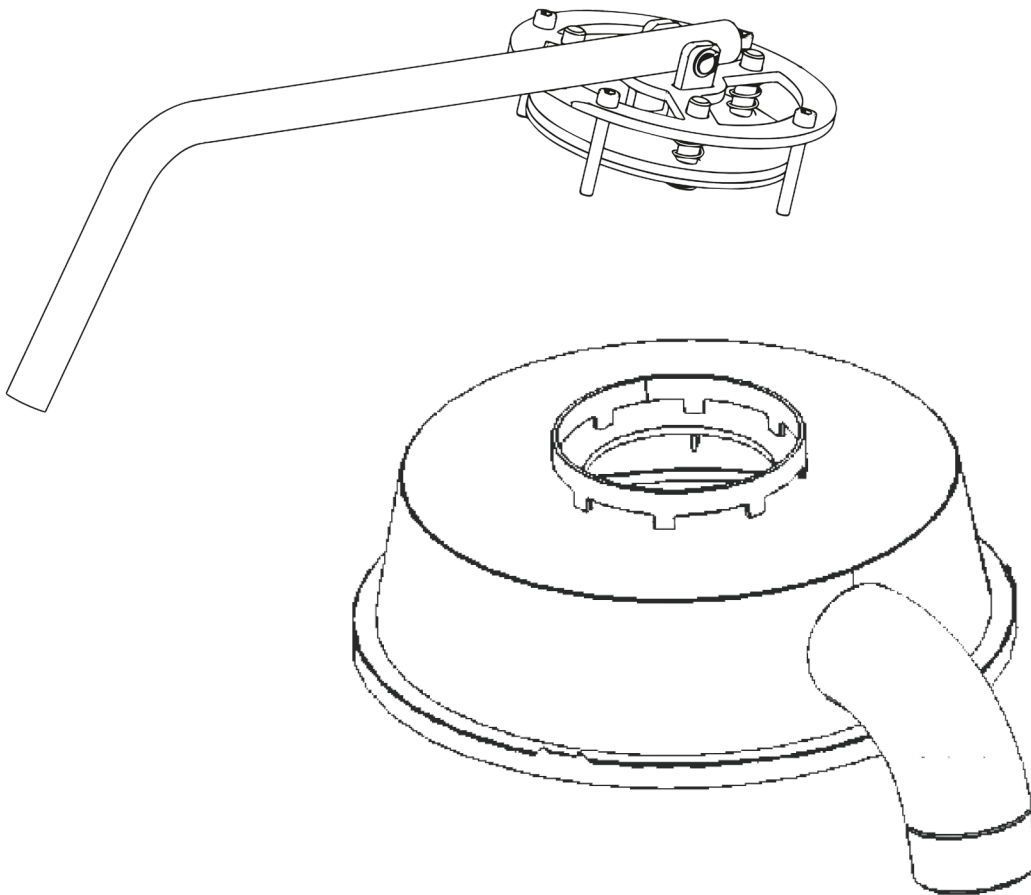
**Greyline 25/35**

Item	Description	Part no	QTY
1	FLOOR NOZZLE	593 46 74-01	1
2	SWIVEL CASTOR	593 45 66-01	2
	SCREW M10x20	593 50 05-01	2
3	HOSE 3" 140cm	593 47 87-03	1
4	WHEEL	593 46 56-01	2
	WASHER M20	593 50 67-01	2
	SPLIT PIN 5x40	593 51 22-01	2
5	LONGOPACK HOLDER	593 52 40-01	1
6	HOSE CLAMP 3"	593 44 50-01	2
7	PLASTIC PLUG	595 61 48-01	1
8	CAMLOCK 2.5"	593 46 67-01	1
9	LONGOPACK 4pcs/BOX	593 44 64-01	1
10	RATCHET STRAP	593 44 08-01	2
11	CLEANING PIPE CAMLOCK CMPL.	593 46 11-01	1
12	HOSE KIT 2.5" 10M	593 47 90-01	1
13	CAMLOCK FEMALE 2" HOSE 2.5"	593 52 77-01	1
14	HOSE 2.5" 10M	593 47 91-03	1
15	CAMLOCK MALE 2" HOSE 2.5"	593 46 68-01	1
16	ELECTRIC PANEL 25D 120V	593 54 69-01	1
	ELECTRIC PANEL 25D/25D 230V	593 54 69-01	1
	SCREW 4.2x9.5	593 50 95 01	6
17	MOTOR 1100W 25D 120V	593 46 65-01	2
	MOTOR CARBON BRUSH 1100W 120V	593 48 05-01	4
	MOTOR 1100W 25D 240V	593 46 64-01	2
	MOTOR 1100W 35D 240V	593 46 64-01	3
	MOTOR CARBON BRUSH 1100W 240V	593 48 05-01	6
18	COARSE FILTER	593 53 00-01	1
19	CAMLOCK PLUG 2.5" WITH CHAIN	593 47 28-01	1
20	HEPA 13 FILTER	593 52 54-01	1
21	CHASSIS	593 52 60-01	1
22	DUST CYLINDER CMPL.	595 69 84-01	1
23	CYCLONE TOP INCL. HANDLE	593 52 61-01	1
24	GASKET	593 52 61-01	1
25	CYCLONE INCL. TOP LID LOCK	593 53 03-01	1
26	ECCENTRIC LATCH	593 44 07-01	3
27	POP RIVET 4.8x21	593 51 24-01	6
28	DUST LID CMPL. SET	593 53 05-01	1
29	LEVEL WHEEL CMPL. SET	593 53 05-01	2
30	VAC UNIT	593 52 53-01	1
31	VAC UNIT TOP	593 52 58-01	1

**Greyline 25/35**

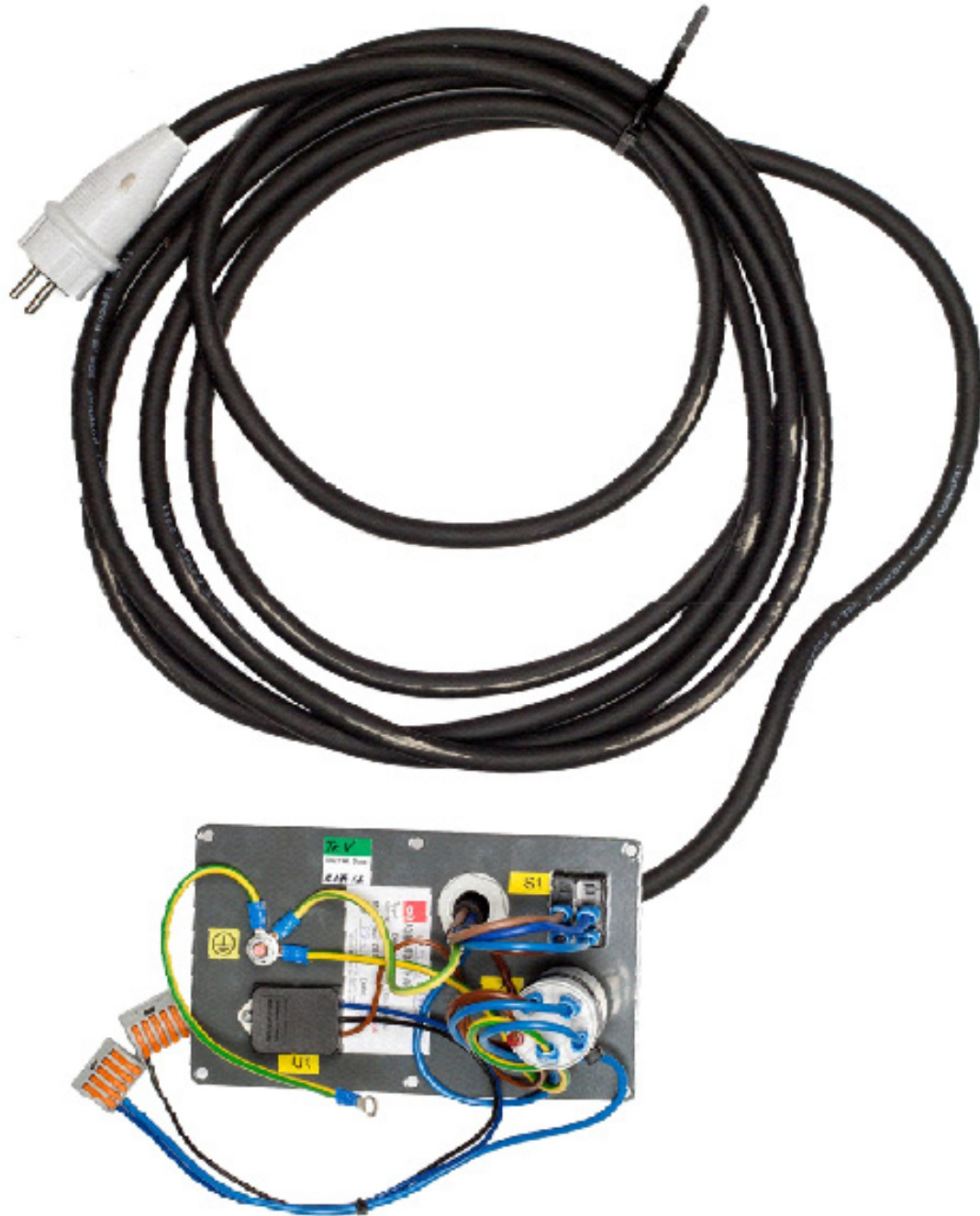
Item	Description	Part no	Qty
32	PLATE VAC UNIT 1mm	593 52 56-01	1
33	PLATE VAC UNIT 5mm	593 52 55-01	1
34	SOUND ABSORBING FOAM	593 52 57-01	1
35	OUTER FOAM	593 52 76-01	1
36	ECCENTRIC LATCH	593 44 39-01	2
	SCREW M5x8 10.9	593 49 72-01	6
37	SCREW M6x10	593 49 54-01	4
38	GROUND WIRE 300mm	595 49 54-01	1
	SCREW M6x10	593 49 54-01	2
	WASHER M6	593 49 60-01	2
	LOCK WASHER M6	593 51 10-01	2
	NUT M6	593 50 55-01	2

**Greyline 35D V.2**



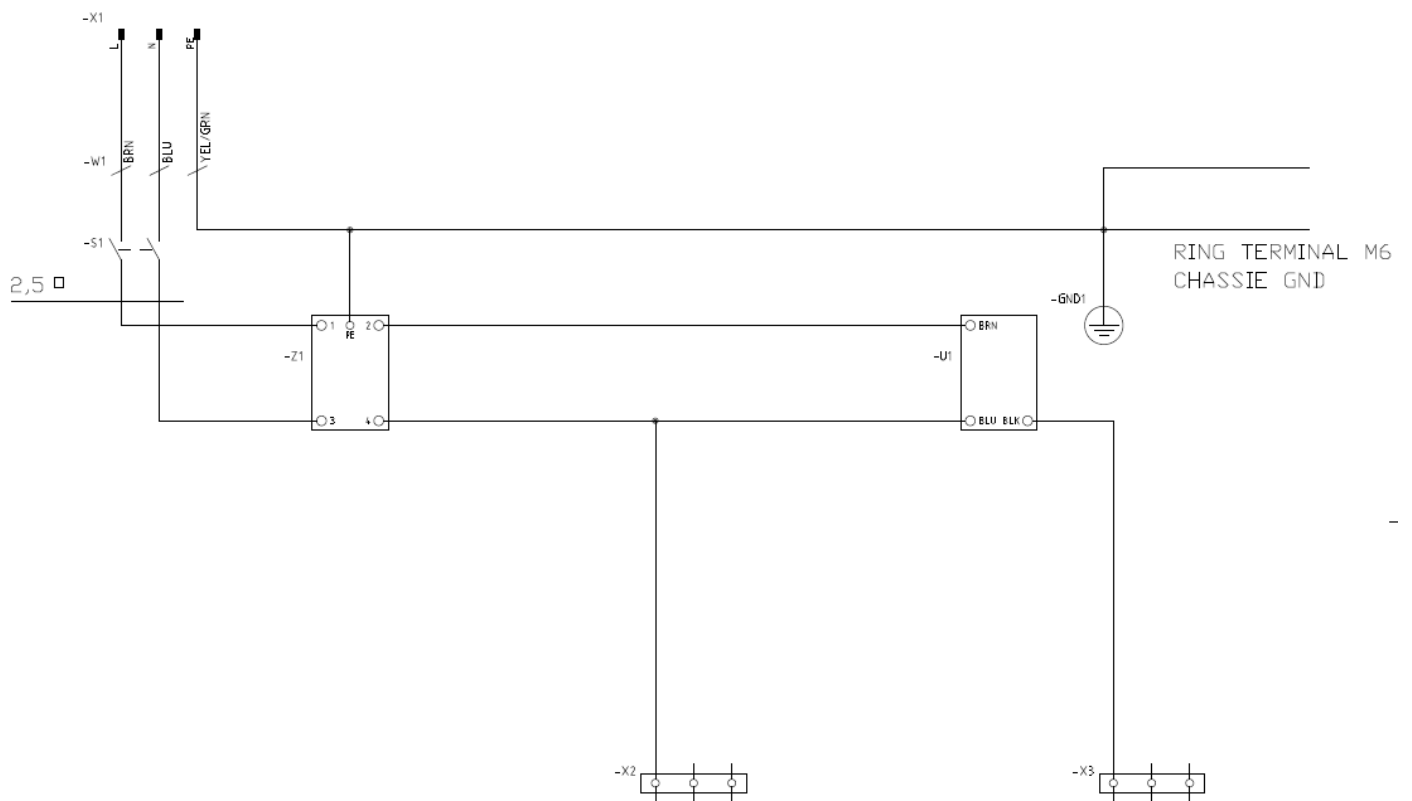
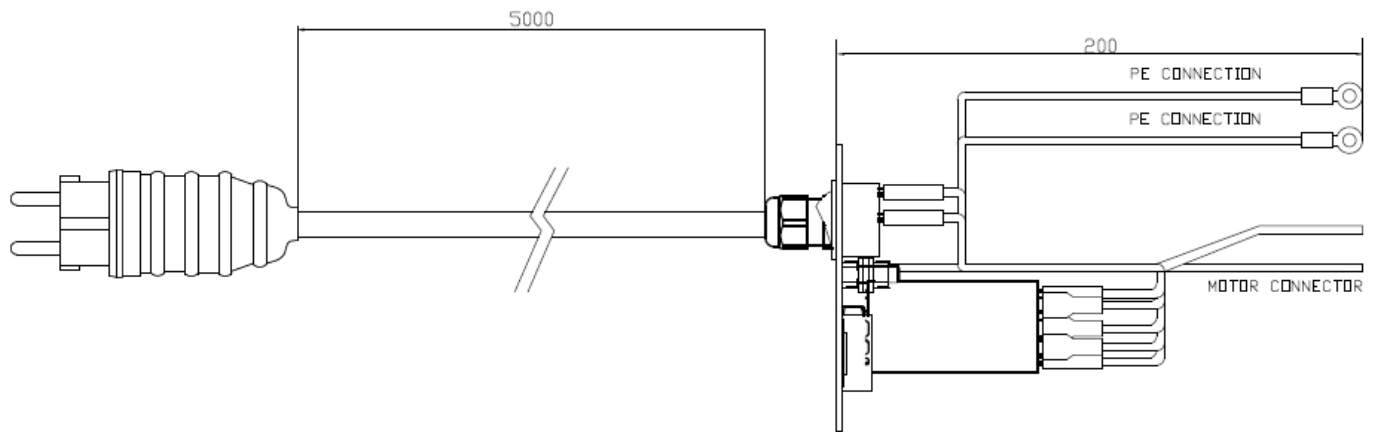
Item	Description	Part no	QTY
1	PURGE VALVE CMPL.	531 02 65-01	1
2	CYCLONE TOP	531 02 60-01	1

**Greyline 25/35 Electrical 230V - 593 54 68-01**

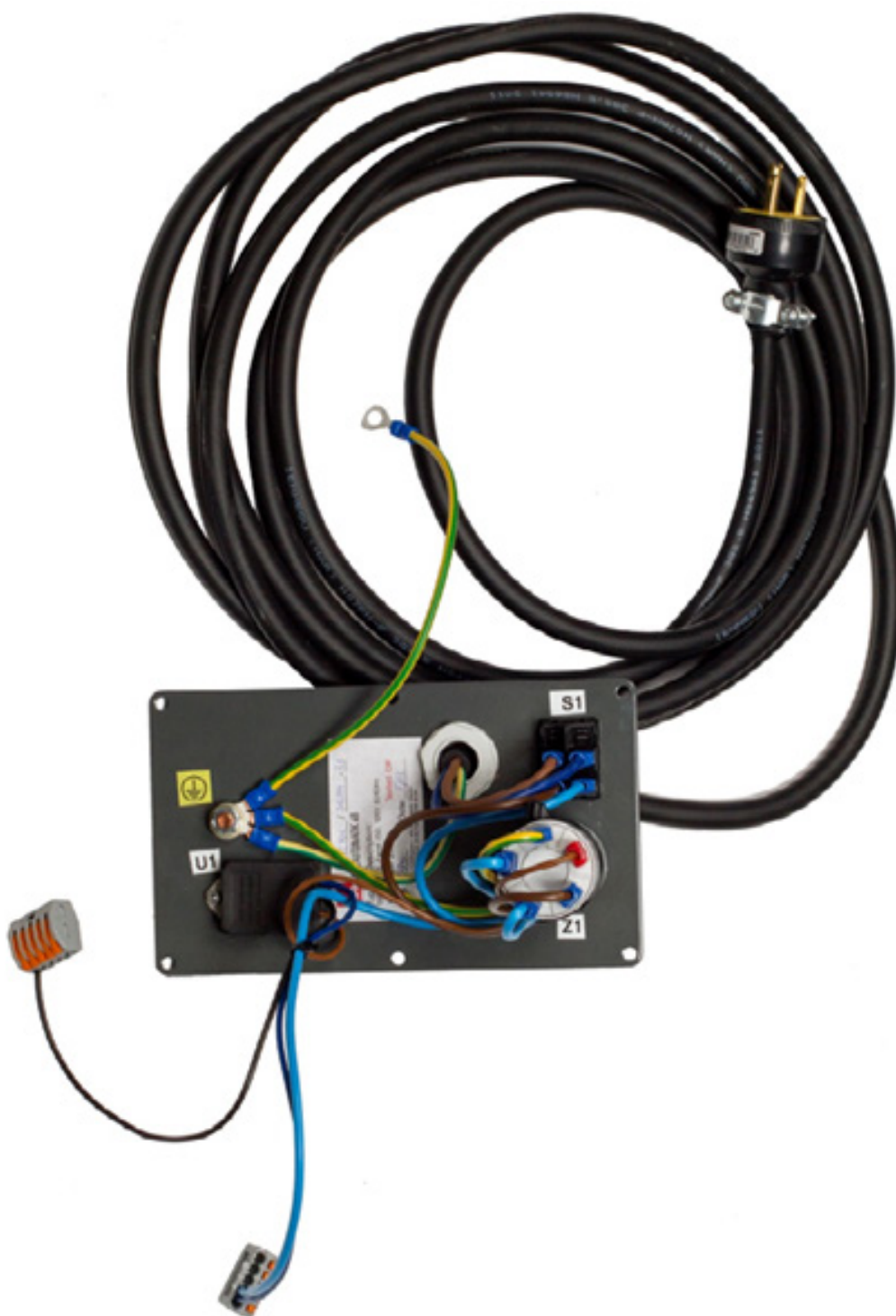


Item	Description	Part no	QTY
1	SOFT START GEFI 19A 230V	593 47 20-01	1
2	FILTER MIFLEX FP-250/16	593 47 19-01	1
3	PUSH BUTTON 2POL IP54	593 47 18-01	1
4	POWER CABLE 1PH	593 47 48-03	1

### Greyline 25/35 Electrical 230V - Diagram



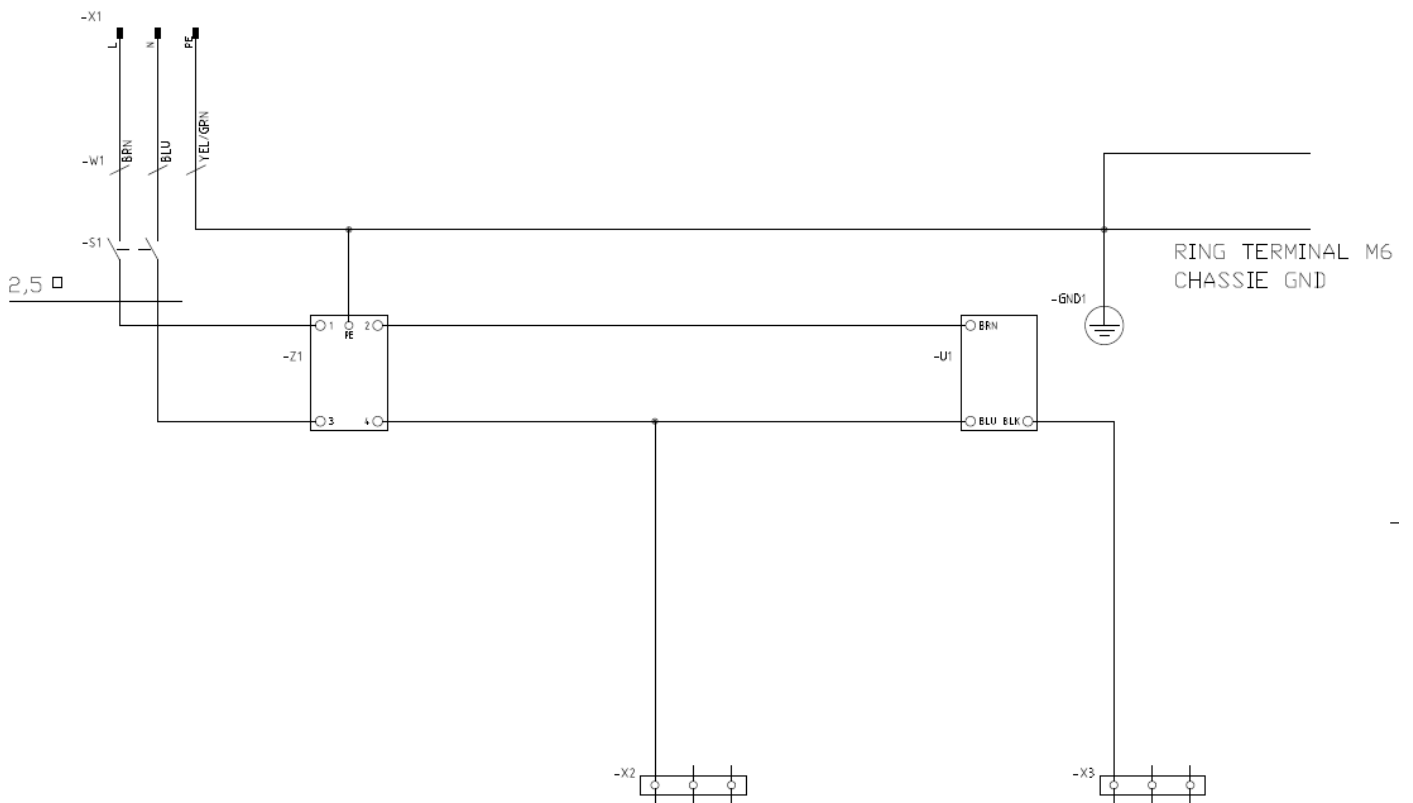
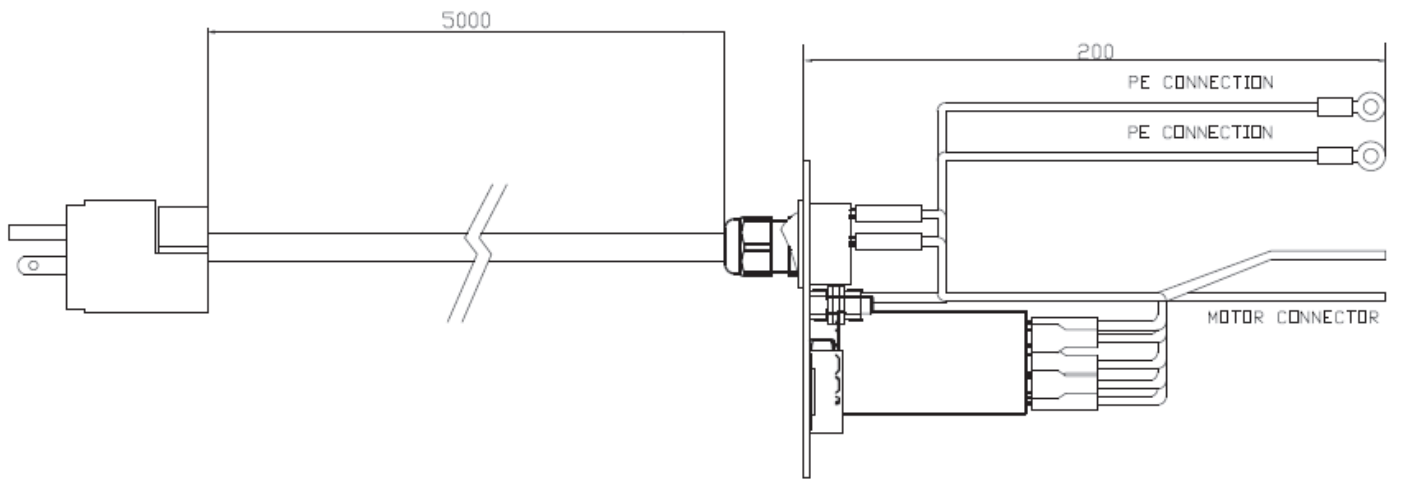
**Greyline 25D Electrical 120V - 593 54 69-01**



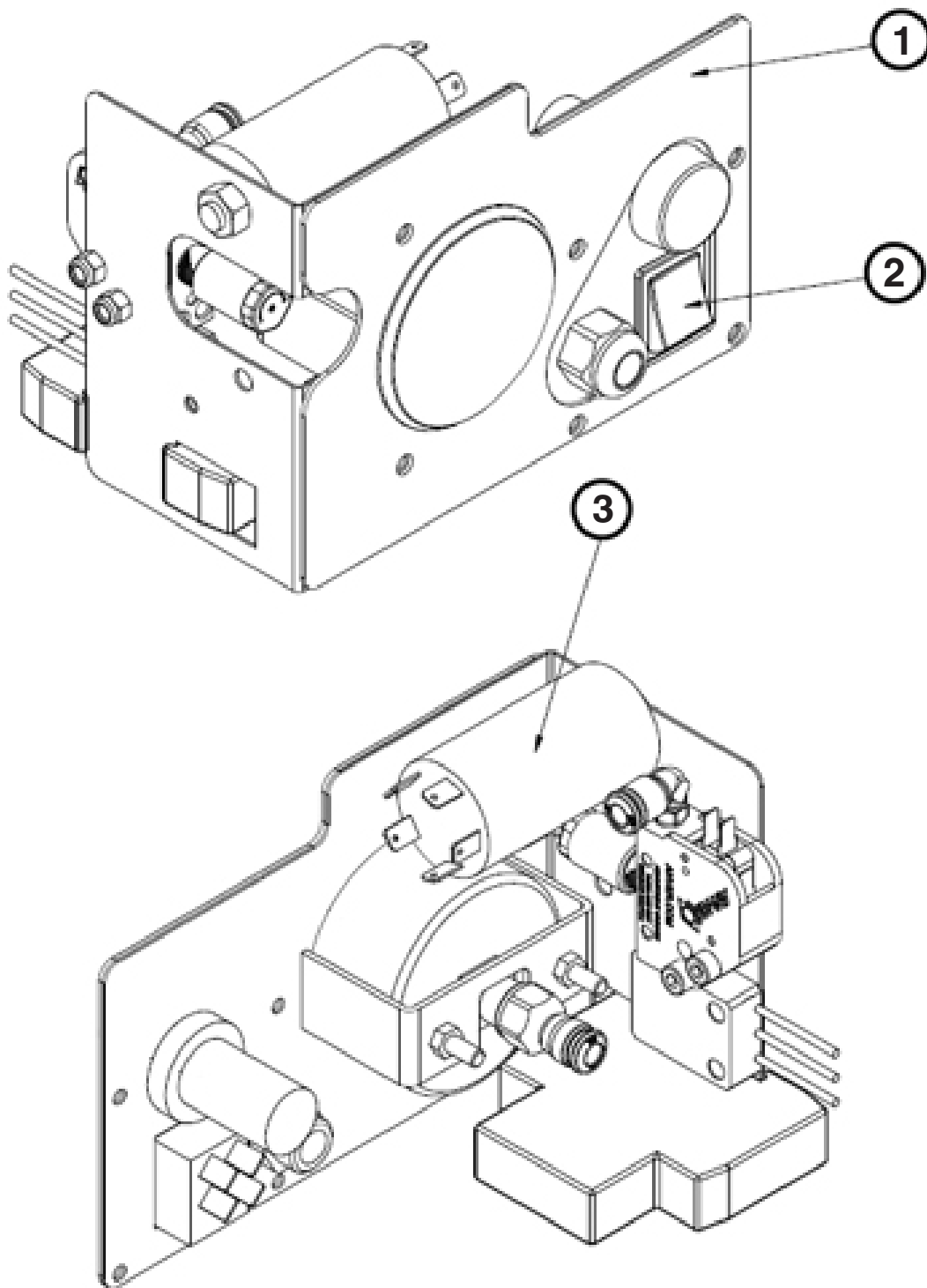
Item	Description	Part no	QTY
1	SOFT START GEFI 19A 230V	593 47 22-01	1
2	FILTER MIFLEX FP-250/16	593 47 21-01	1
3	PUSH BUTTON 2POL IP54	593 47 18-01	1
4	POWER CABLE 1PH	595 64 38-01	1



# Greyline 25D Electrical 120V - Diagram



**Greyline 35D V.2 Electrical 230V - 595 72 91-01**



Item	Description	Part no	QTY
1	PANEL CMPL.	595 72 91-01	1
2	SWITCH 20A	593 47 18-01	1
3	FILTER FP 250/16	593 47 16-01	1

**Greyline 35D V.2 Electrical 230V - Diagram**

