

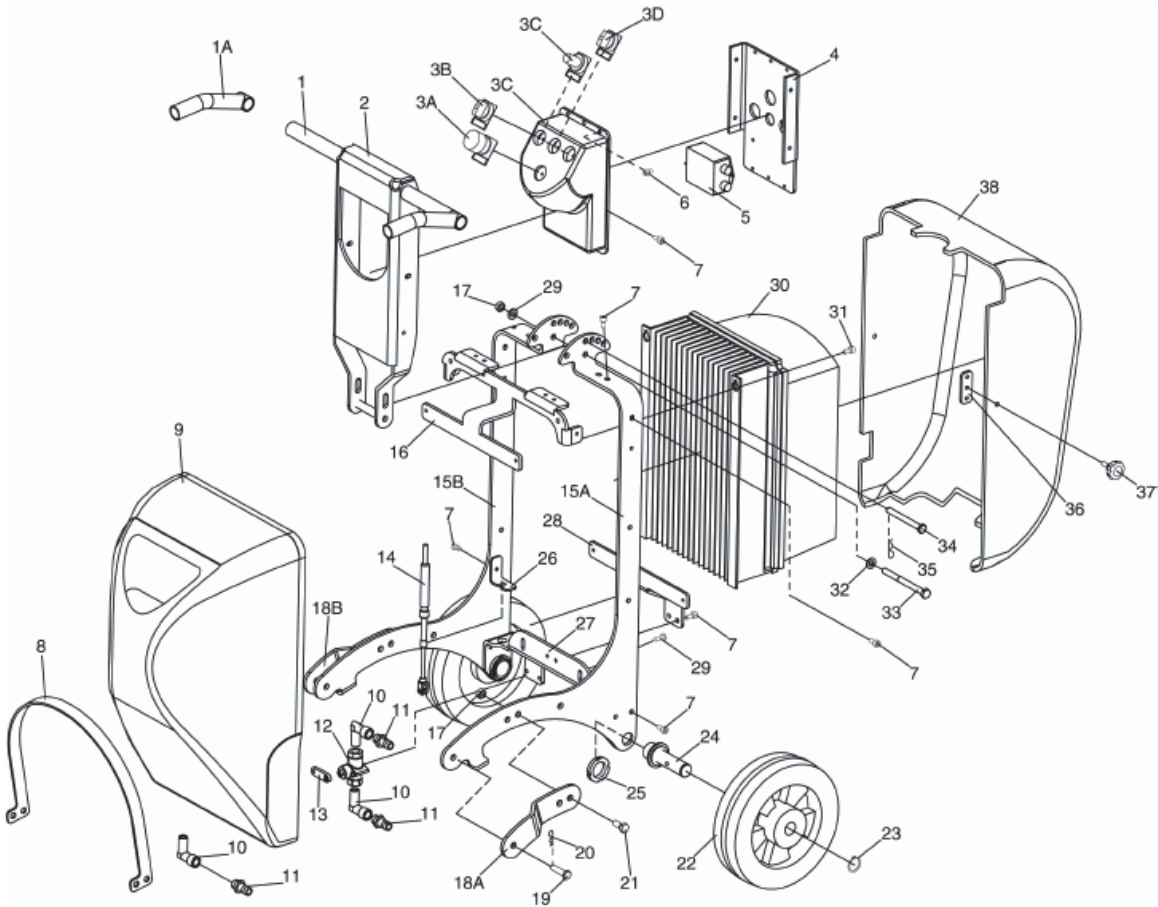


SPARE PARTS LIST
HTC 420 ████████





HTC 420 Chassis

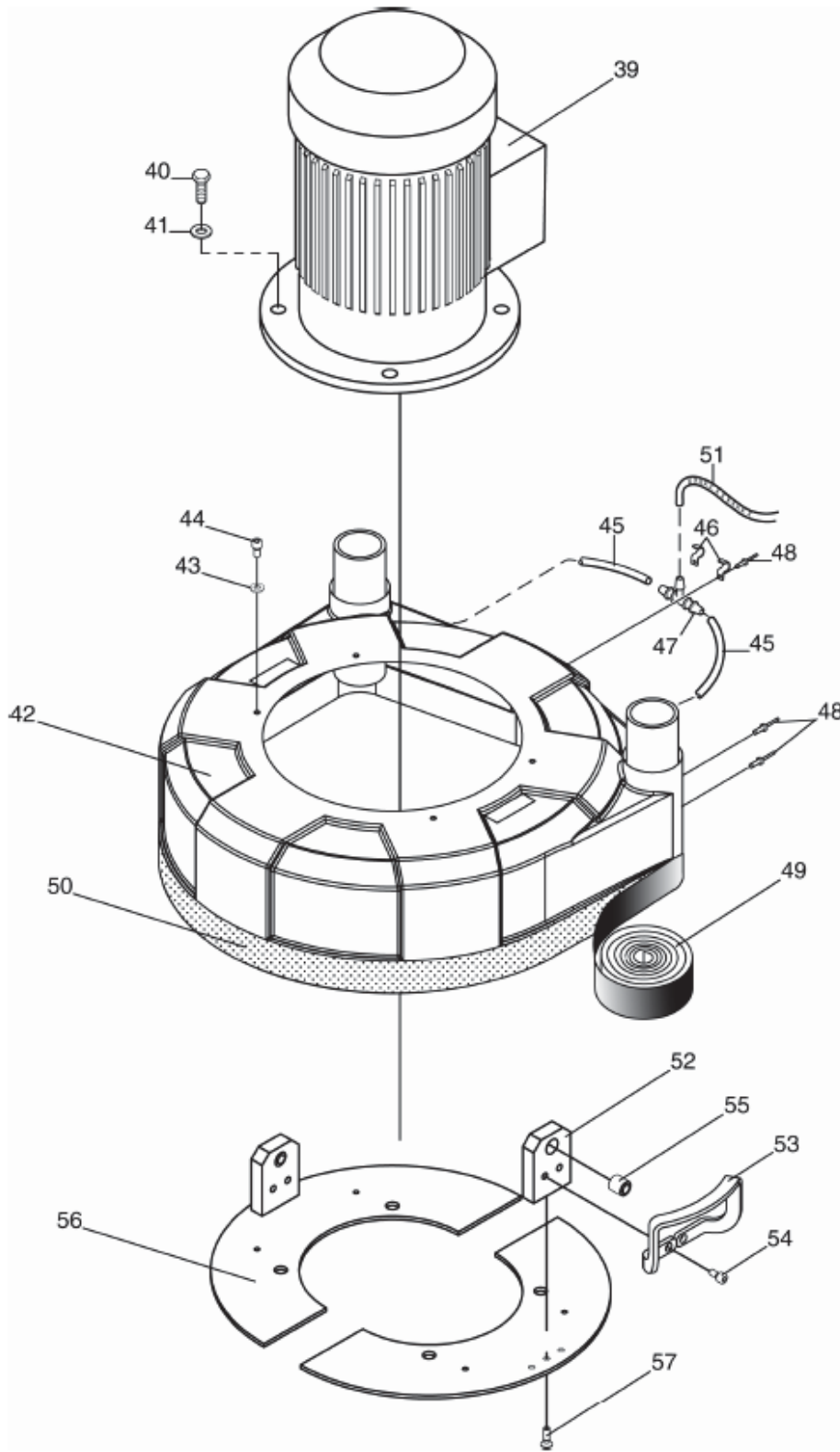


Item	Description	Part no	Qty
1A	BARENDS	593404901	2
1	HANDLE PART 2	595806801	1
2	HANDLE PART 1	595807201	1
3A	EMERGENCY STOP	593406701	1
	MOUNTING BASE	593614901	1
	CONTACT BLOCK RED (NC)	593399701	1
3B	ON/OFF KNOB GREEN 3-POS	593406801	1
	MOUNTING BASE	593614901	1
	CONTACT BLOCK RED (NC)	593399701	1
	CONTACT BLOCK GREEN (NO)	593399601	1
	LIGHT BLOCK LED GREEN	594990701	1
3C	POTENTIOMETER KNOB	593420701	1
	POTENTIOMETER	593434101	1
3D	FRW/REW KNOB BLACK 3-POS	593399301	1
	MOUNTING BASE	593614901	1
	CONTACT BLOCK GREEN (NO)	593399601	2

HTC 420 Chassis

Item	Description	Part no	Qty
4	BRAKET CONTROL PANEL	DISCONTINUED	
5	EMC-FILTER	593416401	1
6	SCREW M5X10	310052	6
7	SCREW M6X10	593495401	12
8	LIFTING BAR	595808401	1
9	WATER TANK	595806001	1
10	L-TUBE	593389601	3
11	TUBE CONNECTION	593391601	3
12	WATER TAP	593381001	1
13	WIRE WATER SUPPLY BRAKET	593403001	1
14	WIRE WATER SUPPLY	595807101	1
15A	CHASSIS HTC 420 LEFT	593402901	1
15B	CHASSIS HTC 420 RIGHT	593402801	1
16	SUPPORT CHASSI	593403101	1
17	LOCKNUT M8	593499801	4
18A	QUICK COUPLER LEFT HTC 420	595808501	1
18B	QUICK COUPLER RIGHT HTC 420	595808601	1
19	PIN HOLD	593509801	2
20	LOCKING CLIP	593502501	2
21	SCREW M8X25	593499601	4
22	WHEEL	593408701	2
23	CIRCLIP SGA 20	593496301	2
24	WHEEL SHAFT	595808001	2
25	NUT KM5	593406401	2
26	BRACKET	593402701	2
27	WHEEL BRACKET	595806901	1
28	INVERTER BRACKET	595807901	1
29	SCREW THERMOPL. PT WN 1452 TX	593502601	4
30	POWER UNIT EU	110544	1
	POWER UNIT US	111327	1
31	SCREW M5X8	593501901	4
32	WASHER M8	593500401	2
33	SCREW M8X100	595673101	1
34	PIN CHASSI	593502701	1
35	LOCKING CLIP	593502501	1
36	BACK BRACKET	595806501	2
37	KNOB STAR	593405401	2
38	BACK COVER	593404301	1

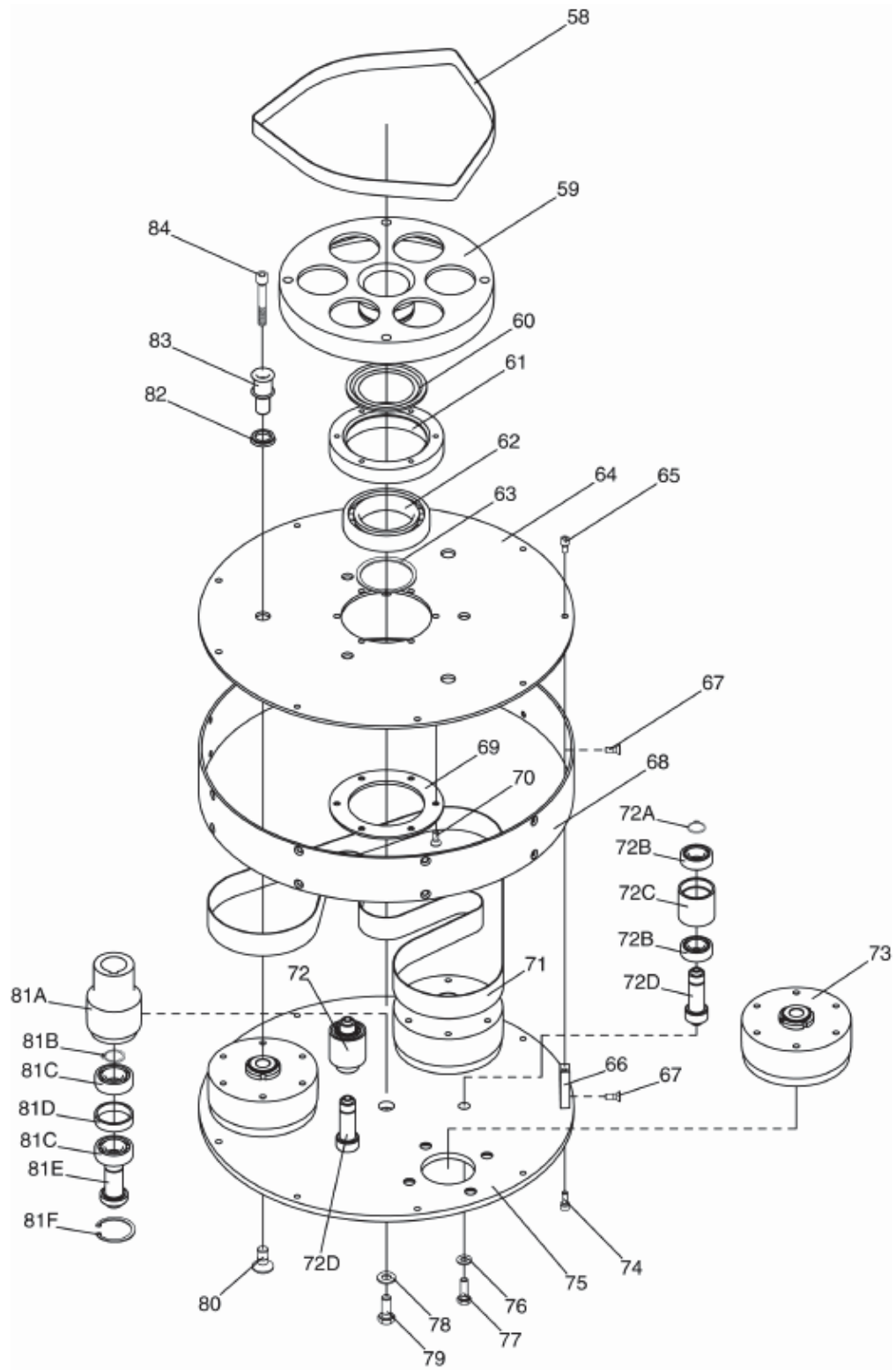
HTC 420 Grinding head



HTC 420 Grinding head

Item	Description	Part no	Qty
39	MOTOR 2.2KW	593405501	1
40	SCREW M12X30	593501601	4
41	WASHER M12	593499401	4
42	COVER COMPLETE	110759	1
	COVER COMPLETE EZ	593449901	1
43	WASHER M6	593496001	4
44	SCREW M6X10	593495401	4
45	TUBE	593389501	1.1m
46	BRACKET JR12	593510301	2
47	T-TUBE	593389401	1
48	POP RIVET 4.8X12	593500801	6
49	SPLASH GUARD 1.8mX0.07m	593405601	1
	SPLASH GUARD EZ 1.8mX0.1m	593442001	1
50	WELCRO MALE 38mm	593615501	1.6m
51	HOSE COARSE ARMOURED	593388601	0.3m
52	FIXING LUG	593402701	2
53	HANDLE	593408601	2
54	SCREW M8X20	593502801	4
55	BUSHING	593377801	2
56	DIVISIBLE PLATE	593626101	2
57	SCREW M6X20	593496701	6

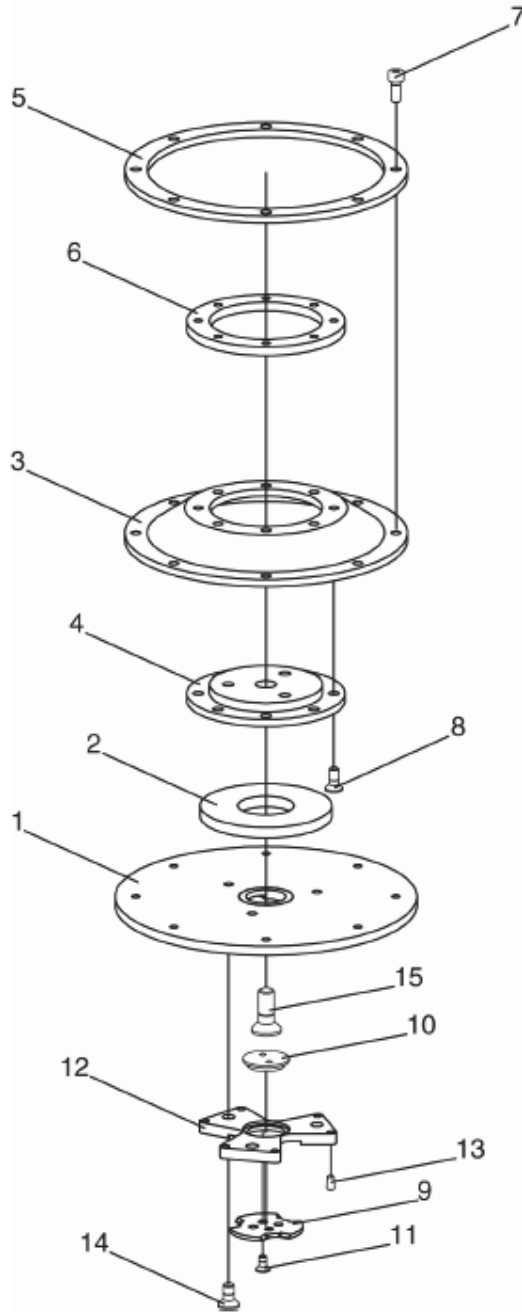
HTC 420 Grinding head



HTC 420 Grinding head

Item	Description	Part no	Qty
58	UPPER BELT	593378001	1
59	MOTOR PLATE	593404101	1
60	NILOS RING	593377701	1
61	HOUSING CENTRE	593403401	1
62	BALL BEARING	593382101	1
63	CIRCLIP SGA 60	593496501	1
64	UPPER LID	593402501	1
65	SCREW M6X16	593500701	8
66	FIXING BOSS	593402401	8
67	SCREW M6X16	593507801	16
68	BORDER	593402201	1
69	COVER CENTER	593401901	1
70	SCREW M6X25	593507301	6
71	INNER BELT	593377901	1
	INNER BELT TC-20EF 110V	595812901	1
72	PRESS WHEEL COMPLETE	593404601	2
72A	CIRCLIP SGA 17	593509701	2
72B	BALL BEARING	593415101	4
72C	PRESS WHEEL	593403901	2
72D	PRESS WHEEL SHAFT	593403801	3
73	PULLEY ASSEMBLE COMPLETE	593404501	3
74	SCREW M6X16	593500701	8
75	LOWER LID	593401801	1
76	WASHER M8	593496201	6
77	SCREW M8X25	593495201	6
78	WASHER M10	593498501	1
79	SCREW M10X30	610066	1
80	SCREW M12X20	593501801	12
81	CENTER HUB COMPLETE	593404701	1
	CENTER HUB COMPLETE 110V	593420501	1
81A	CENTER PULLEY	593403301	1
	CENTER PULLEY 110V	593408101	1
81B	CIRCLIP SGA 20	593496301	1
	CIRCLIP SGA 25 110V	593496801	1
81C	BALL BEARING	593415201	2
	BALL BEARING 110V	593381501	2
81D	SPACER CENTRE HUB	593403501	1
	SPACER CENTRE HUB 110V	593418401	
81E	SHAFT CENTERPULLEY	593403201	1
	SHAFT CENTERPULLEY 110V	593626701	1
81F	CIRCLIP SGH 42	593507401	1
82	SEALING V-RING	593405001	3
83	SHAFT UPPER BELT	593404001	3
84	SCREW M8X55	593506001	3

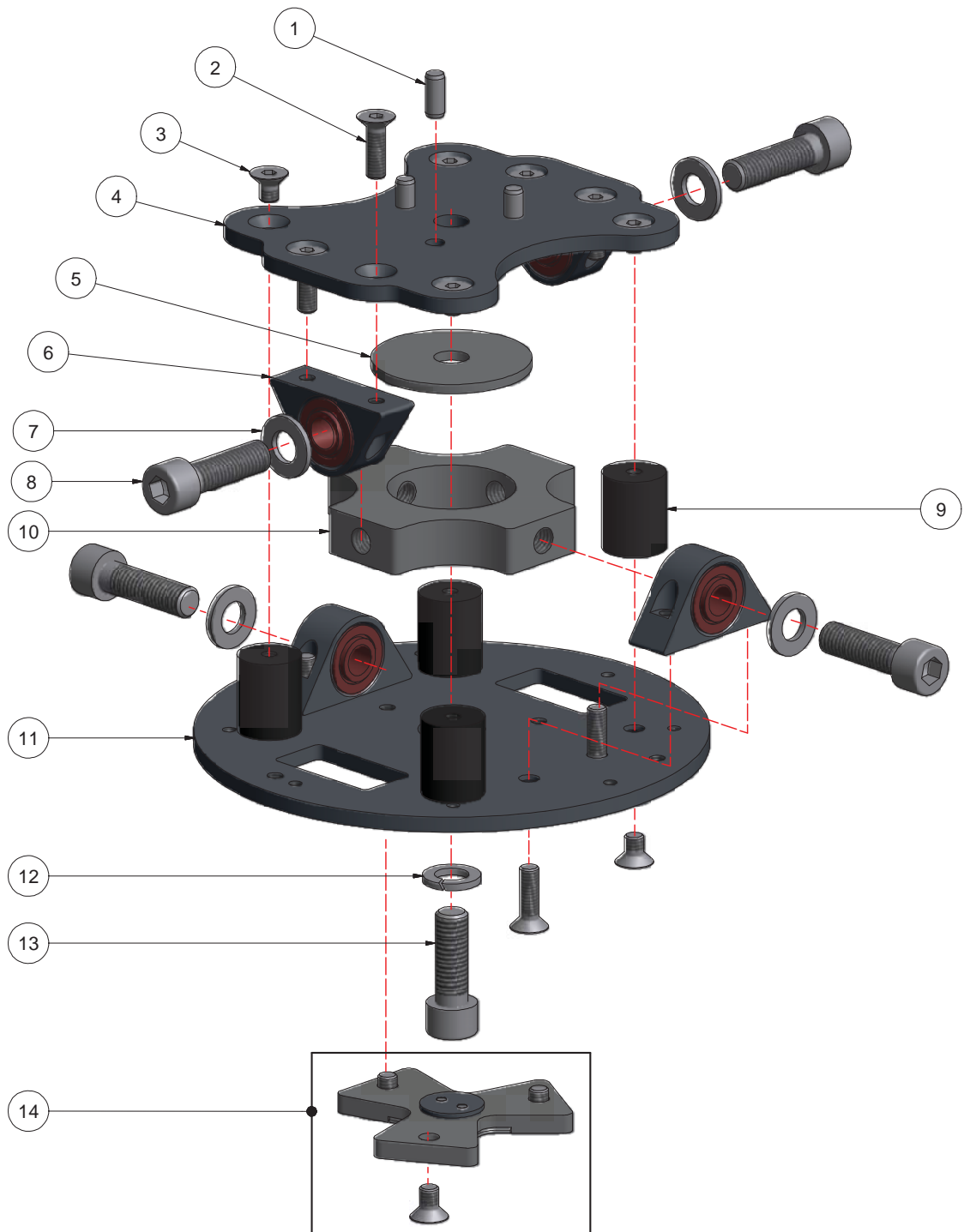
HTC 420 Grinding holder Polycord



HTC 420 Grinding holder Polycord

Item	Description	Part no	Qty
	GRIND HOLDER COMPLETE	593405101	1
1	GRIND HOLDER LOWER	593402301	1
2	SPRING	593404201	1
3	POLYCORD	593404801	2
4	POLYCORD HOLDER INNER	593403601	1
5	POLYCORD HOLDER OUTER	593402101	1
6	GRIND HOLDER UPPER	593402001	1
7	SCREW M5X12	593502001	8
8	SCREW M5X16	593502301	8
	CROSS COMPLETE	593616301	1
9	CROSS DETAIL PART 2	DISCONTINUED	1
10	CROSS DETAIL PART 3	DISCONTINUED	1
11	SCREW M4X8	DISCONTINUED	2
12	CROSS DETAIL PART 1	DISCONTINUED	1
13	PIN FOR CROSS	DISCONTINUED	6
14	SCREW M6X10	593505801	3
15	SCREW M10X30	593502401	1

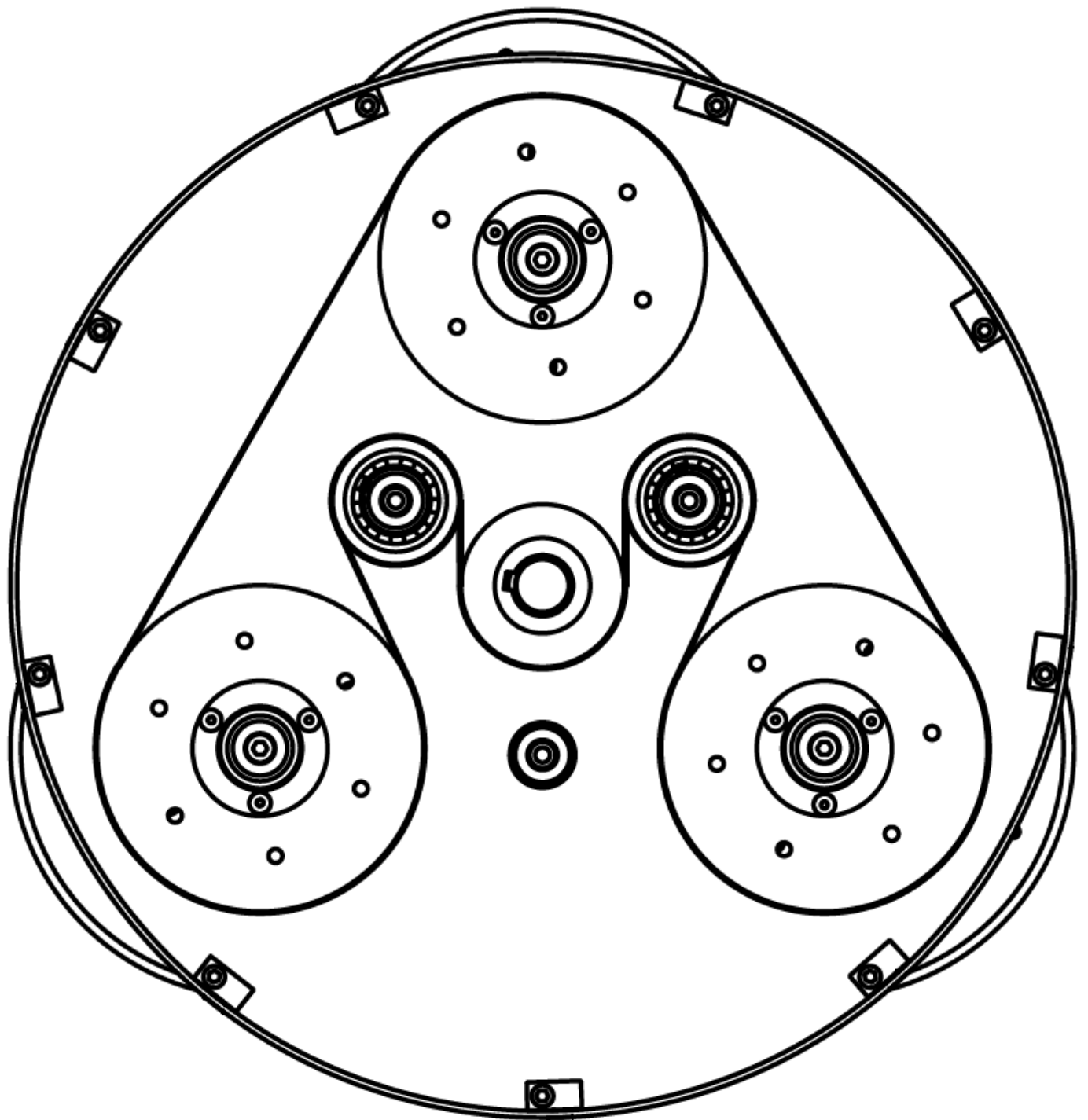
HTC 420 Grinding holder cardan



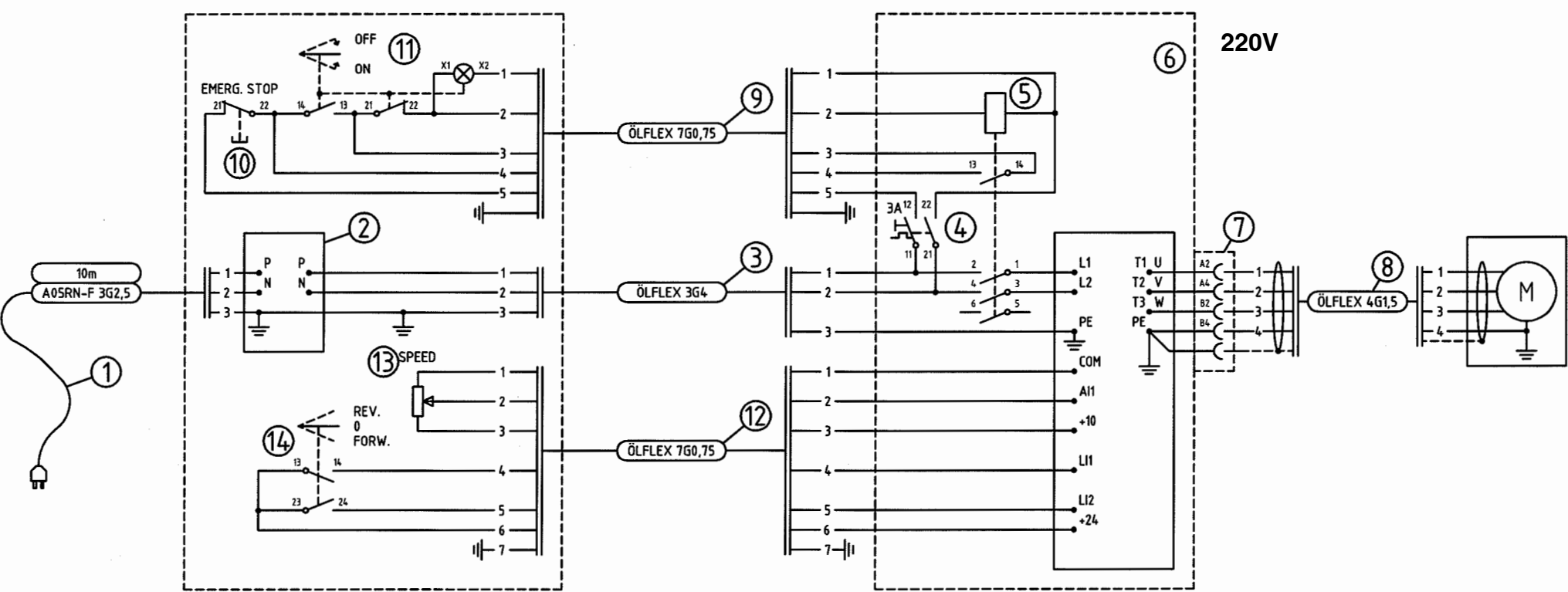
HTC 420 Grinding holder cardan

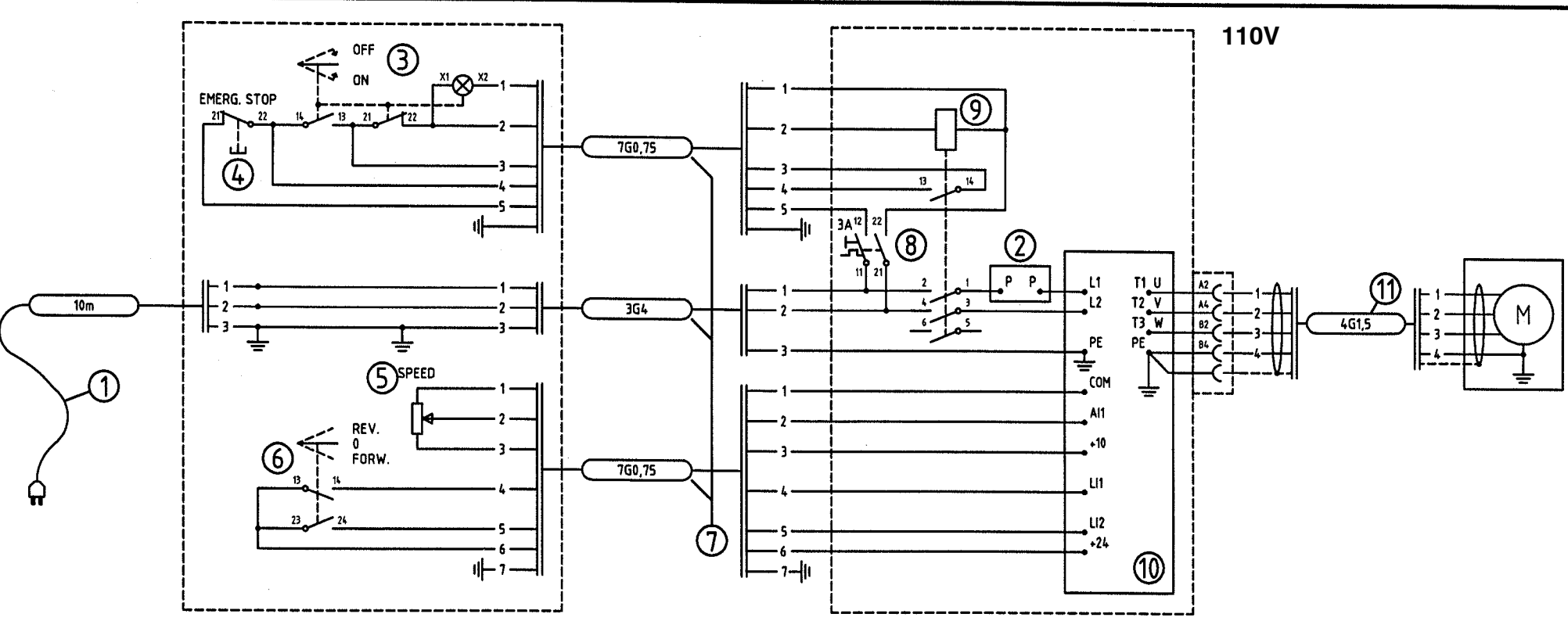
GRIND HOLDER COMPLETE – 112355

Item	Description	Part no	Qty
1	CYLINDER PIN CP 6X14	593508401	3
2	SCREW M6X20	593496101	8
3	SCREW M6X9	593501201	8
4	UPPER GRIND HOLDER PLATE	593440101	1
5	WASHER	593440001	1
6	EAR BUSHING CMPL.	593616401	4
7	WASHER M10	593499101	4
8	SCREW M10X35	593508101	4
9	SHOCK ABSORBER 20x25 M6	593438801	4
10	CARDAN CONNECTION	593440301	1
11	LOWER GRIND HOLDER PLATE	593440201	1
12	WASHER M10	593509901	1
13	SCREW M10X30	593504101	1
14	CROSS COMPLETE	593616301	1



BELT ORIENTATION – HTC 420







HTC Sweden AB
Box 69 – 614 22 Söderköping
Tel: +46(0)121-294 00 – Fax: +46(0)121-152 12
www.htc-sweden.com