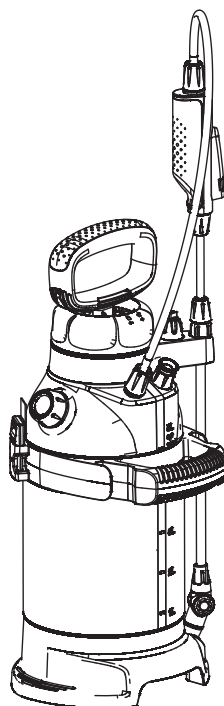
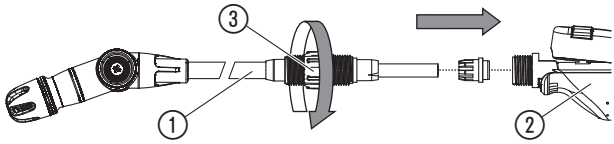
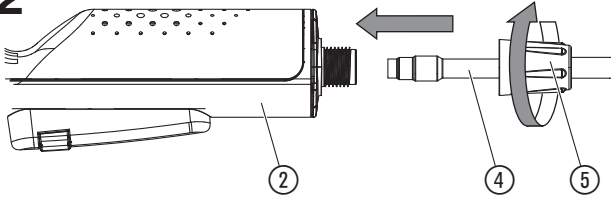
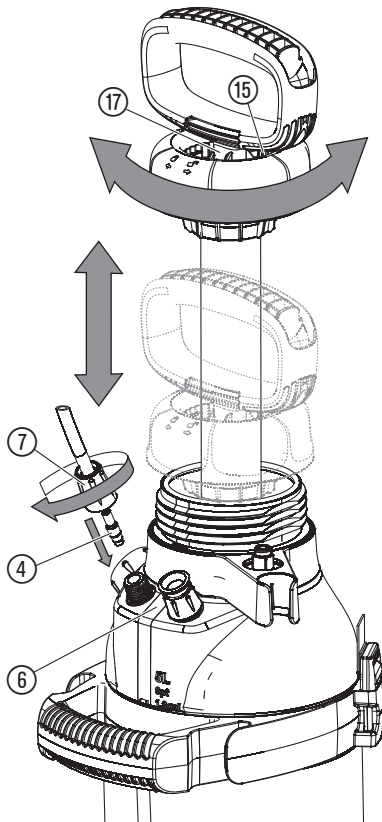
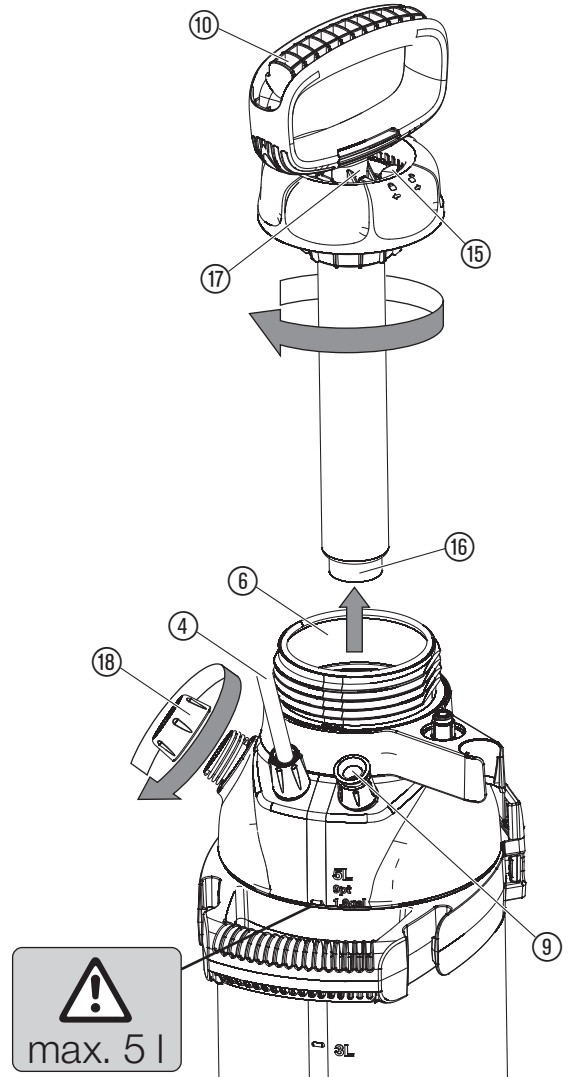
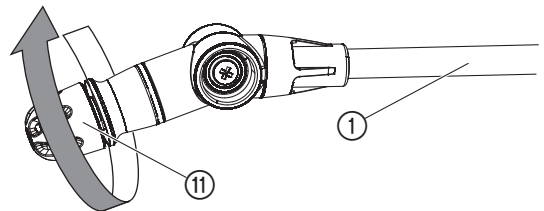
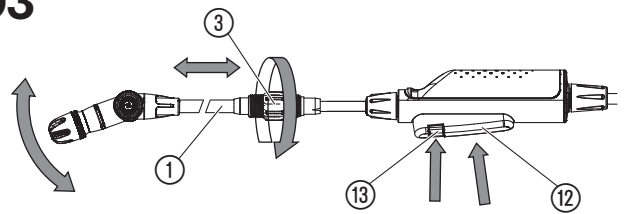
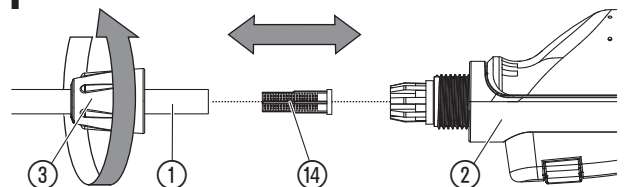


5L Plus

Art. 11138



EN Operator's manual
Pressure Sprayer

A1**A2****A3****O1****O2****O3****T1**

EN GARDENA Pressure Sprayer 5L Plus

Translation of the original instructions.

Please read the operating instructions carefully and observe the notes given. Use the instructions to familiarise yourself with the Pressure Sprayer, its proper use and the notes on safety. For safety reasons, children under 16 as well as persons not familiar with these operating instructions must not use the Pressure Sprayer. Never operate the product when you are tired, ill or under the influence of alcohol, drugs or medicine. Read the operator's manual carefully before use and keep for future reference.

Intended use:

The GARDENA Pressure Sprayer is intended for distributing solvent-free liquid pesticides¹⁾, herbicides¹⁾, fertilisers¹⁾, window cleaners¹⁾, and car wax¹⁾ in domestic gardens and allotments. It must not be used in public places, parks, sport arenas, or in agriculture or forestry. Compliance with the specifications in this operating manual is a requirement for the proper use of the Pressure Sprayer.

¹⁾ According to the Plant Protection Law as well as the Detergents and Cleaning Agents Law, only approved agents may be used (authorised specialist dealers).

Please note:

Due to the risk of physical injury, the GARDENA Pressure Sprayer must not be used for spraying substances other than those specified by GARDENA. Also, no acids, disinfectants or impregnators, aggressive and solvent-containing cleaning agents, petrol or spray oil may be sprayed.

1. SAFETY

Danger of physical injuries:

Never open the Pressure Sprayer or unscrew the nozzle and the dosing cap when the Pressure Sprayer is still pressurised. To prevent injury, never connect the Pressure Sprayer to an air-compressor.

Always hold the Pressure Sprayer upright before the safety relief valve ⑨ (Fig. 01) is pulled.

When spraying insecticides, herbicides and fungicides or other liquid plant protection products, you must comply with all special precautionary measures specified by the manufacturer of the product you are using.

Before each opening of the Pressure Sprayer, thoroughly release pressure by pulling the safety relief valve ⑨.

DANGER! Small parts can be easily swallowed. There is also a risk that the polybag can suffocate toddlers. Keep toddlers away when you assemble the product.

Operation:

CAUTION: The tank may only be filled with a maximum of 5 litres liquid. Inspect the Pressure Sprayer visually before each use. Never leave your Pressure Sprayer unattended or for long periods when full and pressurised. Keep the unit out of the reach of children. You are responsible for the safety of others. Keep your Pressure Sprayer away from heat sources and hot environments. Screw on the pump handle ⑩ tightly by hand (do not use tools) and ensure that the O-ring ⑮ (Fig. 01) is positioned correctly.

Cleaning:

Release the pressure after each use, empty the container, clean it carefully and rinse with clear water. Then leave the pressure sprayer open and allow it to dry. Do not dispose of residual fluids in the sewerage system (local disposal systems). Always clean the Pressure Sprayer before using a different product to avoid chemical reactions. When using several Pressure Sprayers, the tanks and spray nozzle may not be exchanged between them. We recommend that you have your Pressure Sprayer thoroughly inspected (preferably at a GARDENA Service Centre) after using it for 5 years.

Storage:

Before storing, loosen the tank cap and always empty your Pressure Sprayer completely (also after cleaning with water). Store away from frost. If you use the permanent lock ⑬ (Fig. 03) pay attention that you work very carefully. Carry the pressure sprayer by the carrying strap ⑧ or the handle ⑩. Make sure that the product is protected from direct sunlight. The product may heat up.

2. ASSEMBLY

1. **Fig. A1:** Slide the spray lance ① into the hand valve ② and screw on the union nut ③.

2. **Fig. A2:** Slide the spray hose ④ into the hand valve and screw on the union nut ⑤.
3. **Fig. A3:** Slide the spray hose ④ into the container and screw on the union nut ⑦.
4. **Fig. A4:** Attach the carrying strap ⑧ to the container ⑥.

3. OPERATION

Please observe the safety and proportioning instructions provided by the manufacturer of the product you are going to spray.

To spray the liquid [Fig. 01/02/03]:

1. Pull the safety relief valve ⑨.
2. Unscrew the pump handle ⑩ **or** the dosing cap ⑮ and fill the container ⑥.
3. If necessary, fill in an additive via the dosing cap ⑮. (Scale with 5, 10 and 20 ml).
4. Screw the pump handle ⑩ **or** the dosing cap ⑮ back onto the container ⑥.
5. If necessary, loosen the union nut ③ and adjust the lance to the desired length.
6. Release the locking device ⑰ on the pump handle until it is between the two stops of the thread ⑮.
7. Pump with the pump handle ⑩.
8. Adjust the spray jet (clockwise rotation → spray mist; counterclockwise rotation → spray jet) and the spray angle via the nozzle ⑪.
9. Push the button ⑫ on the lance handle to spray the liquid. If necessary, you can lock the button ⑫ with the permanent lock ⑬.

4. MAINTENANCE

To clean the pressure sprayer:

Always clean your Pressure Sprayer after spraying. Use the Pressure Sprayer only with clear water (possibly with addition of dish detergent) and spray empty. The valves, the spray lance ①, the nozzle ⑪ and the filter ⑭ are cleaned. In the case of outer dirtying of cover and tank, thoroughly clean the area thread and thread-O-ring ⑮.

Check the safety relief valve ⑨ for smooth running.

5. STORAGE

To put into storage:

1. Clean the pressure sprayer (see 4. MAINTENANCE).
2. Store the pressure sprayer in a frost-free place.

6. TROUBLESHOOTING

To clean the filter [Fig. T1]:

→ Unscrew the spray lance ①, remove the filter ⑭ and clean it.

Problem	Possible Cause	Remedy
Pump does not build up pressure	Handle ⑩ or the dosing cap ⑮ too lightly screwed on.	→ Screw on handle ⑩ or the dosing cap ⑮ tighter.
	Hose connection at the container and hand valve is not tight.	→ Tighten the hose connections at the container and hand valve.
	Permanent lock ⑬ on the handle is locked.	→ Release the permanent lock ⑬ on the handle.
	Sealing cap ⑮ is dirty/defective.	→ Clean/exchange sealing cap ⑮.
Pressure Sprayer does not spray although there is sufficient pressure or only sprays with a weak spray jet	Nozzle ⑪ is blocked.	→ Unscrew nozzle ⑪ and clean.
	Filter ⑭ is clogged.	→ Remove filter ⑭ from the spray lance and clean it.
It is difficult to open and close the container	Container pressure too high.	→ Release the container pressure completely by means of the safety relief valve ⑨.

NOTE: For any other malfunctions please contact the GARDENA service department.

7. TECHNICAL DATA

Max. capacity	5 l
Spray tube length	42 – 72 cm
Permissible working pressure	3 bar
Max. permissible operating temperature	40 °C

8. SERVICE/WARRANTY

In the event of a warranty claim, no charge is levied to you for the services provided.

GARDENA Manufacturing GmbH offers a two-year warranty (effective as of the date of purchase) for this product. This warranty includes all signifi-

cant defects of the product that can be proved to be material or manufacturing faults. This warranty is fulfilled by supplying a fully functional replacement product or by repairing the faulty product sent to us free of charge; we reserve the right to choose between these options. This service is subject to the following provisions: The product was used for its intended purpose as per the recommendations in the operating instructions. Neither the purchaser nor a third party has attempted to repair the product. This manufacturer's warranty does not affect warranty entitlements against the dealer/retailer. If problems arise with this product, please contact our Service department or send the defective product along with a brief description of the fault to GARDENA Manufacturing GmbH, making sure to have sufficiently covered any shipping costs and to have followed the relevant postage and packaging guidelines. A warranty claim must be accompanied by a copy of the proof of purchase.

Deutschland / Germany

GARDENA
Manufacturing GmbH
Central Service
Hans-Lorenser-Straße 40
D-89079 Ulm
Produktfragen:
(+49) 731 490-123
Reparaturen:
(+49) 731 490-290
service@gardena.com
http://www.gardena.com

Albania

KRAFT SHPK
Autostrada Tirane-Durres
Km 7
1051 Tirane

Argentina

ROBERTO C. RUMBO S.R.L.
Predio Norlog
Lote 7
Benavidez. ZC:1621
Buenos Aires
ventas@rumbosrl.com.ar

Australia

Husqvarna Australia Pty. Ltd.
Locked Bag 5
Central Coast BC
NSW 2252
Phone: (+61) (0) 2 4352 7400
customer.service@
husqvarna.com.au

Austria / Österreich

Husqvarna Austria GmbH
Industriezeile 36
4010 Linz
Tel.: (+43) 732 77 01 01-485
service.gardena@
husqvarnagroup.com

Azerbaijan

Firm Progress
a. Aliyev Str. 26A
1052 Baku

Belarus

Private Enterprise
"Master Garden"
Minsk
Sharangovich str., 7a
Phone: (+375) 17 257-00-33
Mob.: (+375) 29 676-16-09
mg@mastergarden.by

Belgium

Husqvarna Belgium nv
Gardena Division
Leuvensesteenweg 542
Planet II E
1930 Zaventem
België

Bosnia / Herzegovina

SILK TRADE d.o.o.
Industrijska zona Bukva bb
74260 Tešanj

Brazil

Husqvarna do Brasil Ltda
Av. Francisco Matarazzo,
1400 - 19º andar
São Paulo - SP
CEP: 05001-903
Tel: 0800-112252
marketing.br.husqvarna@
husqvarna.com.br

Bulgaria

AGROLAND България АД
бул. 8 Декември, №13
Офис 5
1700 Студентски град
София
Тел.: (+359) 2466 69 10
info@agroland.eu

Canada / USA

GARDENA Canada Ltd.
100 Summerlea Road
Brampton, Ontario L6T 4X3
Phone: (+1) 905 792 93 30
info@gardenacanada.com

Chile

REPRESENTACIONES
JCE S.A.
Av. Del Valle Norte 857,
Piso 4
Santiago RM
Phone: (+56) 2 24142560
contacto@jce.cl

China

Husqvarna (Shanghai)
Management Co., Ltd.
富世华 (上海) 管理有限公司
3F, Benq Square B,
No207, Song Hong Rd.,
Chang Ning District,
Shanghai
PRC. 200335
上海市长宁区淞虹路207号明
基广场B座3楼, 邮编: 200335

Colombia

Husqvarna Colombia S.A.
Calle 18 No. 68 D-31, zona
Industrial de Montevideo
Bogotá, Cundinamarca
Tel. 571 2922700 ext. 105
jairo.salazar@
husqvarna.com.co

Costa Rica

Compania Exim
Euroiberoamericana S.A.
Los Colegios, Moravia,
200 metros al Sur del Colegio
Saint Francis - San José
Phone: (+506) 297 68 83
exim_euro@racsa.co.cr

Croatia

Husqvarna Austria GmbH
Industriezeile 36
4010 Linz
Tel.: (+43) 732 77 01 01-485
service.gardena@
husqvarnagroup.com

Cyprus

Med Marketing
17 Digeni Akrita Ave
P.O. Box 27017
1641 Nicosia

Czech Republic

Husqvarna Česko s.r.o.
Türkova 2319/5b
149 00 Praha 4 - Chodov
Bezplatná infolinka:
800 100 425
servis@cz.husqvarna.com

Denmark

GARDENA DANMARK
Lejrvvej 19, st.
3500 Værløse
Tlf.: (+45) 7026 4770
husqvarna@husqvarna.dk
www.gardena.com/dk

Dominican Republic

BOSQUESA, S.R.L
Carretera Santiago Licey
Km. 5 ½
Esquina Copal II.
Santiago
Dominican Republic
Phone: (+809) 736-0333
joserbosquesa@claro.net.do

Ecuador

Husqvarna Ecuador S.A.
Arupos E1-181 y 10 de
Agosto Quito, Pichincha
Tel. (+593) 22800739
francisco.jacome@
husqvarna.com.ec

Estonia

Husqvarna Eesti OÜ
Valdeku 132
EE-11216 Tallinn
info@agardena.ee

Finland

Oy Husqvarna Ab
Gardena Division
Lautatarhankatu 8 B/PL 3
00581 HELSINKI
www.gardena.fi

France

Husqvarna France
9/11 Allée des pierres mayettes
92635 Gennevilliers Cedex
France
http://www.gardena.com/fr
N° AZUR: 0 810 00 78 23
(Prix d'un appel local)

Georgia

Transporter LLC
113b Belialshvili street
0159 Tbilisi, Georgia

Great Britain

Husqvarna UK Ltd
Preston Road
Aycliffe Industrial Park
Newton Aycliffe
County Durham
DL5 6UP
info.gardena@
husqvarna.co.uk

Greece

Π. ΠΑΠΑΔΟΠΟΥΛΟΣ ΑΕΒΕ
Λεωφ. Αθηνών 92
Αθήνα
Τ.Κ.104 42
Ελλάδα
Τηλ. (+30) 210 51 93 100
info@papadopoulos.com.gr

Hungary

Husqvarna Magyarország Kft.
Ezred u. 1-3
1044 Budapest
Telefon: (+36) 1 251-4161
vevoszolgalat.husqvarna@
husqvarna.hu

Iceland

BYKO ehf.
Bildshöfoa 20
110 Reykjavík

Ireland

Husqvarna UK Ltd
Preston Road
Aycliffe Industrial Park
Newton Aycliffe
County Durham
DL5 6UP
info.gardena@
husqvarna.co.uk

Italy

Husqvarna Italia S.p.A.
Via Santa Vecchia 15
23868 VALMADRERA (LC)
Phone: (+39) 0341.203.111
assistenza.italia@
it.husqvarna.com

Japan

Husqvarna Zenoah Co., Ltd.
1-9 Minamidai
Kawagoe
350-1165 Saitama
gardena-jp@
husqvarnagroup.com

Kazakhstan

LAMED Ltd.
155/1, Tazhibayevoy Str.
050060 Almaty
IP Schmidt
Abayavenue 3B
110 005 Kostanay

Korea

Kyung Jin Trading CO.,LTD.
107-4, SunDuk Bld.,
YangJae-dong,
Seocho-gu,
Seoul, (zipcode: 137-891)
Phone: (+82) (0)2 574-6300

Latvia

Husqvarna Latvija SIA
Ulbrokas 19A
LV-1021 Rīga
info@gardena.lv

Lithuania

UAB Husqvarna Lietuva
Ateities pl. 77C
LT-52104 Kaunas
info@gardena.lt

Luxembourg

Magasins Jules Neuberg
39, rue Jacques Stas
Luxembourg-Gasperich 2549
Case Postale No. 12
Luxembourg 2010
Phone: (+352) 40 14 01
api@neuberg.lu

Mexico

AFOSA
Av. Lopez Mateos Sur # 5019
Col. La Calma 45070
Zapopan, Jalisco
Mexico
Phone: (+52) 33 3818-3434
icornejo@afosa.com.mx

Moldova

Convel S.R.L.
290A Muncesti Str.
2002 Chisinau

Netherlands

Husqvarna Nederland B.V.
GARDENA Division
Postbus 50131
1305 AC ALMERE
Phone: (+31) 36 521 00 10
info@gardena.nl

Neth. Antilles

Jonka Enterprises N.V.
Sta. Rosa Weg 196
P.O. Box 8200
Curaçao
Phone: (+599) 9 767 66 55
pgm@jonka.com

New Zealand

Husqvarna New Zealand Ltd.
PO Box 76-437
Manukau City 2241
Phone: (+64) (0) 9 9202410
support.nz@husqvarna.co.nz

Norway

Husqvarna Norge AS
Gardena Division
Trøskenveien 36
1708 Sarpsborg
info@gardena.no

Peru

Husqvarna Perú S.A.
Jr. Ramón Cárcamo 710
Lima 1
Tel: (+51) 1 3320 400 ext. 416
juan.remuzgo@
husqvarna.com

Poland

Husqvarna
Poland Spółka z o.o.
ul. Wysockiego 15 b
03-371 Warszawa
Phone: (+48) 22 330 96 00
gardena@husqvarna.com.pl

Portugal

Husqvarna Portugal, SA
Lagoa - Albarraque
2635 - 595 Rio de Mouro
Tel.: (+351) 21 922 85 30
Fax : (+351) 21 922 85 36
info@gardena.pt

Romania

Madex International Srl
Soseaua Odaii 117-123,
RO 013603 București, S1
Phone: (+40) 21 352.76.03
madex@ines.ro

Russia / Россия

ООО „Хускварна“
141400, Московская обл.,
г. Химки,
улица Ленинградская,
владение 39, стр.6
Бизнес Центр
„Химки Бизнес Парк“,
помещение ОВ02_04
http://www.gardena.ru

Serbia

Domel d.o.o.
Autoput za Novi Sad bb
11273 Belgrade
Phone: (+381) 1 18 48 88 12
miroslav.jejina@domel.rs

Singapore

Hy-Ray PRIVATE LIMITED
40 Jalan Pemimpin
#02-08 Tat Ann Building
Singapore 577185
Phone: (+65) 6253 2277
shiyang@hyray.com.sg

Slovak Republic

Husqvarna Česko s.r.o.
Türkova 2319/5b
149 00 Praha 4 - Chodov
Bezplatná infolinka: 800 154 044
servis@sk.husqvarna.com

Slovenia

Husqvarna Austria GmbH
Industriezeile 36
4010 Linz
Tel.: (+43) 732 77 01 01-485
service.gardena@
husqvarnagroup.com

South Africa

Husqvarna South Africa (Pty) Ltd
Postnet Suite 250
Private Bag X6,
Cascades, 3202, South Africa
Phone: (+27) 33 846 9700
info@gardena.co.za

Spain

Husqvarna España S.A.
Calle de Rivas nº 10
28052 Madrid
Phone: (+34) 91 708 05 00
atencioncliente@gardena.es

Suriname

Deto Handelmaatschappij N.V.
Kernkampweg 72-74
P.O.Box: 12782
Paramaribo - Suriname
South America
Phone: (+597) 438050
www.deto.sr

Sweden

Husqvarna AB/
GARDENA Sverige
Drottninggatan 2
561 82 Huskvarna Sverige

Switzerland / Schweiz

Husqvarna Schweiz AG
Consumer Products
Industriestrasse 10
5506 Mägenwil
Phone: (+41) (0) 62 887 37 90
info@gardena.ch

Turkey

Dost Bahçe Diş Ticaret
Mümessillik A.Ş
Yunus Mah. Adil Sok. No:3
Ic Kapi No: 1 Kartal
34873 Istanbul
Phone: (+90) 216 38 93 939
info@dostbahce.com.tr

Ukraine / Україна

ТОВ «Хускварна Україна»
вул. Васильківська, 34,
офіс 204-г
03022, м. Київ
Тел. (+38) 0 800 504 804
info@gardena.ua

Uruguay

FELI SA
Entre Ríos 1083 CP 11800
Montevideo - Uruguay
Tel: (+598) 22 03 18 44
info@felisa.com.uy

Venezuela

Corporación Casa y Jardín C.A.
Av. Caroní, Edif. Trezmen, PB.
Colinas de Bello Monte.
1050 Caracas.
Tlf: (+58) 212 992 33 22
info@casayjardin.net.ve