



Art. 19030

**EN** **Operator's manual**  
**smart** Sensor

---

# GARDENA smart Sensor

---

|                            |    |
|----------------------------|----|
| 1. SAFETY .....            | 4  |
| 2. FUNCTION .....          | 6  |
| 3. INITIAL OPERATION ..... | 7  |
| 4. OPERATION .....         | 10 |
| 5. MAINTENANCE .....       | 12 |
| 6. STORAGE .....           | 13 |
| 7. TROUBLESHOOTING .....   | 14 |
| 8. TECHNICAL DATA .....    | 15 |
| 9. ACCESSORIES .....       | 16 |
| 10. SERVICE/WARRANTY ..... | 17 |

## Translation of the original instructions.



For safety reasons, children and young people under 16 as well as anyone who is not familiar with these operating instructions should not use the product. Persons with reduced physical or mental abilities may use the product only if they are supervised or instructed by a responsible person. Children must be supervised to ensure that they do not play with the product. Never operate the product when you are tired, ill or under the influence of alcohol, drugs or medicine.

### ***Intended use:***

The **GARDENA smart sensor** is designed exclusively for private use outdoors in home gardens, on allotments and in greenhouses. It controls the smart system by measuring soil moisture, light intensity and temperature.

The **smart Sensor** can only be used together with the **GARDENA smart Gateway**.



### **DANGER! Risk of injury!**

**The GARDENA smart Sensor must not be used for industrial purposes or in conjunction with chemicals, foodstuffs, easily flammable and explosive materials.**

## 1. SAFETY

**Important!**  
**Read the operator's manual carefully before use and keep for future reference.**



**DANGER!**  
**Risk of suffocation!**

**Small parts can be easily swallowed. There is also a risk that the polybag can suffocate toddlers. Keep toddlers away when you assemble the product.**



**DANGER! Cardiac arrest!**

**This product makes an electromagnetic field while it operates. This field may under some conditions interfere with active or passive medical implants. To decrease the risk of conditions that can possibly injure or kill, we recommend persons with medical implants to speak with their physician and the medical implant manufacturer before you operate the product.**

The product can be used in the temperature range  $-1\text{ }^{\circ}\text{C}$  –  $+50\text{ }^{\circ}\text{C}$  outdoors.

Do not set the sensor down with the tip facing upwards. The tip poses a risk of injury.

Examine the work area (the sensor must be located outside of the mowing area).

Do not use damaged products. Ensure that all parts are correctly disposed of with immediate effect (please see Chapter 6. STORAGE “Disposal / Disposing of flat batteries”).

Keep damaged parts out of the reach of children.

Regularly examine the product for damage.

There is a risk of tripping. Position the sensor in such a manner that it can be seen at all times.

Regularly examine the batteries for damage.

Do not use damaged batteries. Ensure that they are correctly disposed of (please see Chapter 6. STORAGE “Disposal/Disposing of flat batteries”).

Keep damaged batteries out of the reach of children.

Do not use the sensor in explosive areas.

The product will become hot when exposed to sunlight. Touching the product in such a condition can result in slight burns if touched.

Ensure that the product is only used within the stated temperature range (see Chapter 1. SAFETY:  $-1\text{ }^{\circ}\text{C}$  –  $+50\text{ }^{\circ}\text{C}$ ).

**Batteries:**

To ensure the Sensor runs safely, only 2 x alkalimanganese (alkaline) batteries type LR6 (AA) (Mignon) must be used for the authorized temperature range  $-1\text{ }^{\circ}\text{C}$  –  $+50\text{ }^{\circ}\text{C}$ .

**DANGER!**

**There is a risk of explosion if batteries are not replaced in the proper manner. See 6. STORAGE for information on how to dispose of used batteries.**

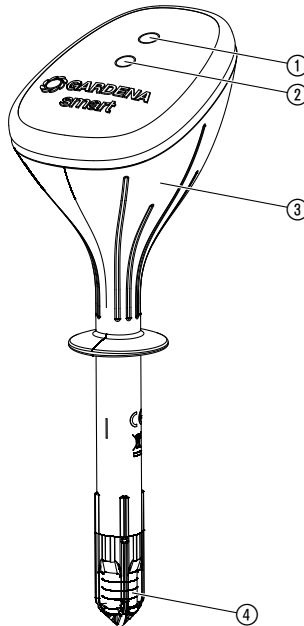
Do not use re-chargeable batteries.

To prevent failure of the Sensor due to weak batteries in conjunction with a lengthy absence, batteries should be replaced in due course. This will depend on the previous operating life of the batteries and the probable length of absence, which should not exceed 6 month in total.

## 2. FUNCTION

The Sensor measures the soil moisture at the root level of the plants, the lightness and the temperature automatically and sends the measured results to the Gateway. (The values can be read using the GARDENA smart system app).

### *Display/Sensors:*



① **Light sensor**

② **Connection-LED:**

**Green flashing:**

**Green for 20 sec:**

**Yellow for 20 sec:**

**Red for 20 sec:**

While connection

Signal strength high

Signal strength medium

Signal strength low

③ **Temperature sensor** (inside the product)

④ **Moisture sensor**

### 3. INITIAL OPERATION

#### ***To insert batteries:***

The batteries are not included in the scope of delivery.

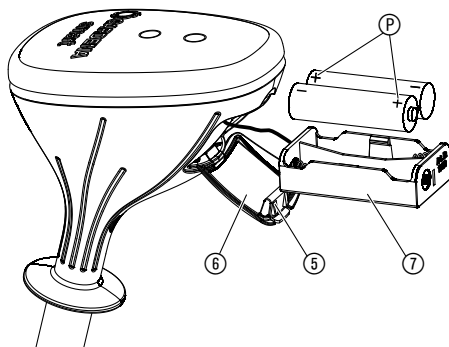
The Sensor must only be operated with 2 x alkalimanganese (alkaline) batteries type LR6 (AA) (Mignon).

The operating period is approx. 6 months. The operating period can vary depending on ambient temperature and transmission frequency.



#### **CAUTION!**

**Rechargeable batteries should not be used!**



1. Push the flap ⑤ and open the lid ⑥.
2. Remove the battery holder ⑦.
3. Insert the batteries into the battery holder ⑦.  
When doing so, ensure correct polarity ①.
4. Insert battery holder ⑦ in the sensor.
5. Close the lid ⑥.

## ***To select correct location:***

### **Correct location:**

The Sensor must be positioned at a location in the watering area which is exposed to the same climatic conditions as the plants (sun, wind, rain, etc.) for which a status is to be displayed.

### **Incorrect location:**

The Sensor should not be covered by neighbouring plants.  
Areas of shade should be avoided.

To rule out erroneous reaction results caused by waterlogging, the Sensor should not be positioned in dips in the ground.

The sensor should not be positioned in places, where lawnmowers mow.

In direct sunlight, it should be noted that the measured ambient temperature can differ from the actual temperature.

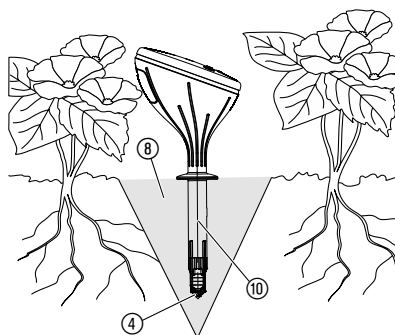


## To plant the Sensor:



### CAUTION!

The tip of the sensor will only measure the soil moisture correctly if the sensor tip is in full contact with the ground on all sides! No air should be trapped at the sensor tip in the ground.



1. Dig a funnel-shaped hole in the ground ⑧ at least 12 cm deep.
2. Break up the soil ⑧ removed and take out any stones.
3. If the soil is dry, moisten.
4. Replace the damp broken-up soil ⑧ in the funnel-shaped hole without packing tight.
5. Immerse entire sensor tip ④ in water (felt must be wet).
6. Insert the Sensor to the upper edge of the sensor ⑩ in the broken-up soil ⑧.  
*Here the sensor tip ④ must be in full contact with the damp soil on all sides.*
7. Press down the soil ⑧ around the sensor ⑩ lightly.  
*The Sensor should not stand loose in the ground.*
8. Water the area around the Sensor with approx. 1 litre water.  
*Depending on the ground it may take several hours until the Sensor measures the actual soil moisture.*

### **HINT: To Connect GARDENA Micro-Drip-System:**

To ensure that the quantity of water delivered is registered by the sensor tip when using the GARDENA Micro-Drip-System, a drip head should be installed directly above the sensor.

## 4. OPERATION

---

### ***Operation with the GARDENA smart system App:***

You can use the **GARDENA smart system app** to control all smart system products from anywhere at any time. You can download the free **GARDENA smart system app** from the Apple App Store or from the Google Play Store.

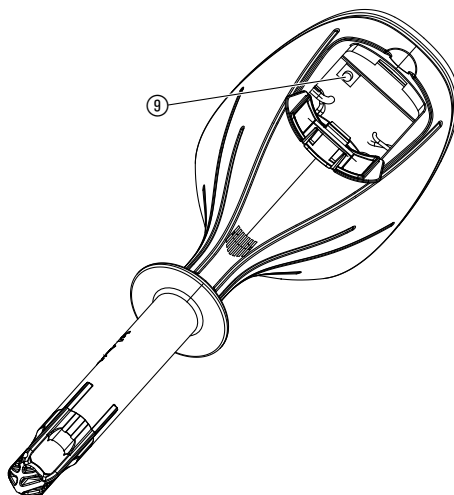
In order to include, a **GARDENA smart Gateway** with internet connectivity is needed. All GARDENA smart products are integrated via the app. Follow the instructions inside the App.

### ***Displays of the sensor:***

- Soil moisture (0 – 100 %)
- Light intensity (0 – 200,000 Lux)
- Temperature (– 1 – + 50 °C)
- Battery status

## Factory Reset:

The smart Sensor will be reset to the factory settings.



→ Push the Reset key ⑨ for a short time.  
*New connection.*

**- or -**

→ Push and hold down the Reset key ⑨ for at least 5 seconds.  
*Cancels the existing connection and allows a new connection to be established, e. g. different Gateway.*

## Usages:

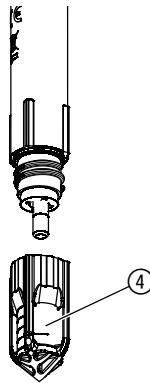
To keep the soil moisture level as constant as possible, irrigation should be carried out with short watering cycles and short watering times. This especially applies to flower boxes on balconies, which have a watering time of < 5 min.

The spread of moisture in the soil after watering or rainfall is rather slow. In the worst-case scenario it may happen that irrigation and a rain shower overlap until the required soil moisture is attained.

## 5. MAINTENANCE

---

### ***To clean/replace the sensor tip:***



Whenever the Sensor is relocated, the sensor tip should be cleaned/replaced. The felt on the tip should not come into contact with grease/oil.

→ Clean sensor tip ④ with clear water.

If the felt becomes damaged, the sensor tip can be re-ordered from GARDENA Service.

→ Unscrew sensor tip ④ and screw on new tip.

### ***To clean the sensor:***

No caustic/abrasive cleaning agents should be used.

→ **Clean the sensor with a damp cloth (do not use solvent).**

## 6. STORAGE

---

### ***To put into storage:***

The product must be stored away from children.

1. To preserve the batteries, these should be removed (see 3. INITIAL OPERATION).
2. Stow the Sensor in a dry area where it has protection from frost.

### ***Disposal:***

*(in accordance with RL2012/19/EC)*



The product must not be disposed of to normal household waste. It must be disposed of in line with local environmental regulations.

### **IMPORTANT!**

Dispose of the product through or via your municipal recycling collection centre.

### ***Disposing of flat batteries:***

Please return flat batteries to a GARDENA dealer or dispose of them properly at your nearest recycling centre.

Only dispose of batteries when they are flat.

## 7. TROUBLESHOOTING

---



**NOTE:** For any other malfunctions please contact the GARDENA service department. Repairs must only be done by GARDENA service departments or specialist dealers approved by GARDENA.

## 8. TECHNICAL DATA

| <i>smart Sensor</i>                           | Unit        | Value (Art. 19030-20)   |
|---|-------------|---|
| <b>Operation temperature range (outdoors)</b> | °C          | -1 – +50  |
| <b><i>SRD:</i></b>                            |             |   |
| <b>Frequency range</b>                        | MHz         | 863 – 870   |
| <b>Maximum power</b>                          | mW          | 25  |
| <b>Free field radio range</b>                 | m (approx.) | 100   |
| <b>Soil moisture</b>                          | %           | 0 – 100   |
| <b>Light intensity</b>                        | Lux         | 0 – 200.000   |
| <b>Batteries required</b>                     |             | 2 x alkalimanganese (alkaline) batteries type LR6 (AA) (Mignon) |
| <b>Operating time of the batteries</b>        |             | approx. 6 months with alkaline batteries (min. 2000 mAh)        |

### ***EC Declaration of Conformity:***

Hereby, GARDENA Manufacturing GmbH declares that the radio equipment type (Art. 19030) is in compliance with directive 2014/53/EU.

The full text of the EC declaration of conformity is available at the following internet address:

**<http://www.gardena.com/int/support/safety-regulations>**

## 9. ACCESSORIES

---

**GARDENA sensor tip  
with felt**

For replacement if sensor tip  
is damaged.

**Art. 19030-00.620.00  
(from GARDENA  
Service)**



## 10. SERVICE/WARRANTY

---

### **Service:**

Please contact the address on the back page.

### **Warranty statement:**

In the event of a warranty claim, no charge is levied to you for the services provided.

GARDENA Manufacturing GmbH grants a warranty for all original GARDENA new products for two years from the date of original purchase from the retailer, provided that the devices have been for private use only. This manufacturer's warranty does not apply to products acquired second hand. This warranty includes all significant defects of the product that can be proved to be material or manufacturing faults. This warranty is fulfilled by supplying a fully functional replacement product or by repairing the faulty product sent to us free of charge; we reserve the right to choose between these options. This service is subject to the following provisions:

- The product has been used for its intended purpose as per the recommendations in the operating instructions.
- Neither the purchaser nor a third party has attempted to open or repair the product.
- Only Original GARDENA replacement parts and wear parts have been used for operation.
- Presentation of the receipt.

Normal wear and tear of parts and components (such as blades, blade fixing parts, turbines, light bulbs, V-belts/toothed belts, impellers, air filters, spark plugs), visual changes, wear parts and consumables are excluded from the warranty.

This manufacturer's warranty is limited to replacement and repair of products in accordance with the abovementioned conditions. The manufacturer's warranty does not constitute an entitlement to lodge other claims against us as a manufacturer, such as for damages. This manufacturer's warranty does **not**, of course, affect statutory and contractual warranty claims against the dealer/retailer.

The manufacturer's warranty is governed by the law of the Federal Republic of Germany.

In case of a warranty claim, please return the faulty product, together with a copy of the receipt and a description of the fault, with postage paid to the service address.

***Consumables:***

As a wear part the sensor tip with felt is not covered by the guarantee.

Faults which occur as a result of incorrectly installed or leaking batteries are not covered by the guarantee.

***Product liability:***

In accordance with the German Product Liability Act, we hereby expressly declare that we accept no liability for damage incurred from our products where said products have not been properly repaired by a GARDENA approved service partner or where original GARDENA parts or parts authorised by GARDENA were not used.

**Deutschland / Germany**

**GARDENA**  
 Manufacturing GmbH  
 Central Service  
 Hans-Lorenser-Straße 40  
 D-89079 Ulm  
 Produktfragen:  
 (+49) 731 490-123  
 Reparaturen:  
 (+49) 731 490-290  
 service@gardena.com

**Albania**

**COBALT** Sh.p.k.  
 Rr. Siri Kodra  
 1000 Tirana

**Argentina**

Husqvarna Argentina S.A.  
 Av.del Libertador 5954 –  
 Piso 11 – Torre B  
 (C1248ARP) Buenos Aires  
 Phone: (+54) 11 5194 5000  
 info.gardena@  
 ar.husqvarna.com

**Armenia**

Garden Land Ltd.  
 61 Tigran Mets  
 0005 Yerevan

**Australia**

Husqvarna Australia Pty. Ltd.  
 Locked Bag 5  
 Central Coast BC  
 NSW 2252  
 Phone: (+61) (0) 2 4352 7400  
 customer.service@  
 husqvarna.com.au

**Austria / Österreich**

Husqvarna Austria GmbH  
 Industriezeile 36  
 4010 Linz  
 Tel.: (+43) 732 77 01 01-485  
 service.gardena@  
 husqvarnagroup.com

**Azerbaijan**

Firm Progress  
 a. Aliyev Str. 26A  
 1052 Bakı

**Belgium**

Husqvarna België nv/sa  
 Gardena Division  
 Rue Egide Van Ophem 111  
 1180 Uccle / Ukkel  
 Tel.: (+32) 2 720 92 12  
 info@gardena.be

**Bosnia / Herzegovina**

**SILK TRADE** d.o.o.  
 Industrijska zona Bukva bb  
 74260 Tešanj

**Brazil**

Husqvarna do Brasil Ltda  
 Av. Francisco Matarazzo,  
 1400 – 19º andar  
 São Paulo – SP  
 CEP: 05001-903  
 Tel: 0800-112252  
 marketing.br.husqvarna@  
 husqvarna.com.br

**Bulgaria**

**AGROLAND** България АД  
 бул. 8 Декември, №13  
 015 5  
 1700 Студентски град  
 София  
 Тел.: (+359) 246669 10  
 info@agroland.eu

**Canada / USA**

**GARDENA** Canada Ltd.  
 100 Summerlea Road  
 Brampton, Ontario L6T 4X3  
 Phone: (+1) 905 792 9330  
 info@gardenacanada.com

**Chile**

Maquinarias Agroforestales  
 Ltda. (Maga Ltda.)  
 Santiago, Chile  
 Avda. Chesterton  
 # 8355 comuna Las Condes  
 Phone: (+56) 2 202 4417  
 Zatonc@maga.cl  
 Direccion: 7560330

**China**

Husqvarna (Shanghai)  
 Management Co., Ltd.  
 富世华 (上海) 管理有限公司  
 3F, Benq Square B,  
 No207, Song Hong Rd.,  
 Chang Ning District,  
 Shanghai, PRC. 200335  
 上海市长宁区淞虹路207号明  
 基广场B座3楼, 邮编: 200335

**Colombia**

Husqvarna Colombia S.A.  
 Calle 18 No. 68 D-31, zona  
 Industrial de Montevideo  
 Bogotà, Cundinamarca  
 Tel. 571 2922700 ext. 105  
 jairo.salazar@  
 husqvarna.com.co

**Costa Rica**

Compania Exim  
 Euroberoamericana S.A.  
 Los Colegios, Moravia,  
 200 metros al Sur del Colegio  
 Saint Francis – San José  
 Phone: (+506) 297 6883  
 exim\_euro@racsca.co.cr

**Croatia**

Husqvarna Austria GmbH  
 Industriezeile 36  
 4010 Linz  
 Tel.: (+43) 732 77 01 01-485  
 service.gardena@  
 husqvarnagroup.com

**Cyprus**

Med Marketing  
 17 Digeni Akrita Ave  
 P.O. Box 27017  
 1641 Nicosia

**Czech Republic**

Husqvarna Česko s.r.o.  
 Türkova 2319/5b  
 149 00 Praha 4 – Chodov  
 Bezpłatná infolinka:  
 800 100 425  
 servis@cz.husqvarna.com

**Denmark**

**GARDENA DANMARK**  
 Løjrvæg 19, st.  
 3500 Værløse  
 Tlf.: (+45) 70 26 4770  
 husqvarna@husqvarna.dk  
 www.gardena.com/dk

**Dominican Republic**

**BOSQUESA, S.R.L**  
 Carretera Santiago Licey  
 Km. 5 ½  
 Esquina Copal II,  
 Santiago  
 Dominican Republic  
 Phone: (+809) 736-0333  
 josebrosquesa@claro.net.do

**Ecuador**

Husqvarna Ecuador S.A.  
 Arupos E1-181 y 10 de  
 Agosto Quito, Pichincha  
 Tel. (+593) 22600739  
 francisco.jacom@  
 husqvarna.com.ec

**Estonia**

Husqvarna Eesti OÜ  
 Valdeku 132  
 EE-11216 Tallinn  
 info@gardena.ee

**Finland**

Oy Husqvarna Ab  
 Gardena Division  
 Lautatarhankatu 8 B / PL 3  
 00581 HELSINKI  
 www.gardena.fi

**France**

Husqvarna France  
 9/11 Allée des pierres mayettes  
 92635 Gennevilliers Cedex  
 France  
 http://www.gardena.com/fr  
 N° AZUR: 0 810 00 78 23  
 (Prix d'un appel local)

**Georgia**

Transporter LLC  
 8/57 Bellashvili street  
 0159 Tbilisi, Georgia  
 Phone: (+995) 322 14 71 71

**Great Britain**

Husqvarna UK Ltd  
 Preston Road  
 Aycliffe Industrial Park  
 Newton Aycliffe  
 County Durham  
 DL5 6UP  
 info.gardena@  
 husqvarna.co.uk

**Greece**

Π. ΠΑΠΑΔΟΠΟΥΛΟΣ ΑΕΒΕ  
 Λεωφ. Αθηνών 92  
 Αθήνα  
 Τ.Κ. 104 42  
 Ελλάδα  
 Τηλ. (+30) 210 51 93 100  
 info@papaopoulos.com.gr

**Hungary**

Husqvarna Magyarországi Kft.  
 Ezred u. 1-3  
 1044 Budapest  
 Telefon: (+36) 1 251-4161  
 vezoszolgalat.husqvarna@  
 husqvarna.hu

**Iceland**

O. Johnson & Kaaber  
 Tunguhalts 1  
 110 Reykjavik  
 oo@ojk.is

**India**

Husqvarna UK Ltd  
 Preston Road  
 Aycliffe Industrial Park  
 Newton Aycliffe  
 County Durham  
 DL5 6UP  
 info.gardena@  
 husqvarna.co.uk

**Italy**

Husqvarna Italia S.p.A.  
 Via Santa Vecchia 15  
 23868 VALMADRERA (LC)  
 Phone: (+39) 0341.203.111  
 assistenza.italia@  
 it.husqvarna.com

**Japan**

**KAKUICHI** Co. Ltd.  
 Sumitomo Realty &  
 Development Kojimachi  
 BLDG., 8F  
 5-1 Nibanenryo  
 Chiyoda-ku  
 Tokyo 102-0084  
 Phone: (+81) 33 264 4721  
 m\_ishihara@kaku-ichi.co.jp

**Kazakhstan**

**LAMED** Ltd.  
 155/1, Tazhibayev Str.  
 050060 Almaty  
 IP Schmidt  
 Abayavenue 3B  
 110 005 Kostanay

**Korea**

Kyung Jin Trading Co., LTD.  
 108-4, SunDuk Bld.,  
 YangJae-dong,  
 Seocho-gu,  
 Seoul, (zipcode: 137-891)  
 Phone: (+82) (0)2 574-6300

**Kyrgyzstan**

Alye Maki  
 av. Molodaya Guardir J 3  
 720014  
 Bishkek  
 Husqvarna Latvija SIA  
 Ulbrokas 19A  
 LV-1021 Riga  
 info@gardena.lv

**Lithuania**

**UAB Husqvarna Lietuva**  
 Ateities pl. 77C  
 LT-52104 Kaunas  
 info@gardena.lt

**Luxembourg**

Magasins Jules Neuberg  
 39, rue Jacques Stas  
 Luxembourg-Gasperich 2549  
 Case Postale No. 12  
 Luxembourg 2010  
 Phone: (+352) 40 14 01 01  
 ap@neuberg.lu

**Mexico**

**AFOSA**  
 Av. Lopez Mateos Sur # 5019  
 Col. La Calma 45070  
 Zapopan, Jalisco  
 Mexico  
 Phone: (+52) 33 3818-3434  
 icornejo@afosa.com.mx

**Moldova**

Convel S.R.L.  
 290A Munceşti Str.  
 2002 Chisinau

**Netherlands**

Husqvarna Nederland B.V.  
**GARDENA** Division  
 Postbus 50131  
 1305 AC ALMERE  
 Phone: (+31) 36 521 00 10  
 info@gardena.nl

**Neth. Antilles**

Jonka Enterprises N.V.  
 St. Rosa Weg 196  
 P.O. Box 8200  
 Curaçao  
 Phone: (+599) 9 767 66 55  
 pgm@jonka.com

**New Zealand**

Husqvarna New Zealand Ltd.  
 PO Box 76-437  
 Manukau City 2241  
 Phone: (+64) (0) 9 9202410  
 support.nz@husqvarna.co.nz

**Norway**

Husqvarna Norge AS  
 Gardena Division  
 Trøskneveien 36  
 1708 Sarpsborg  
 info@gardena.no

**Peru**

Husqvarna Perú S.A.  
 Jr. Ramón Cárcamo 710  
 Lima 1  
 Tel.: (+51) 1 3320 400 ext. 416  
 juan.remuzgo@  
 husqvarna.com

**Poland**

Husqvarna  
 Poland Spółka z o.o.  
 ul. Wysockiego 15 b  
 03-371 Warszawa  
 Phone: (+48) 22 330 96 00  
 gardena@husqvarna.com.pl

**Portugal**

Husqvarna Portugal, SA  
 Lagoa - Albarraque  
 2635 - 595 Rio de Mouro  
 Portugal  
 Tel.: (+351) 21 922 85 30  
 Fax: (+351) 21 922 85 36  
 info@gardena.pt

**Romania**

Madex International Srl  
 Soseaua Odail 117-123,  
 RO 013603 Bucuresti, S 1  
 Phone: (+40) 21 352.76.03  
 madex@mes.ro

**Russia / Россия**

**ООО "Хускварна"**  
 114100, Московская обл.,  
 г. Химки,  
 улица Ленинградская,  
 владение 39, стр.6  
 Бизнес Центр  
 "Химки Бизнес Парк",  
 по почтовому адресу 0802\_04  
 http://www.gardena.ru

**Serbia**

Domel d.o.o.  
 Autoput za Novi Sad bb  
 11279 Belgrade  
 Phone: (+381) 11 848 88 12  
 miroslav.jejina@domel.rs

**Singapore**

Hy-Ray PRIVATE LIMITED  
 40 Jalan Pemimpin  
 #02-08 Tat Ann Building  
 Singapore 577185  
 Phone: (+65) 6253 2277  
 shiying@hyray.com.sg

**Slovak Republic**

Husqvarna Česko s.r.o.  
 Türkova 2319/5b  
 149 00 Praha 4 – Chodov  
 Bezpłatná infolinka:  
 800 154 044  
 servis@sk.husqvarna.com

**Slovenia**

Husqvarna Austria GmbH  
 Industriezeile 36  
 4010 Linz  
 Tel.: (+43) 732 77 01 01-485  
 service.gardena@  
 husqvarnagroup.com

**South Africa**

Husqvarna  
 South Africa (Pty) Ltd  
 Postnet Suite 250  
 Private Bag X6,  
 Cascades, 3202  
 South Africa  
 Phone: (+27) 33 846 9700  
 info@gardena.co.za

**Spain**

Husqvarna España S.A.  
 Calle de Rivas nº10  
 28052 Madrid  
 Phone: (+34) 91 708 05 00  
 atencioncliente@gardena.es

**Suriname**

Agrofix n.v.  
 Verlengde Hogestraat # 22  
 Phone: (+597) 472426  
 agrofix@sr.net  
 Pobox: 2006  
 Paramaribo  
 Suriname – South America

**Sweden**

Husqvarna AB  
 Gardena Division  
 S-561 82 Huskvarna  
 gardenaorder@husqvarna.se

**Switzerland / Schweiz**

Husqvarna Schweiz AG  
 Consumer Products  
 Industriestrasse 10  
 5506 Mägenwil  
 Phone: (+41) (0) 62 887 37 90  
 info@gardena.ch

**Turkey**

Dost Bahçe Diş Ticaret  
 Müessesli A.Ş.  
 Yunus Mah. Adil Sok. No:3  
 İc Kapı No: 1 Kartal  
 34873 İstanbul  
 Phone: (+90) 216 38 93 939  
 info@doztbahce.com.tr

**Ukraine / Україна**

**ТОВ "Хускварна Україна"**  
 вул. Васильківська, 34,  
 офіс 204-р  
 03022, м. Київ  
 Тел. (+380) 44 998 39 02  
 info@gardena.ua

**Uruguay**

**FELI SA**  
 Entre Rios 1083 CP 11800  
 Montevideo – Uruguay  
 Tel: (+598) 22 03 18 44  
 info@felisa.com.uy

**Venezuela**

Corporación Casa y Jardín C.A.  
 Av. Caroni, Edif. Trezmen, PB.  
 Colinas de Bello Monte.  
 1050 Caracas.  
 Tlf: (+58) 212 992 33 22  
 info@casayjardin.net.ve

19030 20.962.01/1219  
 © GARDENA  
 Manufacturing GmbH  
 D-89070 Ulm  
 http://www.gardena.com