

Comfort 5000/5E LCD

Art. 1759

Premium 6000/6E LCD Inox

Art. 1760

DE Betriebsanleitung
Hauswasserautomat

EN Operating Instructions
Electronic Pressure Pump

FR Mode d'emploi
Station de pompage

NL Gebruiksaanwijzing
Elektronische hydrofoorpomp

SV Bruksanvisning
Pumpautomat

DA Brugsanvisning
Husvandværk

FI Käyttöohje
Painevesipumppu

NO Bruksanvisning
Trykkpumpe

IT Istruzioni per l'uso
Pompa ad intervento automatico

ES Instrucciones de empleo
Estación de bombeo

PT Manual de instruções
Bomba de pressão

PL Instrukcja obsługi
Hydrofor

HU Használati utasítás
Háztartási automata szivattyú

CS Návod k obsluze
Domácí vodní automat

SK Návod na obsluhu
Domáci vodný automat

EL Οδηγίες χρήσης
Συσκευή παραγωγής νερού
οικιακής χρήσης

RU Инструкция по эксплуатации
Автоматический напорный
насос

SL Navodilo za uporabo
Hišna vodni avtomat

HR Upute za uporabu
Kućni automat za vodu

SR/ BS Uputstvo za rad
Hidropak

UK Інструкція з експлуатації
Помпа напірна автоматична

RO Instrucțiuni de utilizare
Hidroforul Electronic

TR Kullanma Kılavuzu
Konut suyu hidroforları

BG Инструкция за експлоатация
Помпа с електронен пресостат
за високо налягане

SQ Manual përdorimi
Automati i ujit i shtëpisë

ET Kasutusjuhend
Pump-veeautomaat

LT Eksploatavimo instrukcija
Buitinis automatinis slėgimo
siurblys

LV Lietošanas instrukcija
Elektroniskais ūdens sūknis

GARDENA Electronic Pressure Pump

Comfort 5000/5E LCD / Premium 6000/6E LCD Inox

1. Safety Instructions	18
2. Function	20
3. Installation	20
4. Operation	22
5. Menu settings	24
6. Storage	26
7. Maintenance	27
8. Troubleshooting	28
9. Available accessories	32
10. Technical Data	32
11. Service/Warranty	33

Original instructions.

Never operate the product when you are tired, ill or under the influence of alcohol, drugs or medicine.



This product may be used under supervision, or if instruction regarding the safe use of the product has been provided and the resulting dangers have been understood, by children aged 8 and above, as well as by persons with physical, sensory or mental disabilities or a lack of experience and knowledge. Children must not be allowed to play with the product. Cleaning and user maintenance must not be performed by children without supervision. The use of this product by young people under the age of 16 is not recommended.

Intended use:

GARDENA Electronic Pressure Pumps have been designed for private use around the house and garden. Electronic Pressure Pumps are predominantly used for operating watering systems and systems in private gardens.

When using the pump for pressure intensification, the maximum permissible internal pressure of 6 bar (on the delivery side) must not be exceeded. The delivery pressure to be increased and the pump pressure have to be added together.

- Example: pressure at the tap = 1.0 bar, maximum pressure of the Electronic Pressure Pump Comfort 5000/5E LCD = 4.5 bar, total pressure = 5.5 bar.

Liquids pumped:

The GARDENA Electronic Pressure Pump can be used for pumping rainwater, tap water and chlorinated water.

IMPORTANT! The GARDENA Electronic Pressure Pump is not suitable for continuous operation (e.g. industrial applications, continuous circulating operation). Corrosive, easily combustible, aggressive or explosive liquids (such as gasoline, petroleum or nitrothinner), salt-water and food intended for consumption must not be pumped. The temperature of the liquid must not exceed 35 °C. Before the beginning of the frost period, the Electronic Pressure Pump must be drained and placed in frost-proof storage (see 6. Storage).

1. Safety Instructions

Electrical safety



DANGER! Electric shock!
Risk of injury due to electric shock!

→ Always unplug your pump before filling, after operation, before troubleshooting and before carrying out any maintenance work.

The pump must be supplied through a residual current device (RCD) having a rated residual operating current not exceeding 30 mA.

The pump must be located on solid, even ground, protected from flooding. Take care that the pump cannot fall into water.

As an additional safety device an approved safety switch can be used.

→ Please ask your electrician for his advice.

When connecting the pump to the water supply system, the country-specific sanitary regulations must be observed to prevent water not of drinking water quality being drawn back in.



DANGER! Electric shock!

The pump must not be used when people are in water.

Make sure that the electrical plug and socket connections are fitted in an area which cannot be flooded.

Protect the power plug from moisture.



DANGER! Electric shock!

With a cut off mains plug, moisture can get into electrical parts via the mains cable and cause a short circuit.

Do not cut the mains plug off (e. g. to feed through a wall).

Do not use the power cable for plugging off.

→ If the supply cord is damaged, it must be replaced by the manufacturer, its service agent or similarly qualified persons in order to avoid a hazard.

Extension cables

Data indicated on the type plate must match the technical data of the mains supply.

Following DIN VDE 0620 the power cable as well as any extension cable must not have a smaller diameter than rubber sheathed cables described with letter symbols H07RN-F.

→ If the supply cord is damaged, it must be replaced by the manufacturer, its service agent or similarly qualified persons in order to avoid a hazard.

Protect the power cable from heat, oil and sharp edges.

→ Do not use the power cable for carrying the pump or for unplugging.

In Austria

In Austria the electrical connection must satisfy the ÖVE-EM 42, T2 (2000)/1979 § 22 to

§ 2022.1. This requires that pumps used for swimming pools and garden ponds may only be powered through an isolating transformer.

→ Please ask your electrician for his advice.

In Switzerland

In Switzerland portable devices that are used outdoors must be connected through a residual-current device.

General Information



DANGER! Scalding from hot water!

The water can get very hot during operation (particularly if only small quantities are drawn).

→ **Before carrying out any work on the pump, allow it to cool down (for at least 30 minutes).**

Visual check

→ Before operating the pump, first make a visual check to ensure there is no damage to the pump (especially regarding power cable and plug).

A damaged pump must not be used.

→ In case of damage, please have the pump checked by our GARDENA Service Centre or by an authorised electrician.

Safety in operation

Protect the pump from rain. Do not use the pump in a wet or moist area.

In order to avoid dry-running of the pump, take care that the end of the suction hose is always submerged into the water.

→ Before each operation, fill the pump to overflowing with approx. 2 to 3 l of water to be pumped!

Very fine sand can pass through the integrated filter (mesh size 0.45 mm) and cause accelerated wear in the hydraulic parts.

→ For sandy water, you should additionally use the GARDENA pump pre-filter, art. no. 1730 (mesh size 0.1 mm).

Please ensure that no unauthorised persons or children are within reach of the pump and the pumped medium without supervision.

When using the pump for domestic water supply, please adhere to the local water and sewerage regulations. In addition observe the regulations of DIN 1988.

→ If necessary, contact your local water authority.

DANGER! This product makes an electromagnetic field while it operates. This field may under some conditions interfere with active or passive medical implants. To decrease the risk of conditions that can possibly injure or kill, we recom-

mend persons with medical implants to speak with their physician and the medical implant manufacturer before you operate the product.

DANGER! Small parts can be easily swallowed. There is also a risk that the polybag can suffocate toddlers. Keep toddlers away when you assemble the product.

2. Function

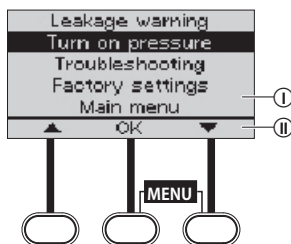
Low quantity programme:

The Electronic Pressure Pump is equipped with an electronic control which automatically turns on the pump when the cut-in pressure has fallen and automatically switches off when no more water is extracted.

The integrated small amount programme allows for trouble-free use of, for example, modern washing machines or drip irrigation systems even with low water flow.

Error diagnosis system:

The pump has an error diagnosis system which shows different fault statuses and their remedies via the display (see 8. Troubleshooting).



Display

Updated information on the operating conditions can be shown depending on the display, and various settings can be undertaken.

The display consists of a display area ① and a toolbar ②, which states the respective functions of the 3 buttons e.g.:

Left button



Scroll menu upwards to "Leakage warning".

Centre button



Call up the "Turn on pressure" menu.

Right button



Scroll menu down to "Troubleshooting".

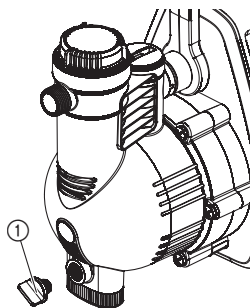
3. Installation

Positioning of Electronic Pressure Pump:

The installation position must be firm and dry, and permit a secure mounting for the Electronic Pressure Pump.

→ Install the Electronic Pressure Pump at a safe distance (min. 2 m) from the pumping medium.

The pump must be installed in a location with an air humidity of < 80 % and sufficient ventilation in the area of the ventilation slots. It must be at a distance of at least 5 cm from the walls. No dirt contamination (e.g. sand or earth) may be sucked in through the ventilation slots.



Set up the Electronic Pressure Pump so that it is prevented from slipping and that an appropriately large collecting vessel for draining the pump or the system can be placed under the drain screw ①.

If possible, install the Electronic Pressure Pump higher than the surface of the water to be pumped. If this is not possible, install a vacuum-resistant shut-off device between the Electronic Pressure Pump and the suction hose, for example for cleaning the integrated filter.

If the system is being installed permanently, please fit suitable shut-off devices on both the intake and delivery sides. Important for maintenance and cleaning work on the Electronic Pressure Pump or for shutdown, for example.

Connections:

The GARDENA connection pieces on the intake and delivery sides may only be tightened by hand. Check whether the seal ring is present and undamaged before screwing the suction hose onto the suction inlet. When using metal connections, damage could occur on the connection thread due to inappropriate assembly. Therefore, screw on the connection fittings with the upmost care. Use sealing tape only for sealing metallic connection fittings.

Suction inlet:

Do not use any water hose snap connection system components on the intake side! A vacuum-tight suction hose must be used e.g.:

- GARDENA Suction Hose **Art. no. 1411 / 1418**
- GARDENA Bore Hole Suction Hose **Art. no. 1729**
- GARDENA Suction Hose sold by the metre and **Art. no. 1723 / 1724.**

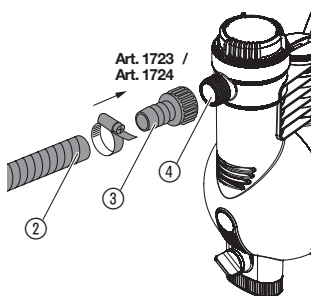
If very fine dirt is present, we recommend the use of a **GARDENA pump preliminary filter Art. no. 1730 / 1731** in addition to the integrated filter.

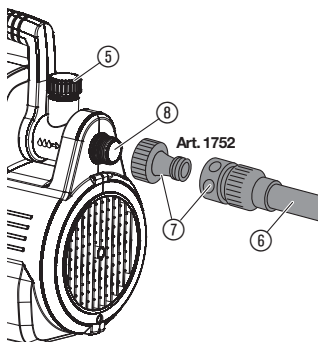
To reduce the pump repriming time, we recommend:

- Using a suction hose with backflow preventer, which prevents the suction hose emptying automatically when the Electronic Pressure Pump is switched off.

Particularly important for fixed installation:

- With larger suction heads, use a suction hose with a smaller diameter (3/4").
1. Connect the vacuum resistant suction hose, sold by the metre ②, using the suction hose fitting ③ (e.g. **Art. no. 1723/1724**) with the connector on the suction side ④ and screw on airtight.
 2. For suction heights exceeding 4 m also secure the suction hose (e.g. by fastening it to a wooden post).
The pump and the suction hose are relieved from the weight of the water.



Pressure outlet:

The hose can be connected either to the delivery side 33.3 mm (G 1)-thread of the 120° swivelling connection and/or of the horizontal connection. Use pressure-resistant hoses such as:

- GARDENA Garden Hose (3/4") **Art. no. 18113** with GARDENA Connection Set **Art. no. 1752**.

Open the spray nozzle at the water hose, open the water tap, operate the toilet flush.

If the pump is permanently installed indoors for domestic water supply, the Electronic Pressure Pump should not be connected to the domestic water pipework with rigid pipes but with flexible tubing (e.g. reinforced hoses), to reduce noise and to avoid damage to the pump caused by pressure blows.

Install fixed pipes at an upward gradient on the first 2 m only.

4. Operation

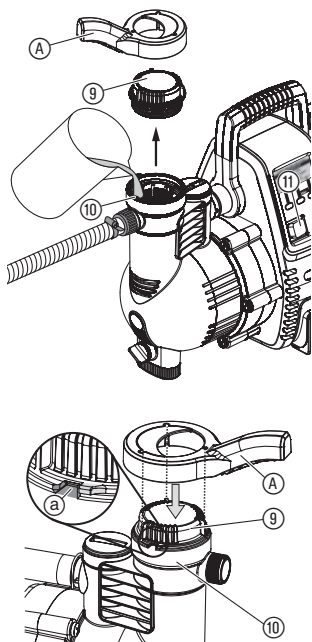
Filling the Electronic Pressure Pump:



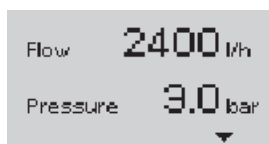
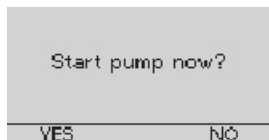
DANGER! Electric shock!

Risk of injury due to electric shock!

→ **Before filling the Electronic Pressure Pump, unplug the equipment from the mains.**



1. Unscrew the lid ⑨ of the filter chamber with the spanner ① provided.
2. Slowly fill in the liquid to be pumped via the filler connection ⑩ up to the overflow (approx. 2 to 3 l) until the water level no longer drops under the suction side inlet or the water flows out at the horizontal connector. With fixed installations, unscrew the black lid ⑭ and fill with liquid until it flows towards the horizontal connector.
3. Empty any water remaining in the delivery hose so that the air can escape during filling and priming.
4. Open any shut-off devices in the delivery line (watering accessories, tap, etc.) so that air can escape before the priming procedure begins. If the delivery line cannot be emptied due to fixed installation, unscrew the black lid. Considerable amounts of liquid may escape. Please keep a sufficiently large receptacle at hand for collection.
5. Tighten the lid ⑨ of the filter chamber up to the stopper ①.
6. Lift up the delivery hose just behind the pressure outlet.
7. Insert mains plug into a 230 V/50 Hz AC socket.
8. Change the switch ⑪ to I.
The switch is illuminated.



During commissioning, the display language must first be selected.

9. Select the required display language using the **right** or **left button** and confirm with the **centre button** **OK**.

10. The display now reads "Start pump now?"
Press the **left button** **YES**.

11. The pump starts after approx. 2 seconds and the GARDENA sun will rotate in the display during the suction process.

12. Close the shut-off devices in the delivery pipeline again when the pump begins to continuously convey water.

The specified max. self-priming suction height (see 10. Technical Data) is only achieved if the pump is filled via the filler connection ⑩ until it overflows and the delivery hose is held high enough just behind the pressure outlet during the first self-priming that no pumped medium can escape from the pump via the delivery hose. It is not necessary to hold up the delivery hose if filled suction hoses with backflow preventer are used.

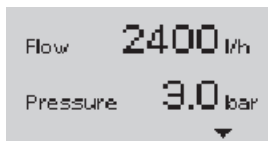
The suction process can take up to 6 min. If no water is pumped afterwards, the Electronic Pressure Pump will shut down automatically and display Error 2.

13. The pump turns off automatically approx. 10 seconds after closing the shut-off device. The normal operation (Standby) has been reached.

Displays in the LC display during the different operating conditions

Suction process (GARDENA sun rotates).

The suction process runs.



The pump conveys water.

The current flow and the current pressure during operation are shown.



The Electronic Pressure Pump is ready for operation.

“Sleep mode”, no water removal.



Delivery capacities (“Volume Counter”)

The total delivery capacity (since commissioning) and partial delivery capacity (“Temp. Volume”) (since last reset) are shown.

The “Volume Counter” display can be called up from the “Flow/Pressure” display or from the “Standby” display by pressing the **right button** (display for approx. 5 seconds).



Frost warning

The temperature in the pump was or is below 4 °C. Put pump out of operation (see 6. Storage).

By pressing the **right button** and then confirming with the centre button **OK**, the normal operating display can be called up again.

5. Menu settings

Various pump functions can be called up and adjusted in the main menu.

Main menu

Call up the main menu (Electronic Pressure Pump in operation):
→ Press the **centre** and **right buttons simultaneously**, until the main menu is shown in the display.

Call up the main menu (Electronic Pressure Pump not in operation):
→ Keep the **centre** and **right buttons** pressed **simultaneously**, switch on the pump and wait until the main menu is shown in the display.

As long as the main menu is opened, the Electronic Pressure Pump interrupts operation for safety reasons.



The main menu has 4 menus:

1. Language
2. Info menu
3. Settings
4. Exit

→ Select the required menu with the **left** or **right button** and call up with the **centre button**.



1. Language

The display language can be selected in the “Language” menu.

→ Select the language with the **left** or **right button** and confirm with the **centre button**.



2. Info menu

The “Info menu” has 3 submenus:

2.1. Overview

2.1. Overview

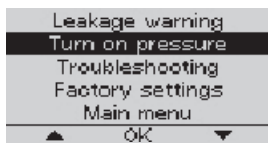
In the “Overview” submenu, the total delivery capacity, the partial delivery capacity (“Temp. Volume”), the turn on pressure, the leakage warning, the diagnosis system and the pump temperature are shown.

In the “Reset” submenu, the partial delivery capacity (“Temp. Volume”) can be reset to 0 and/or the min./max. pump temperature (Reset).

2.2. Reset

Leads back to main menu.

2.3. Main menu



3. Settings

The “Settings” menu has 5 submenus:

3.1. Leakage warning

3.1. Leakage warning (Low quantity programme)

3.2. Turn on pressure

3.3. Troubleshooting

3.4. Factory settings

3.5. Main menu

In the “Leakage warning” submenu, the alert time of the leakage warning can be set. The leakage warning can be triggered after either 60 minutes or 2 minutes. The leakage warning can be switched off under “Off”.



The set leakage warning parameters have a direct influence on operation in the low quantity programme. Connecting devices (e.g. modern washing machines, drip irrigation systems, etc.) with low water consumption can be operated as follows:

Settings	Use	Operating duration
“ON (60 min)”	As Low quantity programme for consumers with low water consumption (e.g. washing machines, drip irrigation systems).	→ Up to 60 minutes (Leakage warning is, if applicable, triggered after 60 minutes).
“ON (2 min)”	As maximum protection against drip water leakages.	→ Drip water alert after 2 minutes.
“OFF”	As Small amount programme for consumers with low water consumption (e.g. washing machines, drip irrigation systems).	→ Unlimited (Note: No leakage warning in this mode).

Note: The cyclical activation and deactivation of the Electronic Pressure Pump in small amount mode is due to the system design and does not have any impact on pump life.

3.2. Turn on pressure

In the “Turn on pressure” submenu, the cut-in pressure is set to the maximum value at the factory. It can be reduced in 0.2 bar steps to 2.0 bar.

3.3. Troubleshooting

In the “Troubleshooting” menu, the troubleshooting can be switched on and off. When the troubleshooting is switched on, the most frequent causes and their remedies are shown directly in the display. When the troubleshooting is switched off, only the error code will appear on the display. Under “8. Troubleshooting”, the appropriate causes and remedies can be found.

3.4. Factory settings

All settings can be reset to the delivery status in the “Factory settings” submenu. On reset, the leakage warning is set to 60 minutes, the cut-in pressure (“Turn on pressure”) is set to the maximum value and the troubleshooting to “On”.

3.5. Main menu

Leads back to main menu.

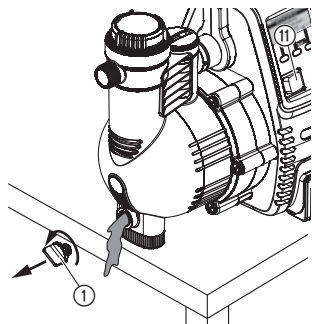
4. Exit

Closes the main menu.

The pump can now be restarted.

6. Storage

To put into storage:



If there is a risk of frost, the Electronic Pressure Pump must be emptied and stored where it will not become frozen. Store out of the reach of children.

1. Change the switch ① to **O**.
2. Unplug the mains connection for the pump.
3. Open the delivery side consumer.
4. Remove the connected hoses on the pressure and suction sides.
5. Unscrew drain bolt ①.
6. Tilt the pump to the suction and pressure side until water is no longer discharged from either side.
7. Store the pump in a frost-free, dry place.

Disposal:
(in accordance with
RL2012/19/EC)



The product must not be disposed of to normal household waste. It must be disposed of in line with local environmental regulations.
→ Dispose of the product through or via your municipal recycling collection centre.

7. Maintenance

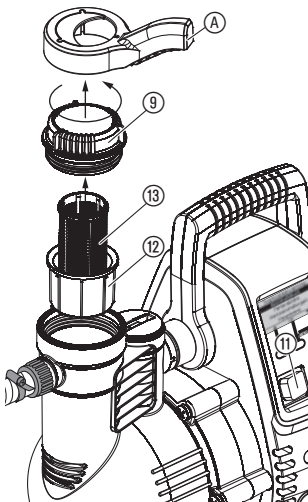


Danger! Electric shock!

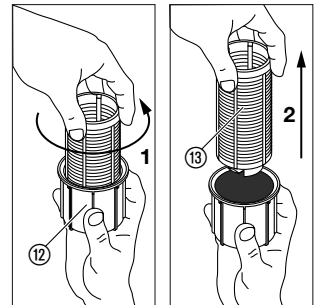
Risk of injury due to electric shock!

→ Pull out mains plug before undertaking any maintenance.

Clean built-in filter:

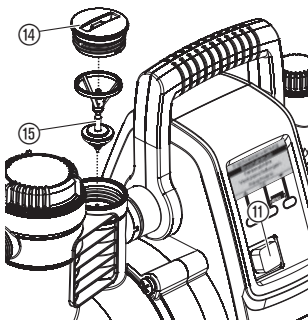


1. Change the switch ⑪ to **O**.
2. Disconnect mains plug.
3. If necessary, close all the shut-off devices on the intake side.
4. Unscrew the lid ⑨ of the filter chamber with the spanner ① provided.
5. Draw out filter unit ⑫ ⑬ vertically upwards.
6. Hold cup ⑫ firmly, turn filter ⑬ anti-clockwise **1** and draw out **2** (bayonet fitting).



7. Hold cup ⑫ under running water and clean the filter ⑬ e.g. with a soft brush.
8. Refit filter again in reverse order.
9. Switch Electronic Pressure Pump on again (see 4. Operation).

Cleaning the check valve:



1. Change the switch ⑪ to **O**.
2. Disconnect mains plug.
3. If necessary, close all valves on the intake side.
4. Open all tapping points so that the pressure side is depressurised. Then close the tapping points again in order to prevent the connected lines running empty via the Electronic Pressure Pump.
5. Screw out the cover ⑭ of the check valve using a suitable tool.
6. Remove the valve body ⑮ and wash it under running water.
7. Refit check valve again in reverse order.
8. Verify that the check valve is able to move freely.
9. Switch Electronic Pressure Pump on again (see 4. Operation).

CAUTION!

Do not operate the pump without the check valve.



DANGER! Electric shock!

→ **Unplug the cable at the mains before troubleshooting.**

Work on the electrical parts must only be carried out by GARDENA Service Centres.

Error diagnosis system

In case of a fault, the error diagnosis system shows the appropriate fault statuses and their remedies via different display images.

- ⊗ ERROR 1
- Pump not filled
- Pump blocked
- Pump outlet closed

ACTION

- ⊗ ERROR 2
- Problem on suction side
- Motor overheated

ACTION

- ⊗ ERROR 3
- Problem on suction side
- Motor overheated

ACTION

- ⊗ ERROR 4
- Small leakage warning triggered

ACTION

Problem during commissioning.

(In case of fault, display appears 30 seconds after the Electronic Pressure Pump is switched on)

Problem during commissioning.

(In case of fault, display appears 6 minutes after the Electronic Pressure Pump is switched on)

Problem during running operation.

(In case of fault, display appears 30 seconds after the Electronic Pressure Pump is switched on)

Problem during running operation.

(In case of fault, display appears, depending on the setting, 2 or 60 minutes after the Electronic Pressure Pump is switched on)

If one of the 4 errors has occurred, the most frequent causes and their remedies can be called up in the display under "ACTION".

Please note:

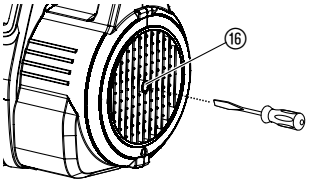
Prior to searching for a fault, the Electronic Pressure Pump must always be disconnected from the mains. However, the error display is retained even after switching the Electronic Pressure Pump off and on again, so that further remedy displays can be called up. After inspection of each suggested remedy measure, the error display can be reset by pressing "RESET" and the Electronic Pressure Pump can be restarted.

Problem	Possible Cause	Remedy
<div style="border: 1px solid black; padding: 5px;"> <p>✘ ERROR 1</p> <ul style="list-style-type: none"> - Pump not filled - Pump blocked - Pump outlet closed <p style="text-align: center; margin-top: 5px;">ACTION</p> </div>		
The pump sucks nothing up	Pump was not sufficiently filled with liquid to be pumped.	→ Fill and secure the pump so that water does not drain out on the pressure side during the suctioning process (see 4. Operation).
	Air cannot escape on the pressure side, because the pressure side outlets are closed.	→ Open the pressure side outlets (see 4. Operation).
Pump motor does not start	Thermal circuit breaker activated and the pump housing is heated.	<ol style="list-style-type: none"> 1. Change the switch to O. 2. Open possible existing shut-off device in the pressure line (release pressure). 3. Ensure sufficient ventilation and allow the pump to cool for approx. 20 min. 4. Restart the pump (see 4. Operation).
	Pump is blocked.	→ Manually remove the blockage (see “ <i>loosen impellers</i> ”). → Allow the pump to cool down for 20 minutes.
Flow Sensor signal faulty	Flow Sensor blocked.	→ Clean Flow Sensor (see “ <i>Clean Flow Sensor</i> ”).
<div style="border: 1px solid black; padding: 5px;"> <p>✘ ERROR 2</p> <ul style="list-style-type: none"> - Problem on suction side - Motor overheated <p style="text-align: center; margin-top: 5px;">ACTION</p> </div>		
The pump sucks nothing up	Problem on pump side.	→ Immerse suction hose end under water, → eliminate any leak on the suction side, → clean check valve on the suction line and check the mounting direction, → clean suction filter on the suction hose end, → clean filter lid seal and screw lid until the stopper (see 7. Maintenance), → clean fine-mesh filter in the pump.

Problem	Possible Cause	Remedy
The pump sucks nothing up	Suction hose deformed.	→ Use a new suction hose.
Pump motor does not start	Thermal circuit breaker activated (motor overheated).	→ Allow the pump to cool down for 20 minutes.
<div style="background-color: #e0e0e0; padding: 5px;"> <p>✖ ERROR 3 - Problem on suction side - Motor overheated</p> <hr/> <p style="text-align: center;">ACTION</p> </div>		
Water supply disrupted on the suction side	Problem on pump side.	→ Immerse suction hose end under water, → eliminate leak on the suction side, → clean check valve on the suction line and check the mounting direction, → clean suction filter on the suction hose end, → clean filter lid washer and screw lid until the stop (see 7. Maintenance), → clean fine-mesh filter in the pump.
	Suction hose bent.	→ Use a new suction hose.
Flow Sensor signal faulty	Flow Sensor blocked.	→ Clean Flow Sensor (see "Clean Flow Sensor").
Pump motor does not start anymore	Thermal circuit breaker activated (motor overheated).	→ Allow the pump to cool down for 20 minutes.
<div style="background-color: #e0e0e0; padding: 5px;"> <p>✖ ERROR 4 - Small leakage warning triggered</p> <hr/> <p style="text-align: center;">ACTION</p> </div>		
Leakage warning activated	Leak on pressure side (e.g. dripping tap).	→ Eliminate leak on pressure side.
	Maximum operating time of set leakage warning/low quantity programme exceeded.	→ Change "Water drip alert" settings. → Increase water consumption.
	Check valve contaminated.	→ Clean check valve in pump (see 7. Maintenance).
	Flow meter contaminated.	→ Clean flow meter in pump (see 7. Maintenance).
Pump motor does not start or stops suddenly during operation	Switch is not turned to I.	→ Restart the pump (see 4. Operation).
	Mains plug not plugged in.	→ Insert mains plug into a mains socket (230 V AC).
	Power failure.	→ Check fuse and cables.

Problem	Possible Cause	Remedy
Remedy measures are not shown	Troubleshooting not activated.	→ Switch Troubleshooting to “On” (see 5. Menu settings).
No display	FI was triggered because fault current was detected.	→ Disconnect pump and contact GARDENA Service.
	Power failure.	→ Check fuse and cables.
	Electrical interruption.	→ Send pump to GARDENA Service.
	Direct sun irradiation (display temperature > 65 °C).	→ The function is retained. The display appears once the temperature has dropped.

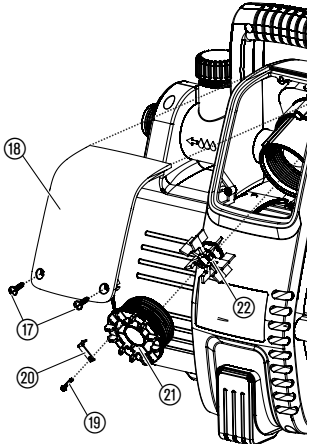
Free the impeller:



An impeller blocked by dirt can be freed again.

→ Turn motor shaft ⑩ using a screw driver.
This will free the blocked impeller.

Cleaning the flow sensor:



If the flow sensor is dirty, this may result in wrong error messages (Info-LED).

1. Unscrew both screws ⑰.
2. Remove the cover ⑱.
3. Undo the screw ⑲ and detach the clip ⑳.
4. Unscrew the cap ㉑ anticlockwise (e.g. by using a screwdriver).
5. Remove the impeller ㉒ and clean it. Clean the housing of the flow sensor.
6. Re-fit the impeller ㉒ with the metal part in the mounting direction.
7. Screw the cap ㉑ into place clockwise.
8. Secure the cap ㉑ by way of the clip ⑳ using the screw ⑲.
9. First insert the cover ⑱ at the top and then tighten the two screws ⑰ at the bottom.



For any other malfunctions please contact the GARDENA service department. Repairs must only be carried out by GARDENA service departments or specialist dealers authorised by GARDENA.

9. Available accessories

GARDENA Suction Hoses	Kink and vacuum-resistant, sold by the metre with 19 mm (3/4"), 25 mm (1") or 32 mm (5/4") diameter without fittings or in fixed lengths Art. no. 1411/1418, complete with fittings, suction filter and backflow preventer.	
GARDENA Suction Hose Fittings	For vacuum-resistant connection of the pump to the suction hose sold by the metre.	Art. no. 1723/1724
Suction Filter with Backflow Preventer	To equip suction hoses with Backflow Preventer sold by the metre.	Art. no. 1726/1727
GARDENA Pump Preliminary Filter	Recommended for pumping sandy water.	Art. no. 1730/1731
GARDENA Bore Hole Suction Hose	For vacuum-resistant connection of the pump to boreholes or pipe networks. Length 0.5 m. With 33.3 mm (G1) female thread at both ends.	Art. no. 1729
GARDENA Connection Set	Connection Set for 1/2" Pressure Hoses	Art. no. 1750
GARDENA Connection Set	Connection Set for 3/4" Pressure Hoses	Art. no. 1752

10. Technical Data

Type	Comfort 5000/5E LCD (Art. no. 1759)	Premium 6000/6E LCD Inox (Art. no. 1760)
Voltage/Frequency	230 V AC / 50 Hz	230 V AC / 50 Hz
Rated power / Standby consumption	1300 W / 1.5 W	1300 W / 1.5 W
Connection cable	1.5 m H07RN-F	1.5 m H07RN-F
Max. delivery capacity	5000 l/h	6000 l/h
Max. pressure / max. delivery head	5.0 bar / 50 m	5.5 bar / 55 m
Max. suction height	8 m	8 m
Cut-in pressure	2.0 – 2.8 ± 0.2 bar	2.0 – 3.2 ± 0.2 bar
Perm. internal pressure (delivery side)	6 bar	6 bar
Weight	13.3 kg	15.2 kg
Dimensions (L x W x H)	47 cm x 26 cm x 34 cm	47 cm x 26 cm x 34 cm
Sound power level $L_{WA}^{1)}$ (measured / guaranteed) Uncertainty $K_{WA}^{1)}$	77 dB(A) / 79 dB(A) 2.19 dB(A)	73 dB(A) / 76 dB(A) 2.58 dB(A)

¹⁾ Measuring process complying with RL 2000/14/EG

11. Service/Warranty

Service:

Please contact the address on the back page.

Warranty:

In the event of a warranty claim, no charge is levied to you for the services provided.

GARDENA Manufacturing GmbH offers a two-year warranty (effective as of the date of purchase) for this product. This warranty includes all significant defects of the product that can be proved to be material or manufacturing faults. This warranty is fulfilled by supplying a fully functional replacement product or by repairing the faulty product sent to us free of charge; we reserve the right to choose between these options. This service is subject to the following provisions:

- The product was used for its intended purpose as per the recommendations in the operating instructions.

- Neither the purchaser nor a third party has attempted to repair the product.

This manufacturer's warranty does not affect warranty entitlements against the dealer/retailer.

If problems arise with this product, please contact our Service department or send the defective product along with a brief description of the fault to GARDENA Manufacturing GmbH, making sure to have sufficiently covered any shipping costs and to have followed the relevant postage and packaging guidelines. A warranty claim must be accompanied by a copy of the proof of purchase.

Consumables:

The impellers, filter and jet nozzles, which are subject to wear, are excluded from the warranty.

DE Produkthaftung

Wir weisen ausdrücklich darauf hin, dass wir in Übereinstimmung mit dem Produkthaftungsgesetz nicht für Schäden haften, die durch unsere Produkte entstehen, wenn diese unsachgemäß und nicht durch einen von uns autorisierten Servicepartner repariert wurden oder wenn keine Original GARDENA Teile oder von uns zugelassene Teile verwendet wurden.

EN Product liability

In accordance with the German Product Liability Act, we hereby expressly declare that we accept no liability for damage incurred from our products where said products have not been properly repaired by a GARDENA-approved service partner or where original GARDENA parts or parts authorised by GARDENA were not used.

FR Responsabilité

Conformément à la loi relative à la responsabilité du fait des produits défectueux, nous déclarons expressément par la présente que nous déclinons toute responsabilité pour les dommages résultant de nos produits, si lesdits produits n'ont pas été correctement réparés par un partenaire d'entretien agréé GARDENA ou si des pièces d'origine GARDENA ou des pièces agréées GARDENA n'ont pas été utilisées.

NL Productaansprakelijkheid

Conform de Duitse wet inzake productaansprakelijkheid verklaren wij hierbij uitdrukkelijk dat wij geen aansprakelijkheid aanvaarden voor schade ontstaan uit onze producten waarbij deze producten niet zijn gerepareerd door een GARDENA-erkende servicepartner of waarbij geen originele GARDENA-onderdelen of onderdelen die door GARDENA zijn goedgekeurd zijn gebruikt.

SV Produktsvar

I enlighet med tyska produktansvarslagar förklarar vi härmed uttryckligen att vi inte åtar oss något ansvar för skador som orsakas av våra produkter där produkterna inte har genomgått korrekt reparation från en GARDENA-godkänd servicepartner eller där originaldelar från GARDENA eller delar godkända av GARDENA inte använts.

DA Produktsvar

I overensstemmelse med den tyske produktansvarslov erklærer vi hermed udtrykkeligt, at vi ikke påtager os noget ansvar for skader på vores produkter, hvis de pågældende produkter ikke er blevet repareret korrekt af en GARDENA-godkendt servicepartner, eller hvor der ikke er brugt originale GARDENA-reservedele eller godkendte reservedele fra GARDENA.

FI Tuotevastuu

Saksan tuotevastuulain mukaisesti emme ole vastuussa laitteiden vaurioista, jos korjauksia ei ole tehnyt GARDENAn hyväksymä huoltoliike tai jos niiden syynä on muiden kuin alkuperäisten GARDENA-varaosien tai GARDENAn hyväksymien varaosien käyttö.

IT Responsabilità del prodotto

In conformità con la Legge tedesca sulla responsabilità del prodotto, con la presente dichiariamo espressamente che decliniamo qualsiasi responsabilità per danni causati dai nostri prodotti qualora non siano stati correttamente riparati presso un partner di assistenza approvato GARDENA o laddove non siano stati utilizzati ricambi originali o autorizzati GARDENA.

ES Responsabilidad sobre el producto

De acuerdo con la Ley de responsabilidad sobre productos alemana, por la presente declaramos expresamente que no aceptamos ningún tipo de responsabilidad por los daños ocasionados por nuestros productos si dichos productos no han sido reparados por un socio de mantenimiento aprobado por GARDENA o si no se han utilizado piezas originales GARDENA o piezas autorizadas por GARDENA.

PT Responsabilidade pelo produto

De acordo com a lei alemã de responsabilidade pelo produto, declaramos que não nos responsabilizamos por danos causados pelos nossos produtos, caso os tais produtos não tenham sido devidamente reparados por um parceiro de assistência GARDENA aprovado ou se não tiverem sido utilizadas peças GARDENA originais ou peças autorizadas pela GARDENA.

PL Odpowiedzialność za produkt

Zgodnie z niemiecką ustawą o odpowiedzialności za produkt, niniejszym wyraźnie oświadczamy, że nie ponosimy żadnej odpowiedzialności za szkody poniesione na skutek użytkowania naszych produktów, w przypadku gdy naprawa tych produktów nie była odpowiednio przeprowadzana przez zatwierdzonego przez firmę GARDENA partnera serwisowego lub nie stosowano oryginalnych części GARDENA albo części autoryzowanych przez tę firmę.

HU Termékszavatosság

A németországi termékszavatossági törvénnyel összhangban ezzel nyomatékosan kijelentjük, hogy nem vállalunk felelősséget a termékeinkben keletkezett olyan károkért, amelyek valamely GARDENA által jóváhagyott szervizpartner által nem megfelelően végzett javításból adódtak, vagy amely során nem eredeti GARDENA alkatrészeket vagy a GARDENA által jóváhagyott alkatrészeket használtak fel.

CS Odpovědnost za výrobek

V souladu s německým zákonem o odpovědnosti za výrobek tímto výslovně prohlašujeme, že nepřijímáme žádnou odpovědnost za poškození vzniklá na našich výrobcích, kdy zmíněné výrobky nebyly řádně opraveny schváleným servisním partnerem GARDENA nebo kdy nebyly použity originální náhradní díly GARDENA nebo náhradní díly autorizované společností GARDENA.

SK Zodpovednosť za produkt

V súlade s nemeckými právnymi predpismi upravujúcimi zodpovednosť za výrobok týmto výslovne prehlasujeme, že nenesieme žiadnu zodpovednosť za škody spôsobené našimi výrobkami, v prípade ktorých neboli náležité opravy vykonané servisným partnerom schváleným spoločnosťou GARDENA alebo neboli použité diely spoločnosti GARDENA alebo diely schválené spoločnosťou GARDENA.

EL Ευθύνη προϊόντος

Σύμφωνα με τον γερμανικό νόμο περί Ευθύνης για τα Προϊόντα, με το παρόν δηλώνουμε ρητώς ότι δεν αποδεχόμαστε καμία ευθύνη για τυχόν ζημιές που προκύπτουν από τα προϊόντα μας εάν αυτά δεν έχουν επισκευαστεί σωστά από κάποιον εγκεκριμένο συνεργάτη επισκευών της GARDENA ή εάν δεν έχουν χρησιμοποιηθεί αυθεντικά εξαρτήματα GARDENA ή εξαρτήματα εγκεκριμένα από την GARDENA.

SL Odgovornost proizvajalca

V skladu z nemškimi zakoni o odgovornosti za izdelke, izrecno izjavljajo, da ne sprejemamo nobene odgovornosti za škodo, ki jo povzročijo naši izdelki, če teh niso ustrezno popravili GARDENINI odobreni servisni partnerji ali pri tem niso bili uporabljeni originalni GARDENINI nadomestni deli ali GARDENINIMI homologiranimi nadomestnimi deli.

HR Pouzdanost proizvoda

Sukladno njemačkom zakonu o pouzdanosti proizvoda, ovime izričito izjavljujemo kako ne prihvaćamo nikakvu odgovornost za oštećenja na našim proizvodima nastala uslijed neispravnog popravka od strane servisnog partnera kojeg odobrava GARDENA ili uslijed nekorištenja originalnih GARDENA dijelova ili dijelova koje odobrava GARDENA.

RO Răspunderea pentru produs

În conformitate cu Legea germană privind răspunderea pentru produs, declarăm în mod expres prin prezentul document că nu acceptăm nicio răspundere pentru defecțiunile suferite de produsele noastre atunci când acestea nu au fost reparate în mod corect de un atelier de service partener, aprobat de GARDENA, sau când nu au fost utilizate piese GARDENA originale sau piese autorizate de GARDENA.

BG Отговорност за вреди, причинени от стоки

Съгласно германския Закон за отговорността за вреди, причинени от стоки, с настоящото изрично декларираме, че не носим отговорност за щети, причинени от нашите продукти, ако те не са били правилно ремонтирани от одобрен от GARDENA сервиз или ако не са използвани оригинални части на GARDENA или части, одобрени от GARDENA.

ET Tootevastutus

Vastavalt Saksamaa tootevastutusseadusele deklareerime kaesolevaga selgesõnaliselt, et me ei kannu mingisugust vastutust meie toodetest tingitud kahjude eest, kui need tooted ei ole korrektselt parandatud GARDENA heakskiidetud hoolduspartneri poolt või kui parandamisel ei ole kasutatud GARDENA originaalosi või GARDENA volitatud osi.

LT Gaminio patikimumas

Mes aiškiai pareiškiamo, kad, atsižvelgiant į Vokietijos gaminių patikimumo įstatymą, nepriisiame atsakomybės dėl bet kokios žalos, patirtos dėl mūsų gaminių, jeigu jie buvo netinkamai taisomi arba jų dalys buvo pakeistos neoriginaliomis GARDENA dalimis ar nepatvirtintomis dalimis, arba jeigu remonto darbai buvo atliekami ne GARDENA techninės priežiūros centro specialistų.

LV Atbildība par produkcijas kvalitāti

Saskaņā ar Vācijas likumu par atbildību par produkcijas kvalitāti ar šo mēs paziņojam, ka neuzņemamies atbildību par bojājumiem, kas radušies, lietojot mūsu izstrādājumus, kuru remontu nav veicis uzņēmuma GARDENA apstiprināts apkopes partneris vai kuru remontam netika izmantotas oriģinālās GARDENA detaļas vai detaļas, kuru lietošanu apstiprinājis uzņēmums GARDENA.

<p>DE EU-Konformitätserklärung Der Unterzeichner, Husqvarna AB, 561 82 Huskvarna, Schweden, bescheinigt hiermit, dass die nachstehend aufgeführten Geräte bei Verlassen des Werks die harmonisierten EU-Leitlinien, EU-Normen für Sicherheit und besondere Normen erfüllen. Dieses Zertifikat verliert seine Gültigkeit, wenn die Geräte ohne unsere Genehmigung verändert werden.</p>	<p>HU EK megfeleléségi nyilatkozat Alulírott Husqvarna AB, 561 82 Huskvarna, Svédország ezzel tanúsítja, hogy az alábbiakban leírt egységek a gyár elhagyásakor megfeleltek a harmonizált uniós előírásoknak és biztonsági és termékspecifikus szabványoknak. Ez a tanúsítvány érvényes veszt, ha az egységeket jóváhagyásunk nélkül átalakítják.</p>
<p>EN EC Declaration of Conformity The undersigned, Husqvarna AB, 561 82 Huskvarna, Sweden, hereby certifies that, when leaving our factory, the units indicated below are in accordance with the harmonised EU guidelines, EU standards of safety and product specific standards. This certificate becomes void if the units are modified without our approval.</p>	<p>CS Prohlášení o shodě ES Niže uvedená společnost Husqvarna AB, 561 82 Huskvarna, Švédsko, tímto potvrzuje, že při opuštění naší továrny jsou jednotky uvedené níže v souladu s harmonizačními pokyny EU, standardy EU ohledně bezpečnosti a specifickými produktovými standardy. Tento certifikát pozbyvá platnosti, pokud dojde k úpravě jednotek bez našeho schválení.</p>
<p>FR Déclaration de conformité CE Le constructeur, soussigné : Husqvarna AB, 561 82 Huskvarna, Suède, déclare qu'à la sortie de ses usines le matériel neuf désigné ci-dessous était conforme aux prescriptions des directives européennes énoncées ciaprès et conforme aux règles de sécurité et autres règles qui lui sont applicables dans le cadre de l'Union européenne. Toute modification apportée à cet appareil sans notre accord annule la validité de ce certificat.</p>	<p>SK EÚ vyhlásenie o zhode Dolu podpísaná spoločnosť Husqvarna AB, 561 82 Huskvarna, Švédsko týmto osvedčuje, že nižšie uvedené jednotky boli v súlade s harmonizačnými usmerneniami EÚ, normami EÚ v oblasti bezpečnosti a špecifickými normami týkajúcimi sa produktu v čase opustenia výrobného závodu. Toto osvedčenie stráca platnosť, ak boli jednotky zmenené bez nášho súhlasu.</p>
<p>NL EG-conformiteitsverklaring De ondergetekende, Husqvarna AB, 561 82 Huskvarna, Zweden, verklaart hierbij dat de producten die hieronder staan vermeld, wanneer ze onze fabriek verlaten, in overeenstemming zijn met de geharmoniseerde Europese richtlijnen, EU-normen voor veiligheid en productspecifieke normen. Dit certificaat vervalt als de producten worden aangepast zonder onze toestemming.</p>	<p>EL Δήλωση Συμμόρφωσης EK Η υπογεγραμμένη εταιρεία, Husqvarna AB, 561 82 Huskvarna, Σουηδία, πιστοποιεί ότι, κατά την έξοδο από το εργοστάσιο, οι μονάδες που αναφέρονται κατωτέρω συμμορφώνονται με τις ευρωπαϊκές οδηγίες ΕΕ, τα πρότυπα ασφαλείας της ΕΕ και τα συγκεκριμένα πρότυπα προϊόντος. Αυτό το πιστοποιητικό καθίσταται άκυρο εάν οι μονάδες έχουν τροποποιηθεί χωρίς την έγκρισή μας.</p>
<p>SV EG-försäkran om överensstämmelse Undertecknad firma Husqvarna AB, 561 82 Huskvarna, Sverige, intygar härmed att nedan nämnda produkter, när de lämnar vår fabrik, överensstämmer med EU:s riktlinjer, EU:s säkerhetsstandarder och produktspecifika standarder. Detta intyg skall ogiltigförklaras om produkten ändras utan vårt godkännande.</p>	<p>SL Izjava ES o skladnosti Spodaj podpisana, Husqvarna AB, 561 82 Huskvarna, Švedska, s to izjavo potrjuje, da je bila spodaj navedena enota ob izhodu iz tovarne skladna z usklajalnimi smernicami EU, standardi EU za varnost in standardi, specifičnimi za izdelek. Izjava postane neveljavna v primeru neodobrene spremembe enote.</p>
<p>DA EU-øverenstemmelseserklæring Undertegnede, Husqvarna AB, 561 82 Huskvarna, Sverige erklærer hermed, at nedenfor anførte enheder er i overensstemmelse med de harmoniserede EU-retningslinjer, EU-standarder for sikkerhed og produktspecifikke standarder, når de forlader fabrikken. Denne erklæring ugyldiggøres, hvis enhederne ændres uden vores godkendelse.</p>	<p>HR Izjava o uskladenosti EZ Niže potpisana Husqvarna AB, 561 82 Huskvarna, Švedska, ovime potvrđuje kako su u nastavku navedene jedinice prilikom napuštanja tvornice bile u skladu s uskladenim smjernicama EU, EU sigurnosnim standardima i standardima specifičnima za proizvod. Ova certifikacija poništava se ako se jedinice izmjenjuju bez odobrenja.</p>
<p>FI EY-vaatimustenmukaisuusvakuutus Husqvarna AB, 561 82 Huskvarna, Ruotsi, vakuuttaa täten, että alla mainitut laitteet ovat tehtaalta lähtiesään yhdenmukaiset EU-säännösten, EU:n turva-standardien ja tuotekohtaisten standardien mukaisia. Tämä vakuutus mitätöityy, jos laitteita muokataan ilman hyväksyntäämme.</p>	<p>RO Declarație de conformitate CE Subscrisa, Husqvarna AB, 561 82 Huskvarna, Suedia, certifică prin prezenta că, la momentul ieșirii din fabrica noastră, unitățile indicate mai jos sunt în conformitate cu directivele UE armonizate, cu standardele UE de siguranță și cu standardele specifice ale produsului. Prezentul certificat devine nul dacă unitățile sunt modificate fără aprobarea noastră.</p>
<p>IT Dichiarazione di conformità CE La sottoscritta Husqvarna AB, 561 82 Huskvarna, Svezia, certifica che il prodotto qui di seguito indicato, nei modelli da noi commercializzati, è conforme alle direttive armonizzate UE nonché agli standard di sicurezza UE e agli standard specifici di prodotto. Qualunque modifica apportata al prodotto senza nostra specifica autorizzazione invalida la presente dichiarazione.</p>	<p>BG Декларация за съответствие на ЕО С настоящото долуподписаната, Husqvarna AB, 561 82 Huskvarna, Швеция, удостоверява, че при напускане на фабриката модулите, посочени по-долу, са в съответствие с хармонизираните директиви на ЕС, стандартите на ЕС за безопасност и специфичните за продукта стандарти. Този сертификат става невалиден, ако модулите са променени без нашето одобрение.</p>
<p>ES Declaración de conformidad CE El abajo firmante, Husqvarna AB, 561 82 Huskvarna, Suecia, certifica por la presente que, cuando salen de la fábrica, las unidades indicadas a continuación cumplen las normas de armonización de la UE, las normas de la UE sobre seguridad y las normas específicas del producto. Este certificado quedará sin efecto si se modifican las unidades sin nuestra autorización.</p>	<p>ET EÜ vastavusdeklaratsioon Allkirjutatu Husqvarna AB, 561 82 Huskvarna, Rootsi, kinnitab käesolevaga, et tehased väljminek vastavalt alpool nimetatud seadmed harmoneeritud EL-i suunistele, EL-i ohutusstandarditele ja tootele eriomastele standarditele. See vastavuskiinitus kaotab kehtivuse, kui seadet muudetakse ilma meie heakskiuduta.</p>
<p>PT Declaração de conformidade CE O abaixo assinado, Husqvarna AB, 561 82 Huskvarna, Suécia, certifica por este meio que, ao sair da nossa fábrica, as unidades indicadas acima estão em conformidade com as diretivas uniformizadas da UE, os padrões de segurança da UE e os padrões específicos do produto. Este certificado deixa de ser válido se as unidades forem modificadas sem a nossa aprovação.</p>	<p>LT EB atitikties deklaracija Husqvarna AB, 561 82 Huskvarna, Sweden, garantuoja, kad iš gamyklos siunčiami toliau nurodyti įrenginiai atitinka suderintus EB reikalavimus, EB saugos ir konkretaus gamtinio standartus. Pakeičius gaminį be mūsų patvirtinimo, nutraukiamas šio sertifikato galiojimas.</p>
<p>PL Deklaracja zgodności WE Niżej podpisany przedstawiciel firmy Husqvarna AB, 561 82 Huskvarna, Szwecja, niniejszym oświadcza, że podane poniżej wyroby opuszczające fabrykę są zgodne ze zharmonizowanymi normami UE oraz z obowiązującymi w UE przepisami bezpieczeństwa i normami dotyczącymi danego produktu. Modyfikacja wyrobów bez naszej zgody powoduje unieważnienie niniejszego certyfikatu.</p>	<p>LV EK atbilstības deklarācija Uzņēmums Husqvarna AB, 561 82 Huskvarna, Zviedrija, ar parakstu apliecina, ka tālāk minētās vienības, pametot rūpniecību, atbilst saskatotajām ES vadlīnijām, ES drošības standartiem un izstrādājuma specifiskajiem standartiem. Šis sertifikāts tiek anulēts, ja šīs vienības tiek modificētas bez mūsu apstiprinājuma.</p>

Pumpen-Kennlinien

Performance characteristics

Courbes de performance

Prestatiegrafiek

Kapacitetskurva

Ydelses karakteristika

Pumpun ominaiskäyrä

Pumpekarakteristikk

Curva di rendimento

**Curva característica
de la bomba**

**Características de
performance**

Charakterystyka pompy

Szivattyú-jelleggörbe

Charakteristika čerpadla

Charakteristiky čerpadla

Χαρητηριστικό διάγραμμα

Характеристика насоса

Karakteristika črpalka

Obilježja pumpe

Karakteristika pumpe

Крива характеристики насоса

Caracteristică pompă

Pompa karakter eğrisi

Помпена характеристика

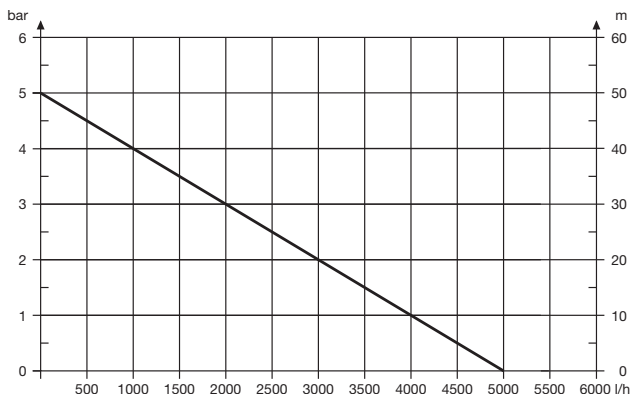
Fuqia e pompës

Pumba karakteristik

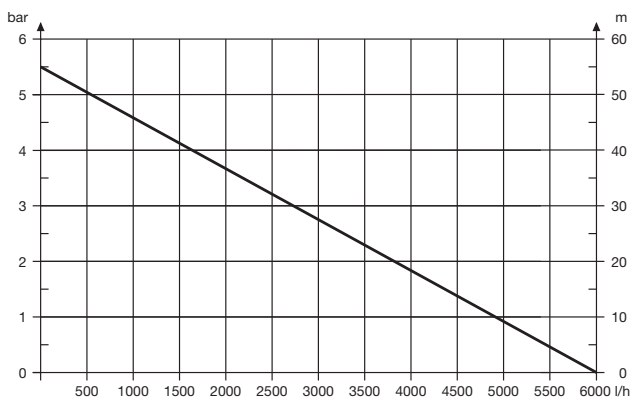
Siurblio charakterinė kreivė

Sūkņa raksturlīkne

Comfort 5000/5E LCD



Premium 6000/6E LCD Inox



Deutschland / Germany

GARDENA
Manufacturing GmbH
Central Service
Hans-Lorenser-Straße 40
D-89079 Ulm
Produktfragen:
(+49) 731 490-123
Reparaturen:
(+49) 731 490-290
service@gardena.com

Albania

COBALT Sh.p.k.
Rr. Siri Kodra
1000 Tirana

Argentina

Husqvarna Argentina S.A.
Av. del Libertador 5954 –
Piso 11 – Torre B
(C1428ARP) Buenos Aires
Phone: (+54) 11 5194 5000
info.gardena@
ar.husqvarna.com

Armenia

Garden Land Ltd.
61 Tigran Mets
0005 Yerevan

Australia

Husqvarna Australia Pty. Ltd.
Locked Bag 5
Central Coast BC
NSW 2252
Phone: (+61) (0) 2 4352 7400
customer.service@
husqvarna.com.au

Austria / Österreich

Husqvarna Austria GmbH
Industriezeile 36
4010 Linz
Tel.: (+43) 732 77 01 01-485
service.gardena@
husqvarnagroup.com

Azerbaijan

Firm Progress
a. Aliyev Str. 26A
1052 Baku

Belgium

Husqvarna België nv/sa
Gardena Division
Rue Egide Van Opthem 111
1180 Uccle / Ukkel
Tel.: (+32) 2 720 92 12
info@gardena.be

Bosnia / Herzegovina

SILK TRADE d.o.o.
Industrijska zona Bukva bb
74260 Tešanj

Brazil

Husqvarna do Brasil Ltda
Av. Francisco Matarazzo,
1400 – 19º andar
São Paulo – SP
CEP: 05001-903
Tel: 0800-112252
marketing.br.husqvarna@
husqvarna.com.br

Bulgaria

AGROLAND България АД
бул. 8 Декември, №13
Офис 5
1700 Студентски град
София
Тел.: (+359) 24666910
info@agroland.eu

Canada / USA

GARDENA Canada Ltd.
100 Summerlea Road
Brampton, Ontario L6T 4X3
Phone: (+1) 905 792 93 30
info@gardena.canada.com

Chile

Maquinarias Agroforestales
Ltda. (Maga Ltda.)
Santiago, Chile
Avda. Chesterton
8355 comuna Las Condes
Phone: (+56) 2 202 4417
Dalton@maga.cl
Zipcode: 7560330

China

Husqvarna (Shanghai)
Management Co., Ltd.
富世华 (上海) 管理有限公司
2F, Beng Square B,
No.207, Song Hong Rd.,
Chang Ning District,
Shanghai, PRC. 200335
上海市长宁区淞虹路207号明
基广场B座3楼, 邮编: 200335

Colombia

Husqvarna Colombia S.A.
Calle 18 No. 68 D-31, zona
Industrial de Montevideo
Bogotá, Cundinamarca
Tel. 571 2922700 ext. 105
jairo.salazar@
husqvarna.com.co

Costa Rica

Compania Exim
Euroberoamericana S.A.
Los Colegios, Moravia,
200 metros al Sur del Colegio
Saint Francis – San José
Phone: (+506) 297 68 83
exim_euro@racsa.co.cr

Croatia

SILK ADRIA d.o.o.
Josipa Lončara 3
10090 Zagreb
Phone: (+385) 1 3794 580
silk.adria@zg.t-com.hr

Cyprus

Med Marketing
17 Digeni Akritas Ave
P.O. Box 27017
1641 Nicosia

Czech Republic

Husqvarna Česko s.r.o.
Türkova 2319/5b
149 00 Praha 4 – Chodov
Bezplatná infolinika:
800 100 425
servis@cz.husqvarna.com

Denmark

GARDENA DANMARK
Lejrvej 19, st.
3500 Værløse
Tlf.: (+45) 70264770
husqvarna@husqvarna.dk
www.gardena.com/dk

Dominican Republic

BOSQUESA, S.R.L
Carretera Santiago Licey
Km. 5 ½
Esquina Copal II,
Santiago
Dominican Republic
Phone: (+809) 736-0333
joserbosquesa@claro.net.do

Ecuador

Husqvarna Ecuador S.A.
Arupos E1-181 y 10 de
Agosto Quito, Pichincha
Tel. (+593) 22800739
francisco.jacome@
husqvarna.com.ec

Estonia

Husqvarna Eesti OÜ
Gardena Division
Valdeku 132
Tallinn
11216, Estonia
info@gardena.ee

Finland

Oy Husqvarna Ab
Gardena Division
Lautatarhankatu 8 B / PL 3
00581 HELSINKI
info@gardena.fi

France

Husqvarna France
9/11 Allée des pierres mayettes
92635 Gennevilliers Cedex
France
http://www.gardena.com/fr
N° AZUR: 0 810 00 78 23
(Prix d'un appel local)

Georgia

ALD Group
Beliasvili 8
1159 Tbilisi

Great Britain

Husqvarna UK Ltd
Preston Road
Aycliffe Industrial Park
Newton Aycliffe
County Durham
DL5 6UP
info.gardena@
husqvarna.co.uk

Greece

Π.ΠΑΠΑΔΟΠΟΥΛΟΣ ΑΕΒΕ
Λεωφ. Αθηνών 92
Αθήνα
T.K. 104 42
Ελλάδα
Τηλ. (+30) 210 5193 100
info@papadopoulos.com.gr

Hungary

Husqvarna Magyarország Int.
Ezred u. 1-3
1044 Budapest
Telefon: (+36) 1 251-4161
vevoszolgalat.husqvarna@
husqvarna.hu

Iceland

Ó. Johnson & Kaaber
Tunguhalsi 1
110 Reykjavik
oj@ojk.is

Ireland

Husqvarna UK Ltd
Preston Road
Aycliffe Industrial Park
Newton Aycliffe
County Durham
DL5 6UP
info.gardena@
husqvarna.co.uk

Italy

Husqvarna Italia S.p.A.
Via Santa Vecchia 15
23868 VALMADRERA (LC)
Phone: (+39) 0341.203.111
assistenza.italia@
it.husqvarna.com

Japan

KAKUICHI Co. Ltd.
Sumitomo Realty &
Development Kojimachi
BLDG., 8F
5-1 Nibanncyo
Chiyoda-ku
Tokyo 102-0084
Phone: (+81) 33 264 4721
m_ishihara@kaku-ichi.co.jp

Kazakhstan

LAMED LTD
155/1, Tazhibayevoy Str.
050060 Almaty
IP Schmidt
Abayavenue 3B
11005 Kostasany

Korea

Kyung Jin Trading CO.,LTD.
107-4, SunDuk Bid.,
YangJae-dong,
Seochu-gu,
Seoul, (zipcode: 137-871)
Phone: (+82) (0)2 574-6300

Kyrgyzstan

Alye Maki
av. Molodaya Guardir J 3
720014
Bishkek

Latvia

Husqvarna Latvija SIA
Gardena Division
Ulbrokas 19A
LV-1021 Riga
info@gardena.lv

Lithuania

UAB Husqvarna Lietuva
Gardena Division
Ateities pl. 77C
LT-52104 Kaunas
info@gardena.lt

Luxembourg

Magasin Jules Neuberg
39, rue Jacques Stas
Luxembourg-Gaspersch 2549
Case Postale No. 12
Luxemburg 2010
Phone: (+352) 40 14 01
api@neuberg.lu

Mexico

AFOSA
Av. Lopez Mateos Sur # 5019
Col. La Calma 45070
Zapopan, Jalisco
Mexico
Phone: (+52) 33 3818-3434
icornejo@afosa.com.mx

Moldova

Convel S.R.L.
290A Muncetti Str.
2002 Chisinau

Netherlands

Husqvarna Nederland B.V.
GARDENA Division
Postbus 50131
1305 AC ALMERE
Phone: (+31) 36 521 00 10
info@gardena.nl

Neth. Antilles

Jonka Enterprises N.V.
Sta. Rosa Weg 196
P.O. Box 8200
Curaçao
Phone: (+599) 9 767 66 55
pgm@jonka.com

New Zealand

Husqvarna New Zealand Ltd.
PO Box 76-437
Manukau City 2241
Phone: (+64) (0) 9 9202410
support.nz@husqvarna.co.nz

Norway

Husqvarna Norge AS
Gardena Division
Trøskvenveien 36
1708 Sarpsborg
Tel: 69 10 47 00
www.gardena.no

Peru

Husqvarna Perú S.A.
Jr. Ramón Cárcamo 710
Lima 1
Tel: (+51) 1 3320400 ext. 416
juan.rumozgo@
husqvarna.com

Poland

Husqvarna
Poland Spółka z o.o.
ul. Wycsockiego 15 b
03-371 Warszawa
Phone: (+48) 22 330 96 00
gardena@husqvarna.com.pl

Portugal

Husqvarna Portugal, SA
Lagoa - Albarquega
2635 - 595 Rúa de Mouro
Tel.: (+351) 21 922 85 30
Fax : (+351) 21 922 85 36
info@gardena.pt

Romania

Madex International Srl
Soseaua Odali 117 - 123,
RO 013600 Bucuresti, S 1
Phone: (+40) 21 352.76.03
madex@ines.ro

Russia / Россия

ООО „Хускварна“
141400, Московская обл.,
г. Химки,
улица Ленинградская,
владение 39, стр.6
Бизнес Центр
„Химки Бизнес Парк“,
помещение 0B02_04
http://www.gardena.ru

Serbia

Domel d.o.o.
Autoput za Novi Sad bb
11273 Belgrade
Phone: (+381) 1 18 68 88 12
miroslav.jeljina@domel.rs

Singapore

Hy-Ray PRIVATE LIMITED
40 Jalan Pemimpin
#02-08 Tat Ann Building
Singapore 571185
Phone: (+65) 6253 2277
shiyang@hyray.com.sg

Slovak Republic

Husqvarna Cesko s.r.o.
Türkova 2319/5b
149 00 Praha 4 – Chodov
Bezplatná infolinika:
800 154 044
servis@sk.husqvarna.com

Slovenia

Husqvarna Austria GmbH
Industriezeile 36
4010 Linz
Tel.: (+43) 732 77 01 01-485
service.gardena@
husqvarnagroup.com

South Africa

Husqvarna
South Africa (Pty) Ltd
Postnet Suite 250
Private Bag X6,
Cascades, 3202
South Africa
Phone: (+27) 33 846 9700
info@gardena.co.za

Spain

Husqvarna España S.A.
Calle de Rivas nº 10
28052 Madrid
Phone: (+34) 91 708 05 00
atencioncliente@gardena.es

Suriname

Agrofix n.v.
Verlengde Hogestraat #22
Phone: (+597) 472426
agrofix@sr.net
Pobox : 2006
Paramaribo
Suriname – South America

Sweden

Husqvarna AB
Gardena Division
S-561 82 Huskvarna
info@gardena.se

Switzerland / Schweiz

Husqvarna Schweiz AG
Consumer Products
Industriestrasse 10
5506 Mägenwil
Phone: (+41) (0) 62 887 37 90
info@gardena.ch

Turkey

Dost Bahçe Diş Ticaret
Mümesillik A.Ş.
Yunus Mah. Adli Sok. No:3
Ic Kapı No: 1 Kartal
34873 Istanbul
Phone: (+90) 216 38 93 939
info@dostbahce.com.tr

Ukraine / Україна

ТОВ «Хускарна Україна»
вул. Васильківська, 34,
офіс 204-Г
03022, Київ
Тел. (+38) 044 498 39 02
info@gardena.ua

Uruguay

FELI SA
Entre Rios 1083 CP 11800
Montevideo – Uruguay
Tel: (+598) 22 03 18 44
info@felisa.com.uy

Venezuela

Corporación Casa y Jardín C.A.
Av. Caroní, Edif. Trezmen, P.B.
Colinas de Bello Monte,
1050 Caracas.
Tlf: (+58) 212 992 33 22
info@casayjardin.net.ve

1759-20.960.07/1117
© GARDENA
Manufacturing GmbH
D-89079 Ulm
http://www.gardena.com